



## LTE ANTENNA

Antenna LTE Adhesive 017L,  
2 dBi, MCX(m)90°, RG174/40cm

AO-ALTE-G017M040

SECTRON company offers a wide portfolio of LTE antennas with various versions differing in shape, level of gain and manner of attachment. SECTRON guarantees a compatible connection between an antenna and all antenna adaptors produced by SECTRON.



### BENEFITS

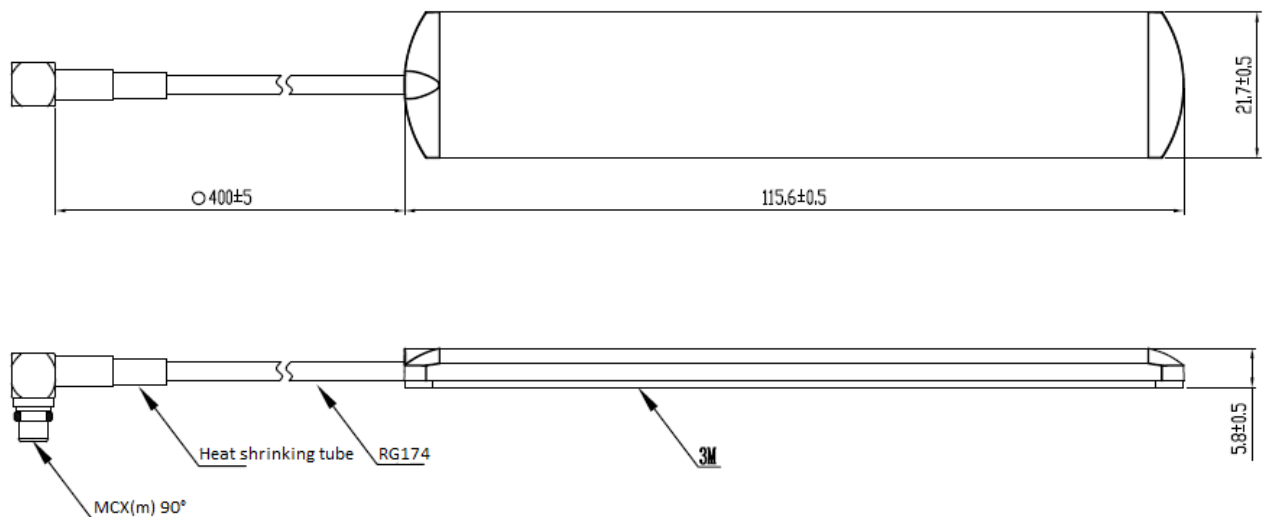
- Low VSWR
- Ultra-wide band
- Omnidirectional

## FEATURES

AO-ALTE-G017M040

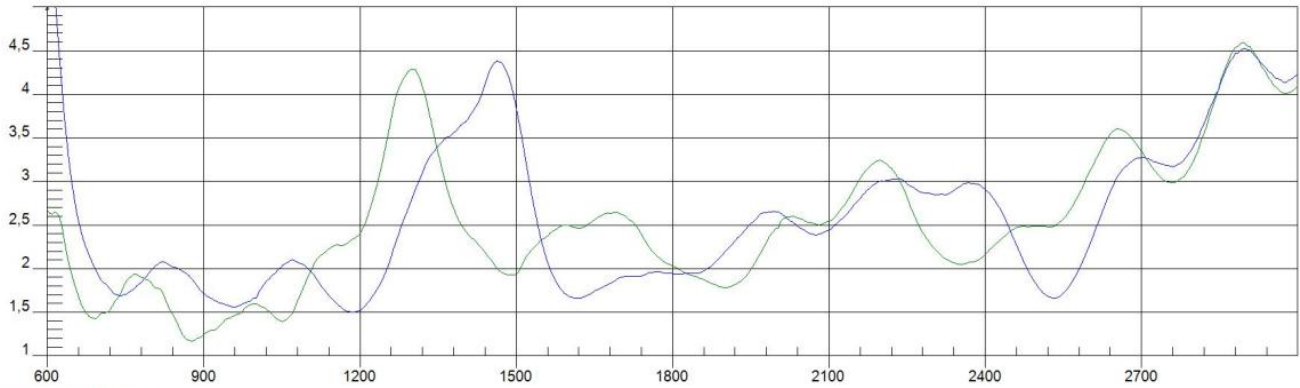
Technology	GSM/UMTS/LTE
Frequency bands	824-960/1710-2655 MHz
Bandwidth	-
Gain	2 dBi
VSWR	< 3:1
Impedance	50 Ohm
Directivity	Omnidirectional
Beam angle	Attached graphs bellow
Polarization	Linear
Maximum input power	10 W
Power voltage	-
Dimensions	115.6 x 21.7 ± 0.5 mm
Weight	17.86 g
Operating temperature	-40°C~+85 °C
Execution	External
Method of attachment	Adhesive
Cable type	RG174/U
The cable length	40 cm
Connector type	MCX(m) 90°
Certification	RoHS
Radome material	ABS

## DRAWING



**VSWR – Voltage standing wave ratio**

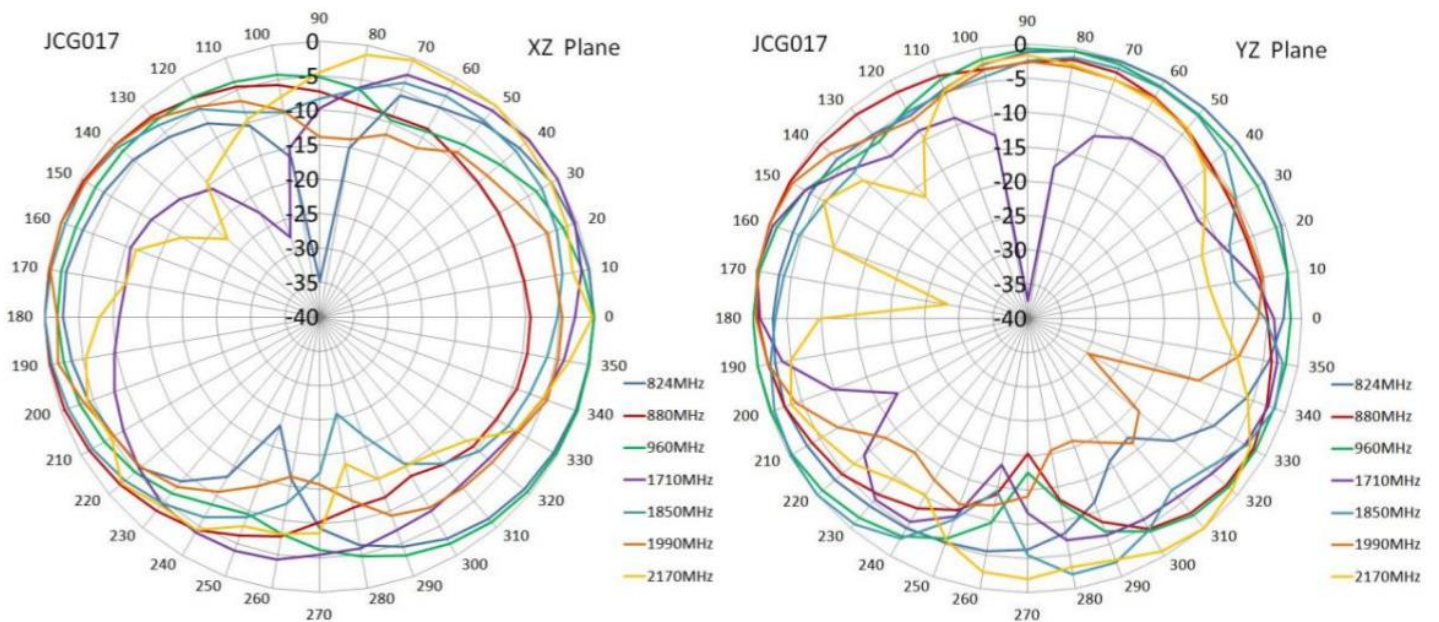
VSWR



AO\_ALTE\_G017M040\_18 wood  
AO\_ALTE\_G017M040\_18 air

Frequency(600 - 3000 MHz)

**RADIATION PATTERN - 2D**



VARIANTS

Different connector variants or cable lengths are available on request.

CONTACTS