



GSM/UTMETS/LTE ANTENNA

Antenna LTE Magnet Mount
G016L, 2 dBi, SMA(m),
RG174/3m, Whip/83mm

AO-ALTE-G016LS-B

SECTRON company offers a wide portfolio of GSM/UTMETS/LTE antennas with various versions differing in shape, level of gain and manner of attachment. SECTRON guarantees a compatible connection between an antenna and all antenna adaptors produced by SECTRON.

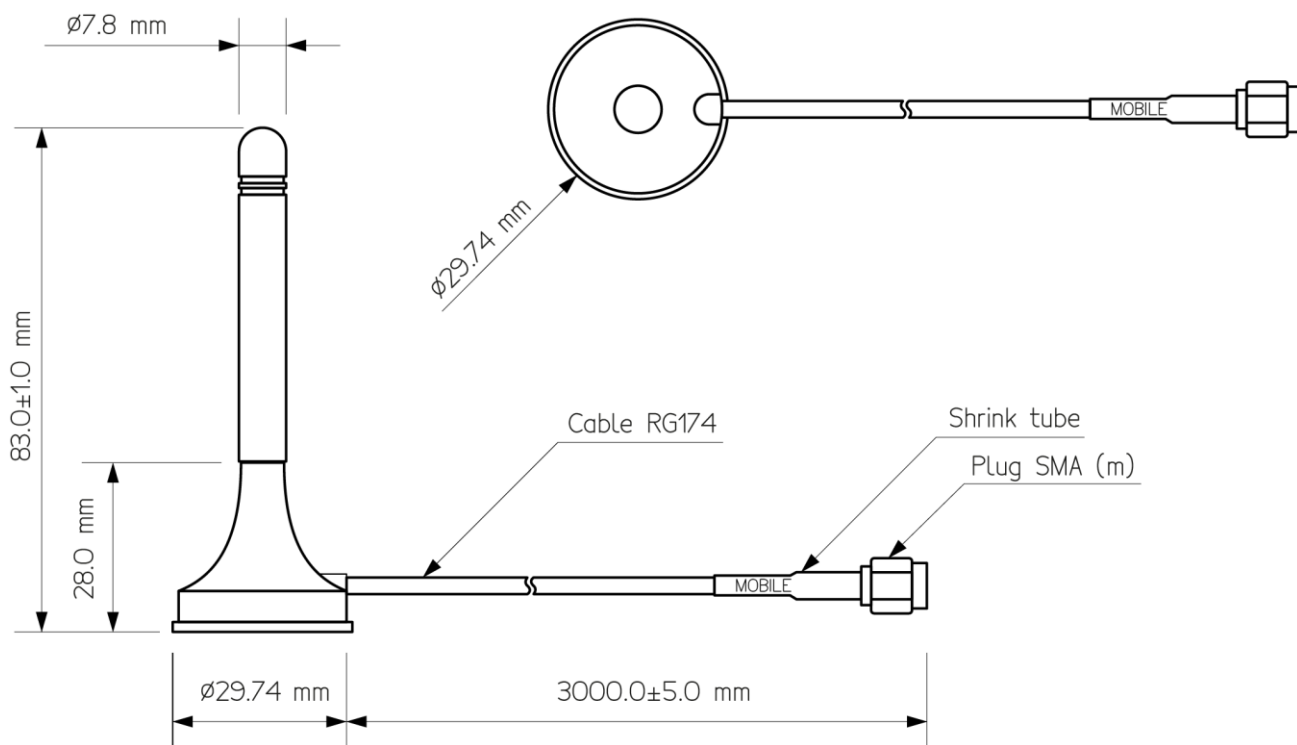


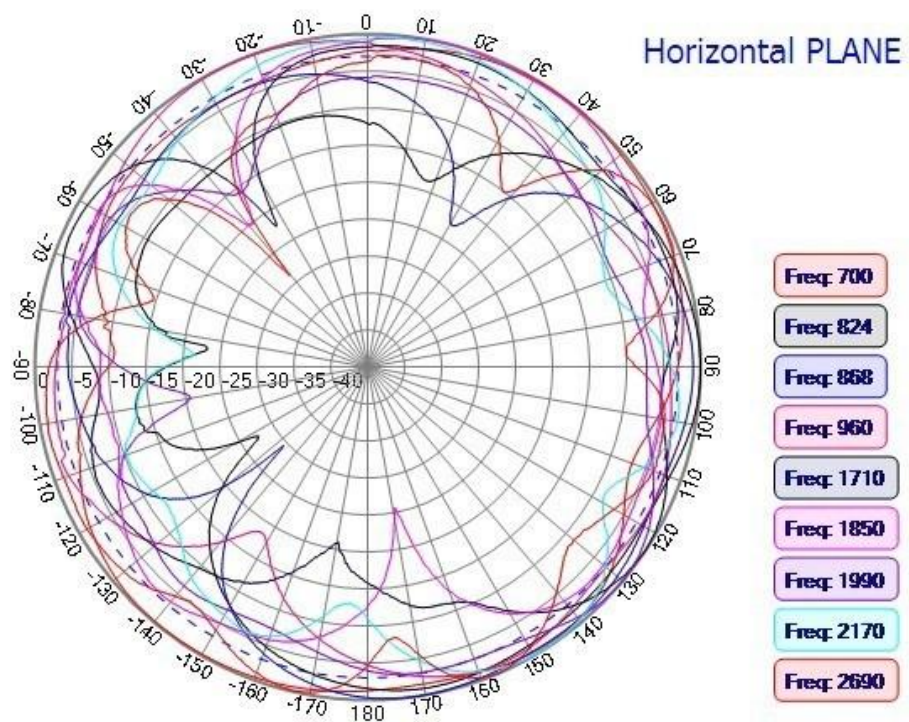
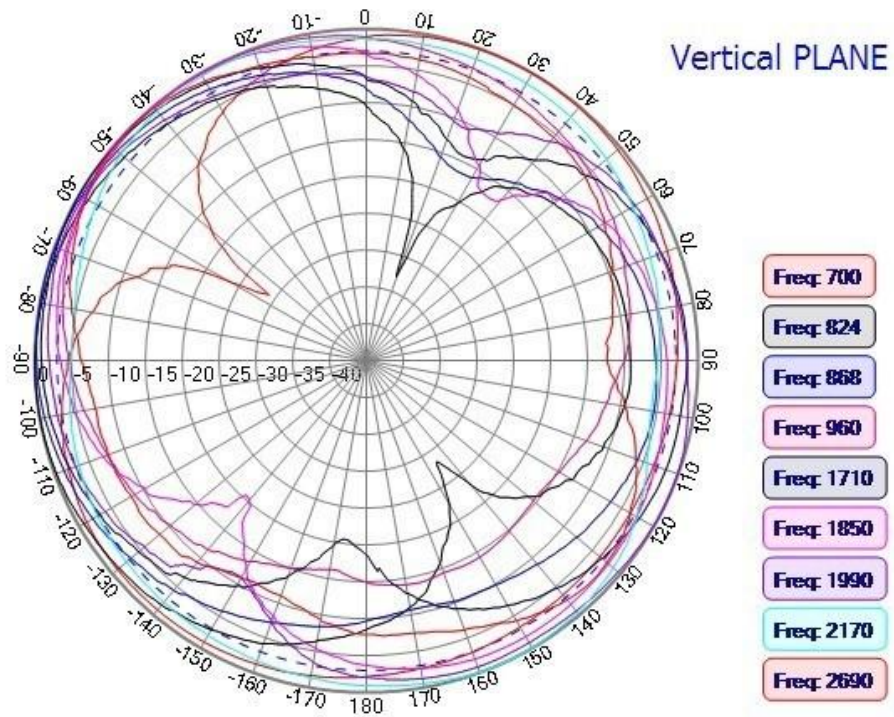
BENEFITS

- Low VSWR
- Easy installation
- Omnidirectional - suitable for moving devices

Technology	GSM/UTMITS/LTE
Frequency bands	700/800/868/1800/1900/2100/2600 MHz
Bandwidth	-
Gain	2 dBi
VSWR	<2.0:1
Impedance	50 Ohm
Directivity	Omnidirectional
Beam angle	H 360° V 30°
Polarization	Linear
Maximum input power	10 W
Power voltage	-
Dimensions	∅ 29.7 × 83.0 mm
Weight	43.97 g
Operating temperature	-40 to +85 °C
Execution	External
Method of attachment	Magnet Mount
Cable type	RG174/U
The cable length	3 m
Connector type	SMA (m)

DRAWING





CONTACTS