



## GSM/UMTS/LTE ANTENNA

Antenna LTE Connector Mount  
FSMAK3, 90°/180°, 5 dBi, SMA (m)

AO-ALTE-FSMAK3

SECTRON company offers a wide portfolio of GSM/UMTS/LTE antennas with various versions differing in shape, level of gain and manner of attachment. SECTRON guarantees a compatible connection between an antenna and all antenna adaptors produced by SECTRON.

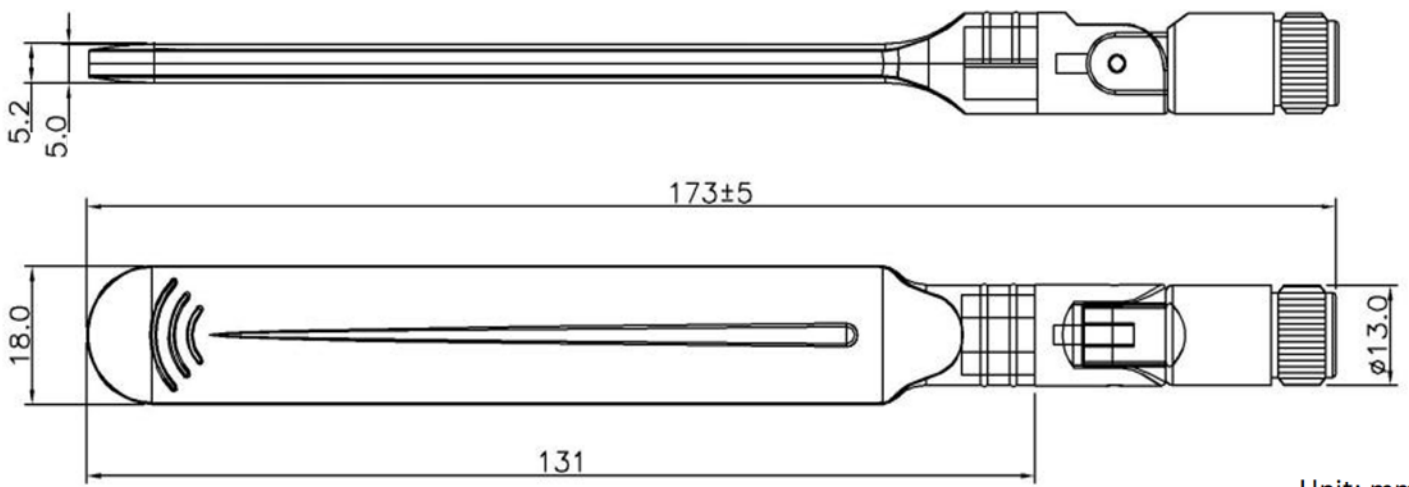


### BENEFITS

- Omnidirectional - suitable for moving devices.
- Adjustable angle
- No cable required

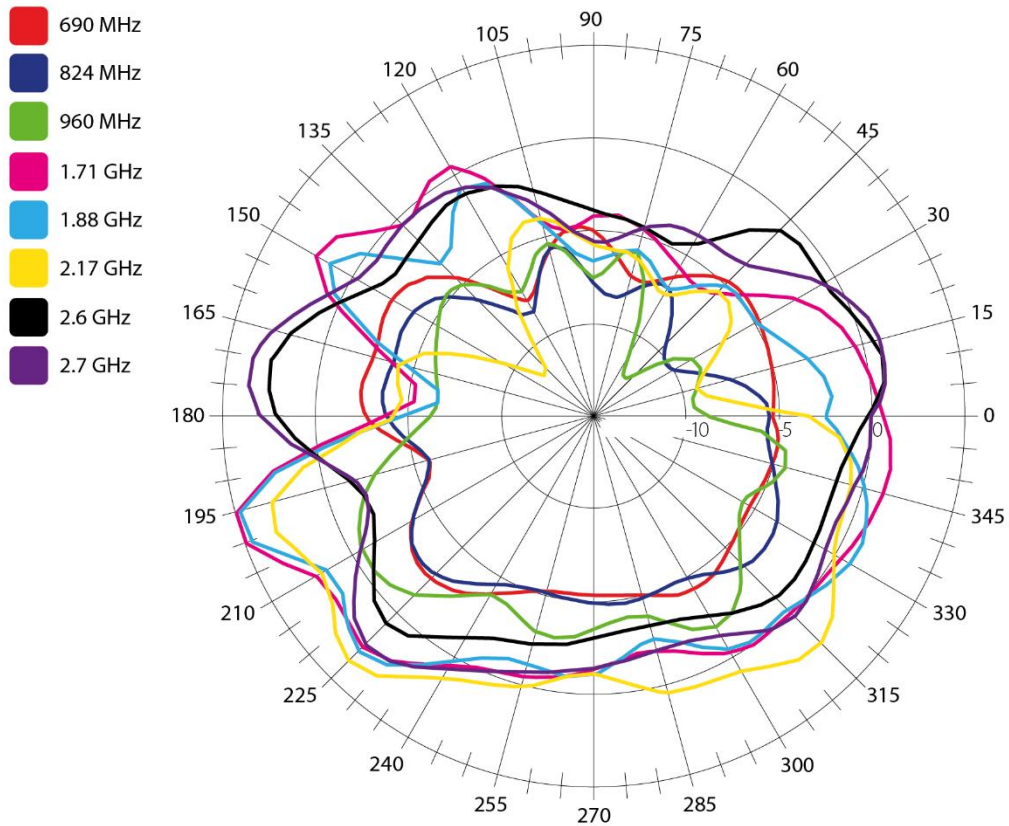
|                       |   |
|-----------------------|---|
| Technology            | GSM/UMTS/LTE  |
| Frequency bands       | 690/800/900/1800/1900/2100/2300/2400/2500/2600/2700 MHz |
| Bandwidth             | -   |
| Gain                  | 5.48 dBi  |
| VSWR                  | <2.0:1  |
| Impedance             | 50 Ohm  |
| Directivity           | Omnidirectional   |
| Beam angle            | Via attached graphs below                               |
| Polarization          | Linear  |
| Maximum input power   | 10 W  |
| Power voltage         | -   |
| Dimensions            | 173 x 18 mm   |
| Weight                | 23.74 g   |
| Operating temperature | -30°C to +90 °C   |
| Execution             | External  |
| Method of attachment  | Connector Mount   |
| Cable type            | -   |
| The cable length      | -   |
| Connector type        | SMA (m)   |

DRAWING

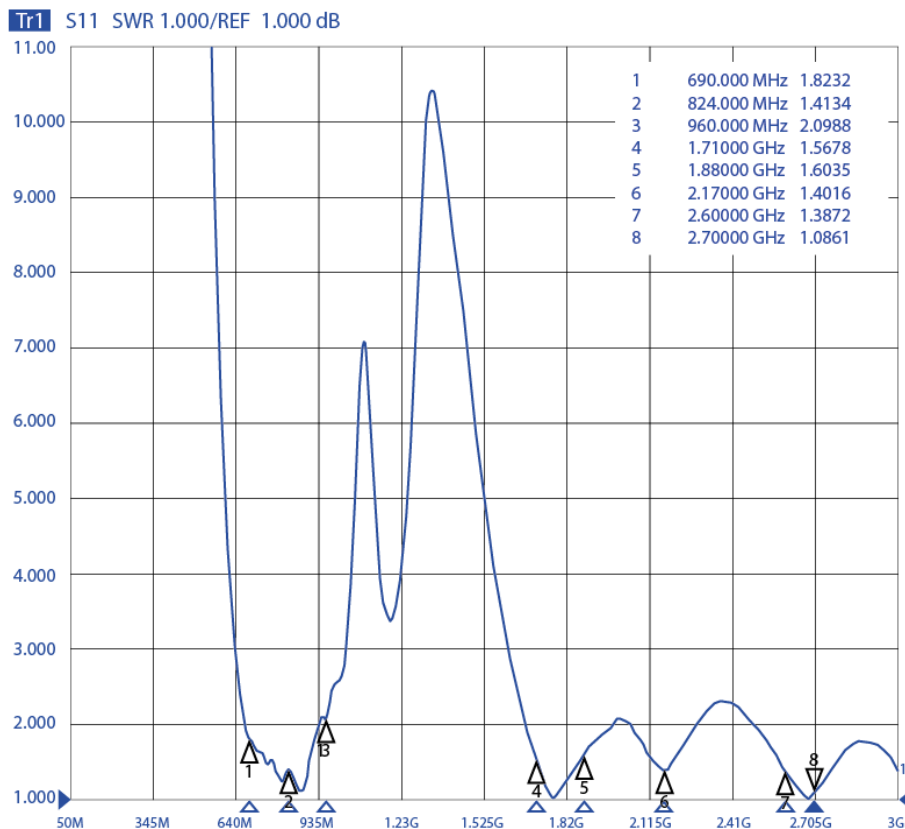


Unit: mm

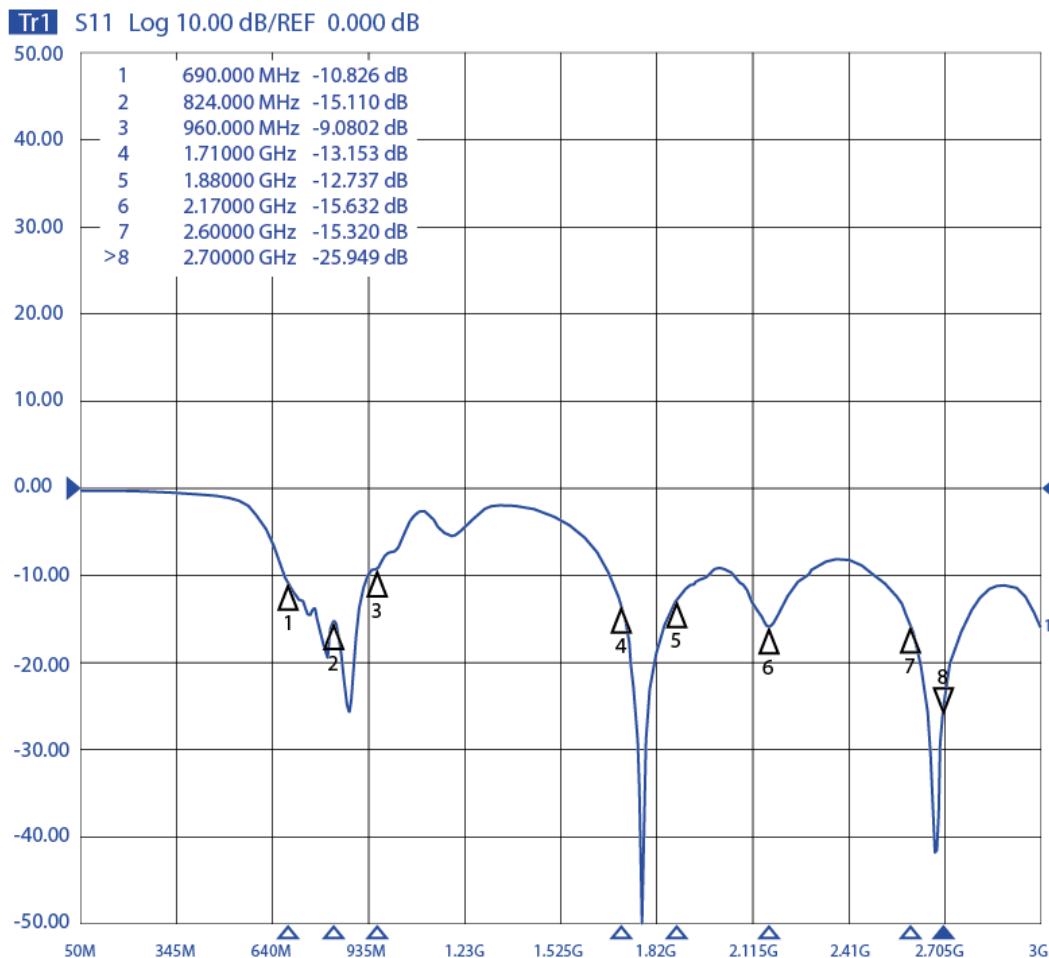
## 2D - Radiation pattern & Gain measurement



## VSWR – Voltage standing wave ratio [50Ω]



### S11 – Return loss [dB]



### SUMMARY

| Frequency [MHz] | Return Loss [dB] | VSWR [50 Ω] | Efficiency [%] | GAIN [dBi] |
|-----------------|------------------|-------------|----------------|------------|
| 690             | -10.82           | 1.82        | 36.81          | -0.88      |
| 824             | -15.11           | 1.41        | 31.48          | -1.3       |
| 960             | -9.08            | 2.09        | 36.56          | 0.24       |
| 1710            | -13.15           | 1.56        | 83.95          | 5.48       |
| 1880            | -12.73           | 1.60        | 74.13          | 5.43       |
| 2170            | -15.63           | 1.40        | 68.39          | 3.71       |
| 2600            | -15.32           | 1.38        | 76.56          | 3.13       |
| 2700            | -25.94           | 1.08        | 83.37          | 3.71       |

### CONTACTS