



LTE ANTENNA

Antenna LTE Embedded FLEX G155,
w/o cable

AO-ALTE-FPCG155

SECTRON company offers a wide portfolio of LTE antennas with various versions differing in shape, level of gain and manner of attachment. SECTRON guarantees a compatible connection between an antenna and all antenna adaptors produced by SECTRON.

BENEFITS

- Flexible design
- Adhesive mounting
- Optimized radiation pattern

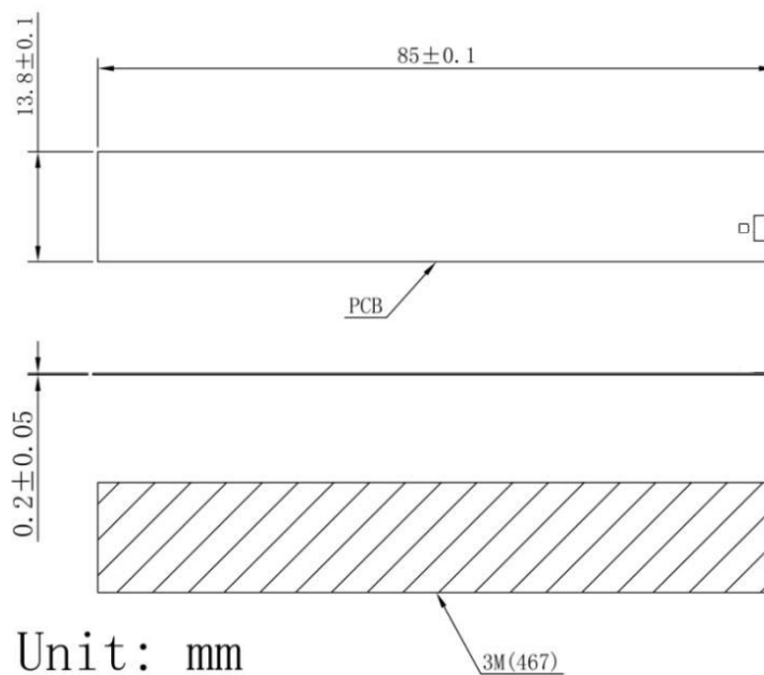


FEATURES

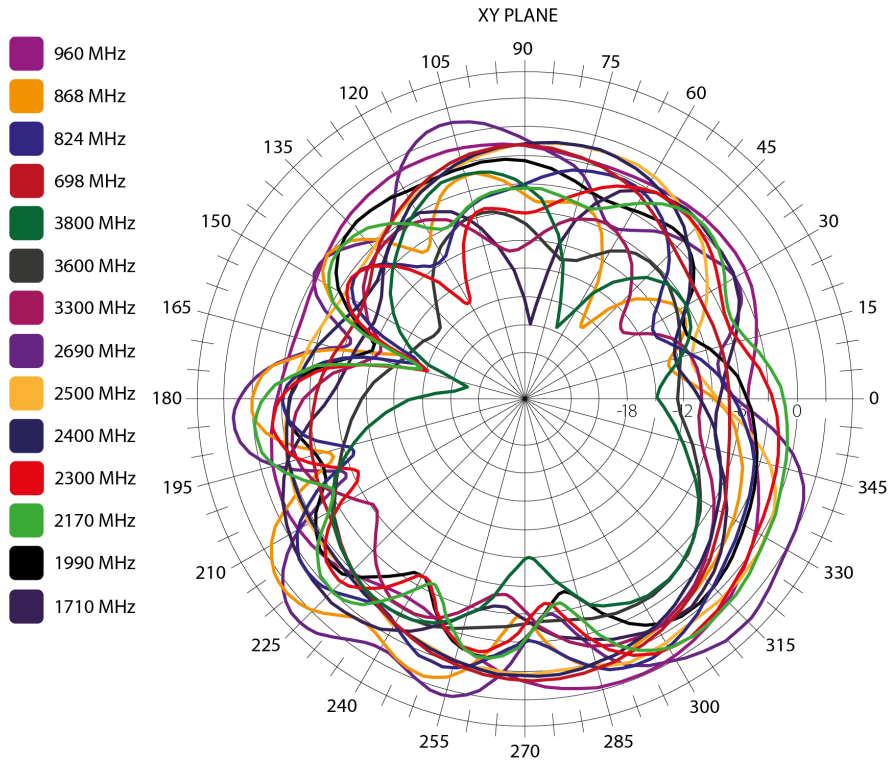
AO-ALTE-FPCG155

Technology	LTE
Frequency bands	700/800/960/1700/2100/2400/2700/3300/3600 MHz
Bandwidth	-
Gain	max. 5.2 dBi
VSWR	<3.0:1
Impedance	50 Ohm
Directivity	Omnidirectional
Beam angle	Attached graphs bellow
Polarization	Linear
Maximum input power	10 W
Power voltage	2.2-5 VDC
Dimensions	85.0 x 13.8 x 0.2 mm
Weight	- g
Operating temperature	-40 to +85 °C
Execution	External
Method of attachment	Adhesive 3M
Cable type	-
The cable length	-
Connector type	-
Certification	RoHS
IP code	-
Material	FPC

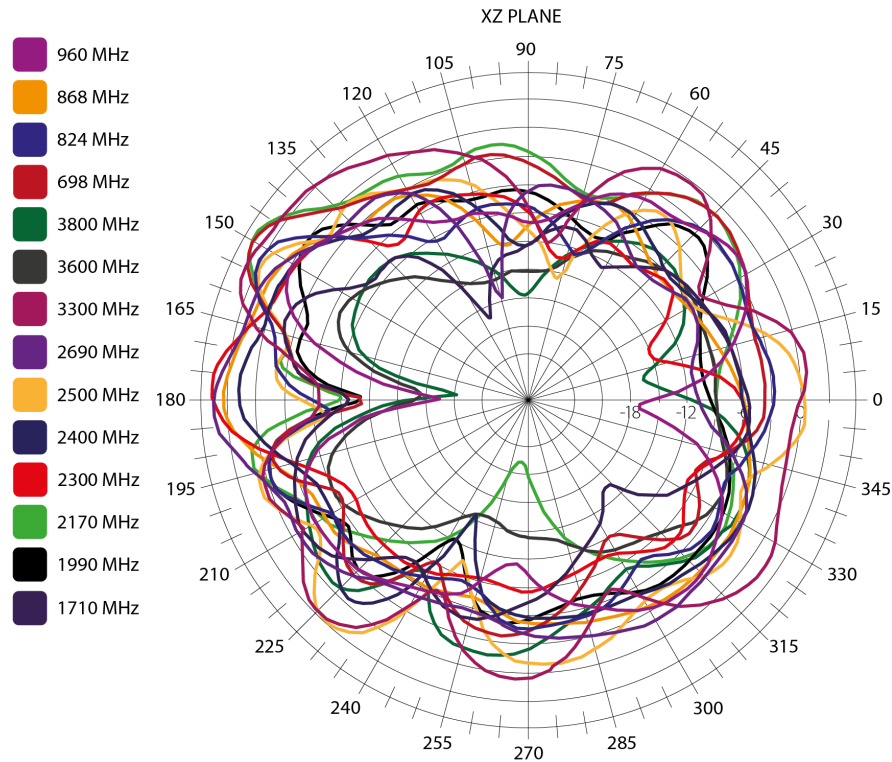
DRAWING



RADIATION PATTERN - XY plane



RADIATION PATTERN - XZ plane



Different connector variants or cable lengths are available on request.

CONTACTS

SECTRON s.r.o. Josefa Šavla 1271/12
709 00 Ostrava 9, Czech Republic

WWW.SECTRON.CZ
Tel.: +420 556 621 020