



GPS/GSM ANTENNA

Antenna GSM/GPS Mounting SHARK,
FME(f)/SMA(m), RG174/RG174, 2m/2m

AO-AKOM31FS2

SECTRON company offers a wide portfolio of GSM/GPS antennas with various versions differing in shape, level of gain and manner of attachment. SECTRON guarantees a compatible connection between an antenna and all antenna adaptors produced by SECTRON.

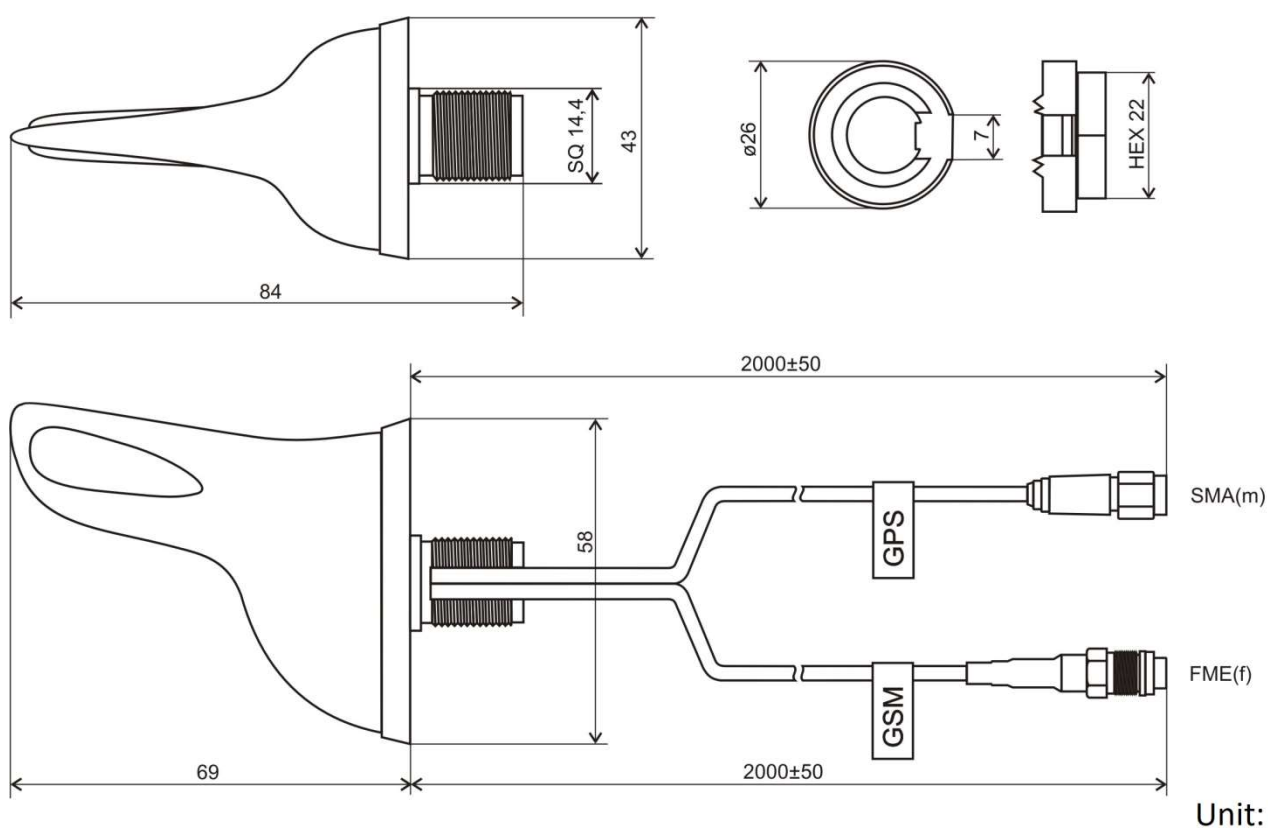


BENEFITS

- Low VSWR
- High power supply range

| | |
|-----------------------|--------------------------------|
| Technology | GPS/GSM |
| Frequency bands | 900/1800/1900/2100/1575.42 MHz |
| Bandwidth | 10 MHz |
| Gain | 30/0 dBi |
| VSWR | <2.0:1 |
| Impedance | 50 Ohm |
| Directivity | Omnidirectional |
| Beam angle | H 360° V 30° |
| Polarization | Linear/R.H.C.P. |
| Maximum input power | 10 W |
| Power voltage | 2.7 – 5.5 V DC |
| Dimensions | 69 x 58 x 43 mm |
| Weight | 136.88 g |
| Operating temperature | -30 to +90 °C |
| Execution | External |
| Method of attachment | Mounting |
| Cable type | 2 x RG174/U |
| The cable length | 2 x 2 m |
| Connector type | SMA(m);FME(f) |

DRAWING



Different connector variants or cable lengths are available on request.

CONTACTS

SECTRON s.r.o. Josefa Šavla 1271/12
709 00 Ostrava 9, Czech Republic

WWW.SECTRON.CZ
Tel.: +420 556 621 021