



LTE/WiFi ANTENNA

Antenna LTE/WiFi Mounting 046,
SMA(m),SMA-RP(m), RG174/3m

AO-AKOM-G046SSRP3

SECTRON company offers a wide portfolio of LTE/WiFi antennas with various versions differing in shape, level of gain and manner of attachment. SECTRON guarantees a compatible connection between an antenna and all antenna adaptors produced by SECTRON.



BENEFITS

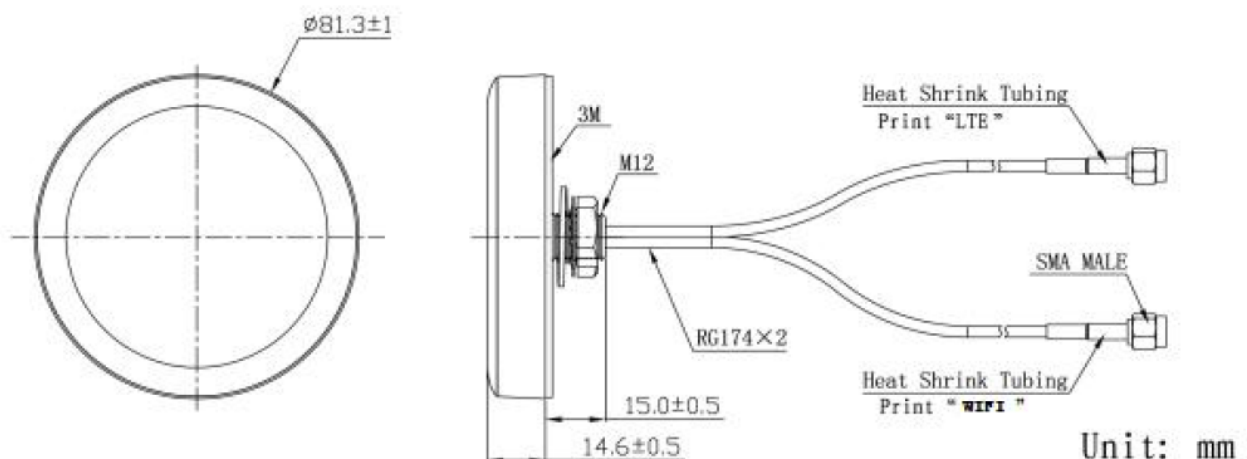
- Low VSWR
- Anti-vandal design
- Optimized radiation pattern

FEATURES

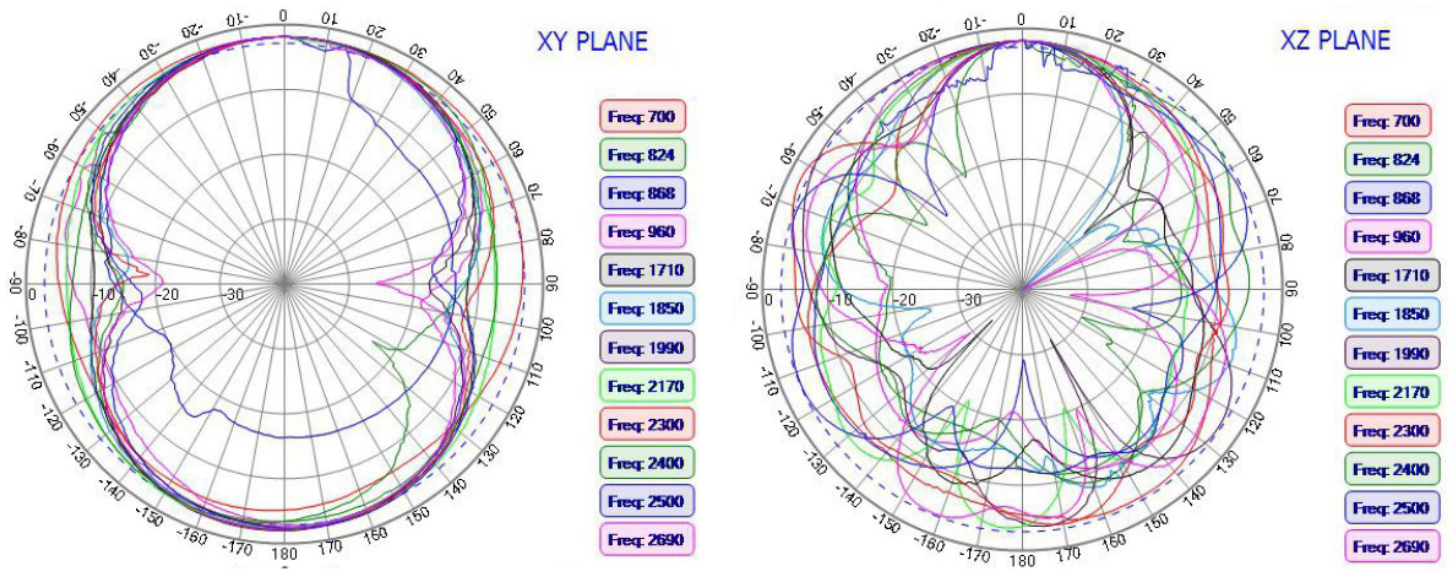
AO-AKOM-G046SSRP3

| | |
|-----------------------|---|
| Technology | LTE/WiFi |
| Frequency bands | 698 960;1710 2690/2400 2483.5;4900 5825 MHz |
| Bandwidth | - |
| Gain | 2.5/3 dBi |
| VSWR | <2.0:1 |
| Impedance | 50 Ohm |
| Directivity | Omnidirectional |
| Beam angle | Attached graphs bellow |
| Polarization | Linear |
| Maximum input power | 10 W |
| Power voltage | - |
| Dimensions | ∅ 81.3 x 14.6 mm |
| Weight | 142.89 g |
| Operating temperature | -40 to +85 °C |
| Execution | External |
| Method of attachment | Screw mount |
| Cable type | RG174/U |
| The cable length | 2 x 3 m |
| Connector type | SMA(m)/SMA-RP |
| Certification | RoHS |
| IP code | IP67 |
| Material | ABS |

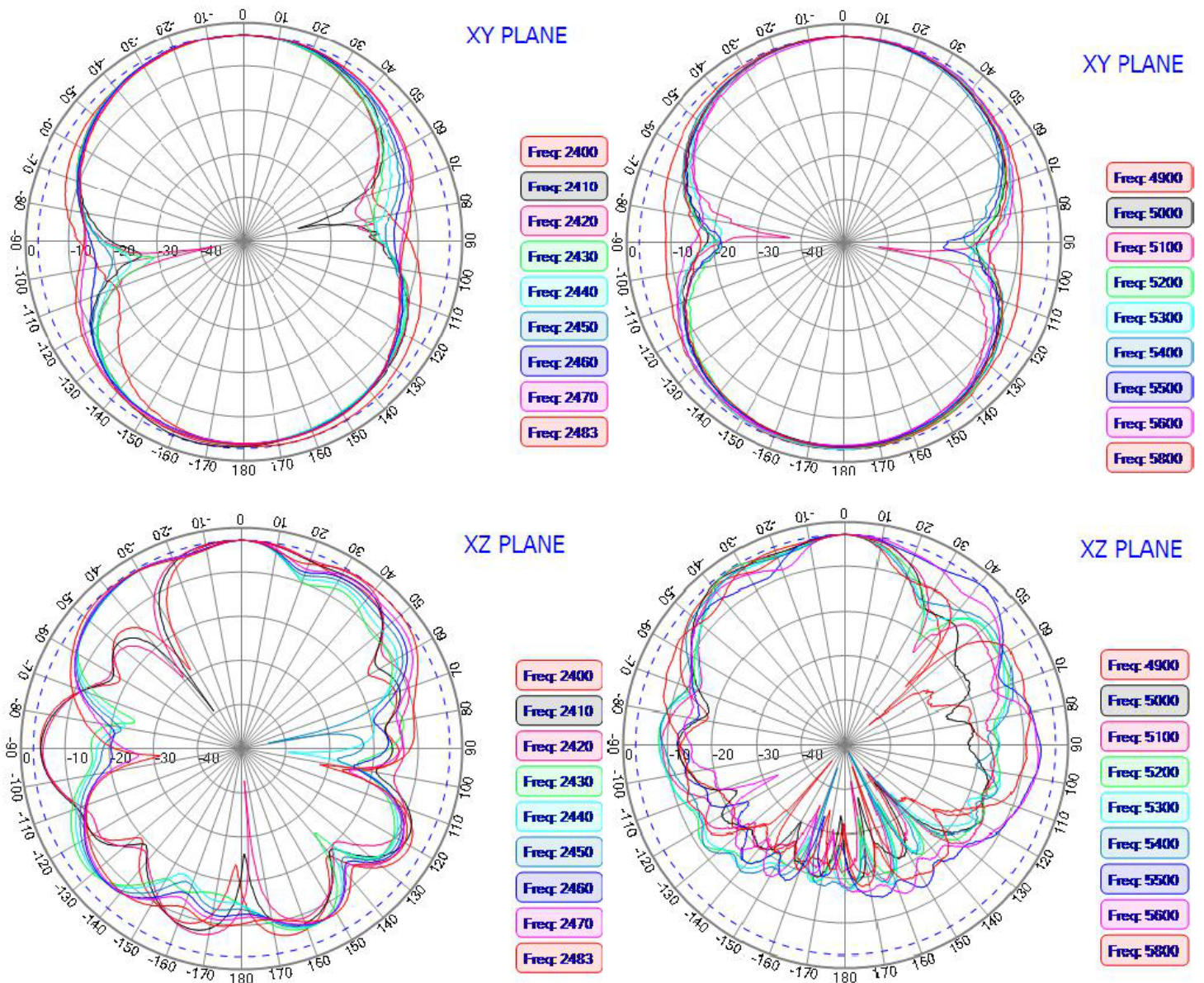
DRAWING

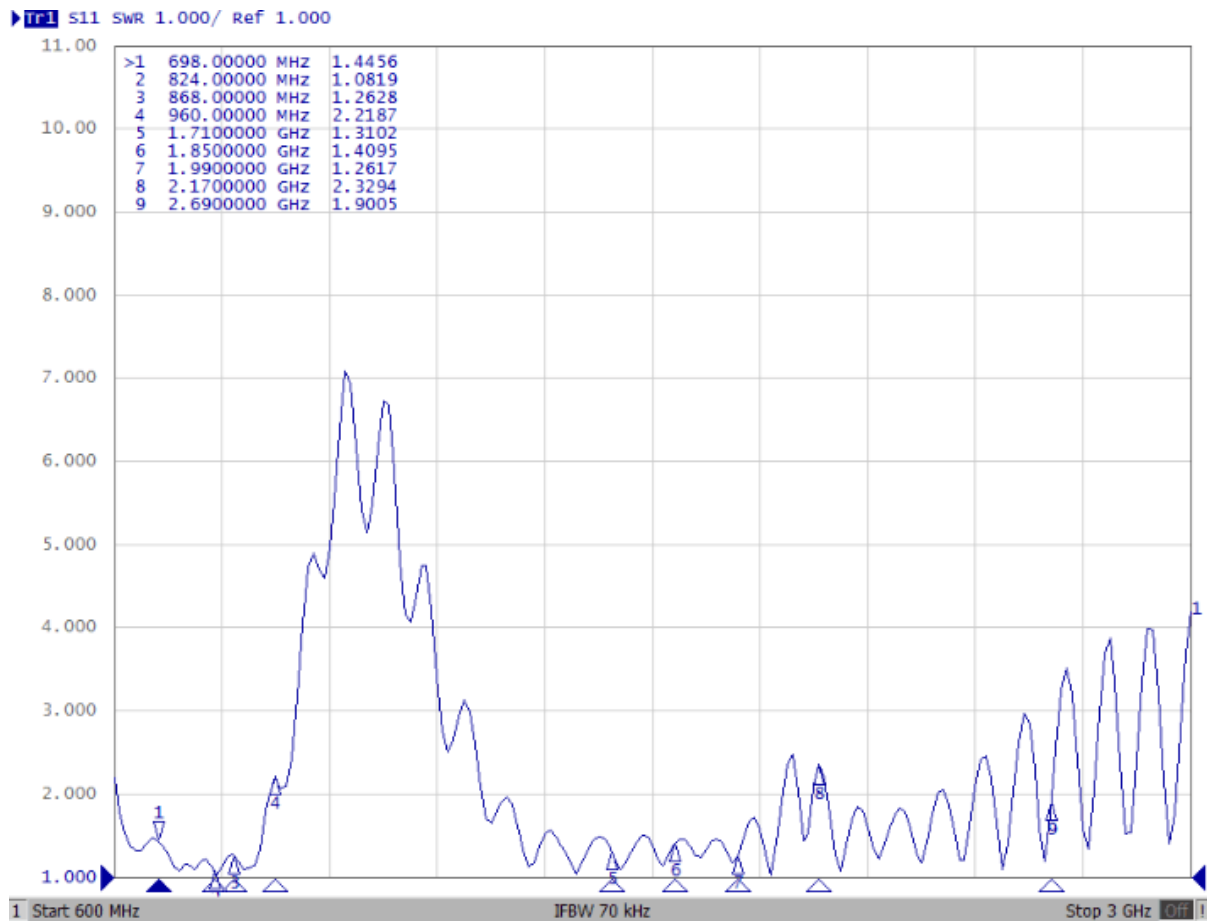


RADIATION PATTERN - 2D (LTE)



RADIATION PATTERN - 2D (WiFi)



VSWR – Voltage standing wave ratio [-]**VARIANTS**

Different connector variants or cable lengths are available on request.

CONTACTS

SECTRON s.r.o. Josefa Šavla 1271/12
709 00 Ostrava 9, Czech Republic

WWW.SECTRON.CZ
Tel.: +420 556 621 020