



GPS/GSM ANTENNA

Antenna GSM/GPS Mounting CAP,
FME(f)/SMA(m), RG174/5m

AO-AKOM-CAP

SECTRON company offers a wide portfolio of GPS/GSM antennas with various versions differing in shape, level of gain and manner of attachment. SECTRON guarantees a compatible connection between an antenna and all antenna adaptors produced by SECTRON.

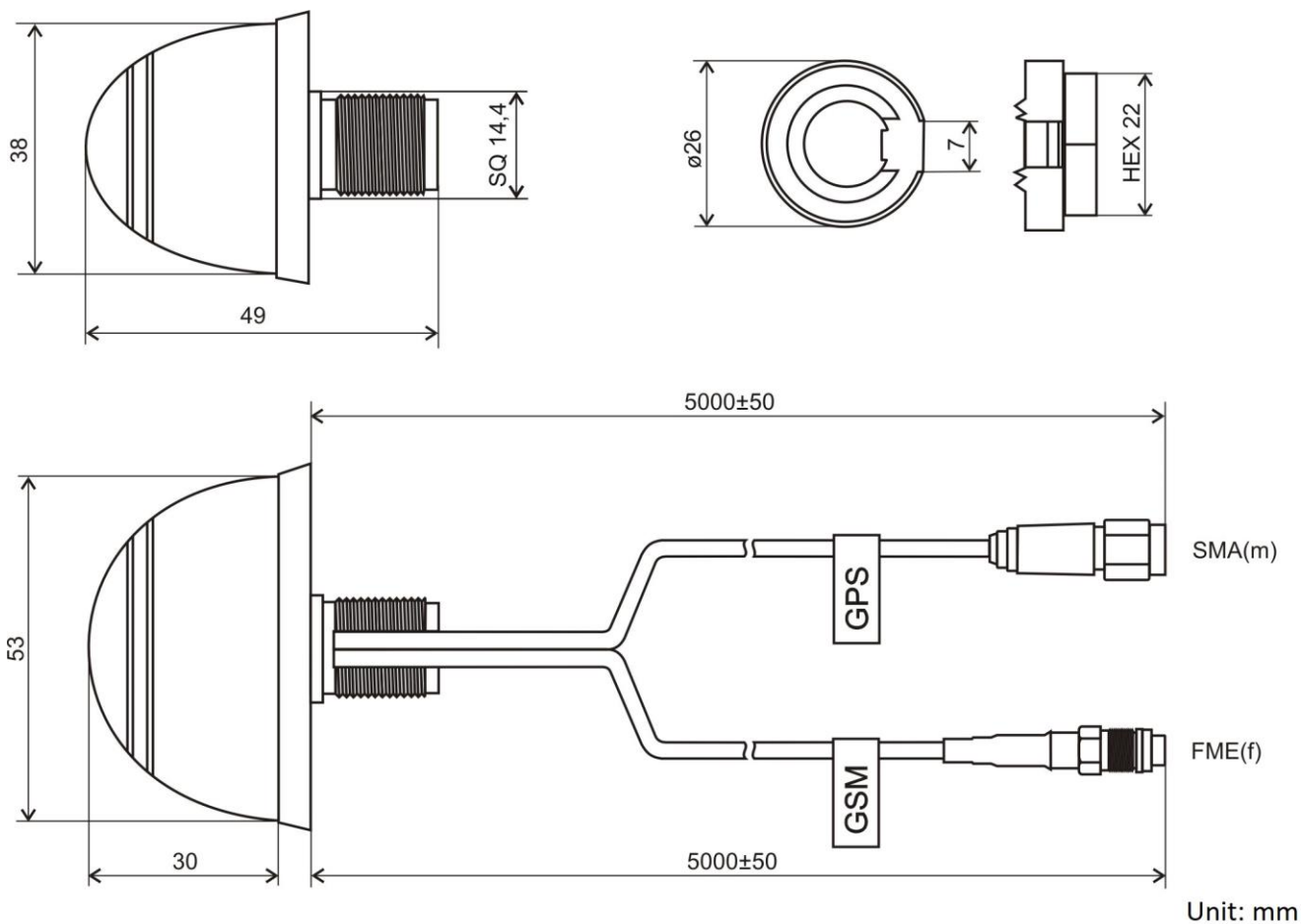


BENEFITS

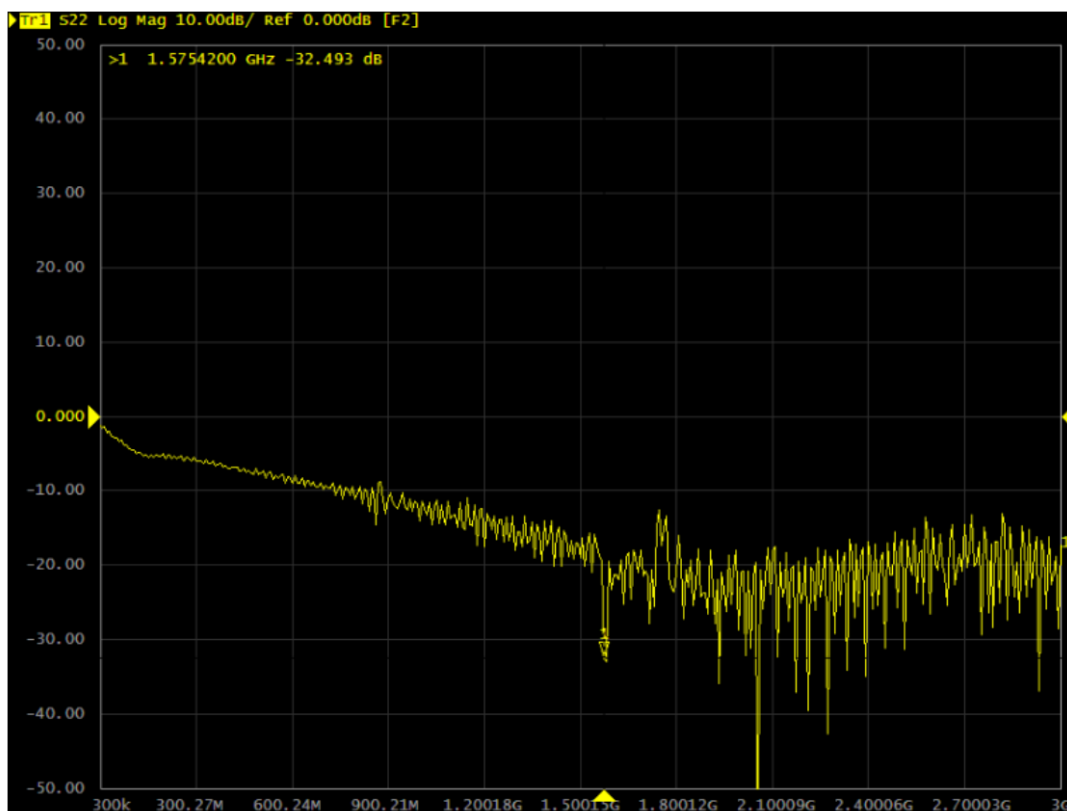
- Low VSWR
- Optimized radiation pattern
- Anti-vandal design

Technology	GSM/GPS
Frequency bands	900/1800/2100/1575.42 MHz
Bandwidth	-
Gain	1.3/2 dBi
LNA gain	30 dB
VSWR	<1.57:1/<1.05:1
Impedance	50 Ohm
Directivity	Omnidirectional
Beam angle	Attached graphs below
Polarization	Linear/R.H.C.P.
Maximum input power	10 W
Power voltage	2.7 – 5.5 V DC
Dimensions	38 x 53 x 49 mm
Weight	173.45 g
Operating temperature	-30 to +90 °C
Execution	External
Method of attachment	Mounting
Cable type	2 x RG174/U
The cable length	2 x 5 m
Connector type	FME(f)/SMA(m)

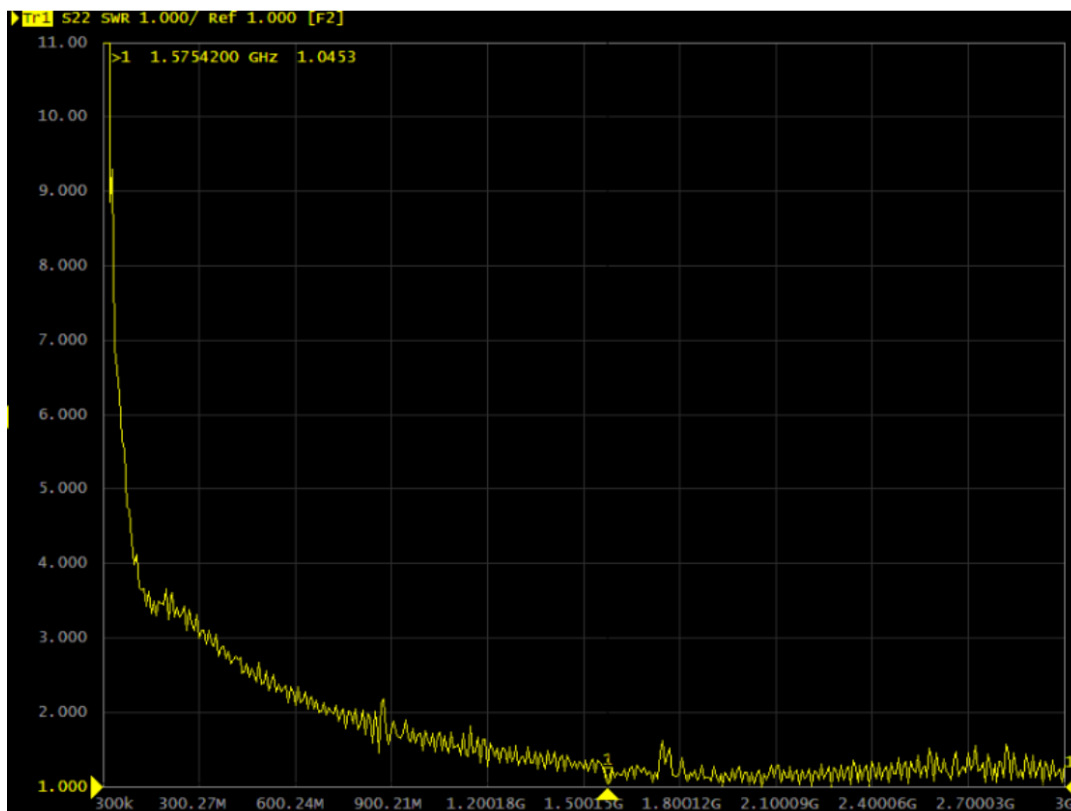
DRAWING



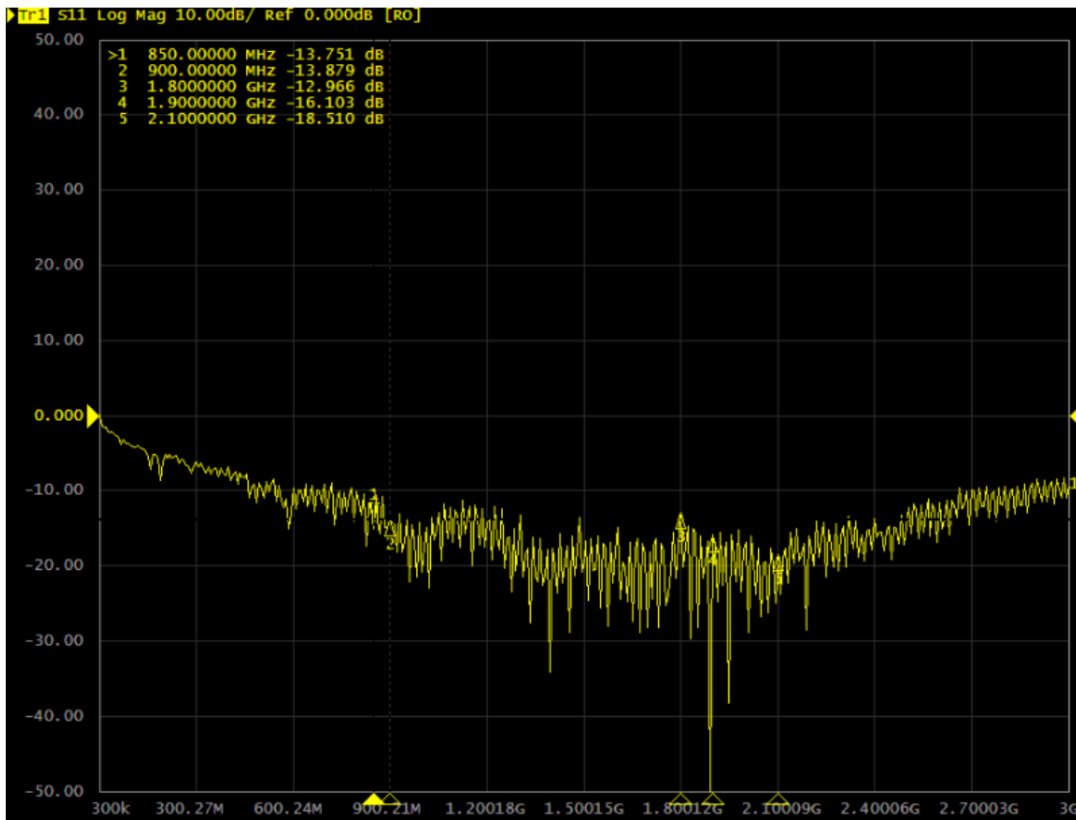
S₁₁ – Return loss [dB] (GPS)



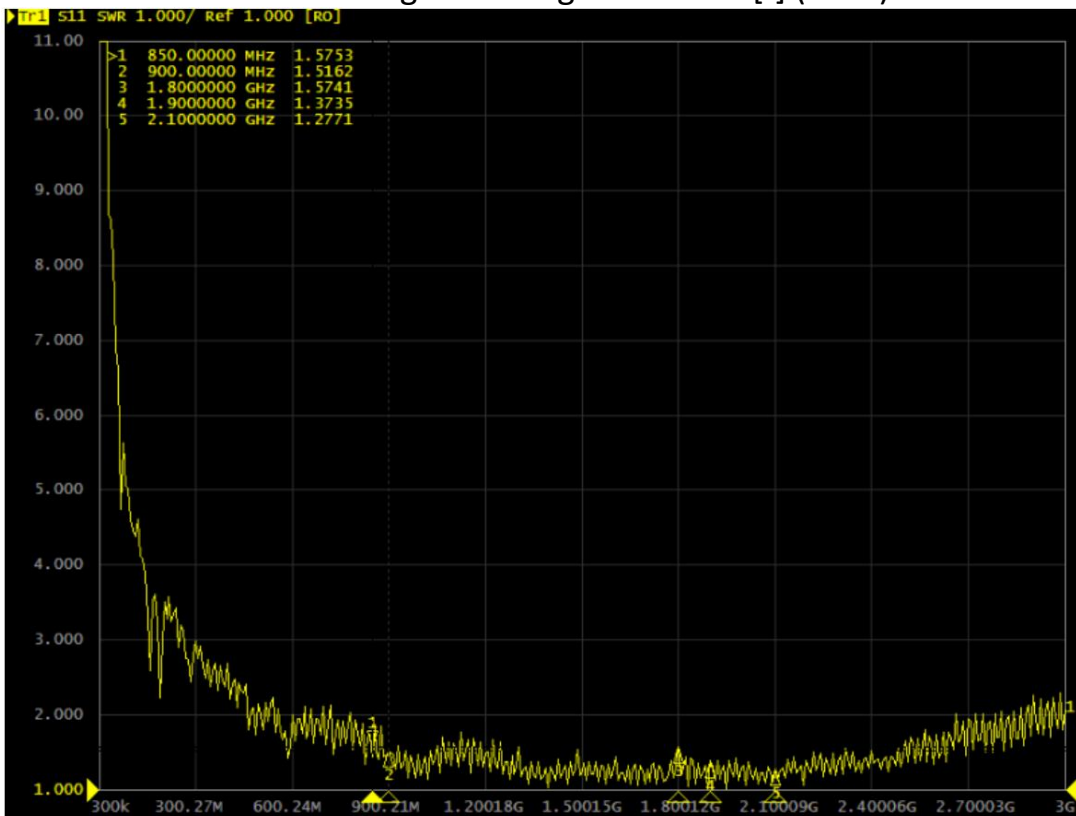
VSWR – Voltage standing wave ratio [-] (GPS)



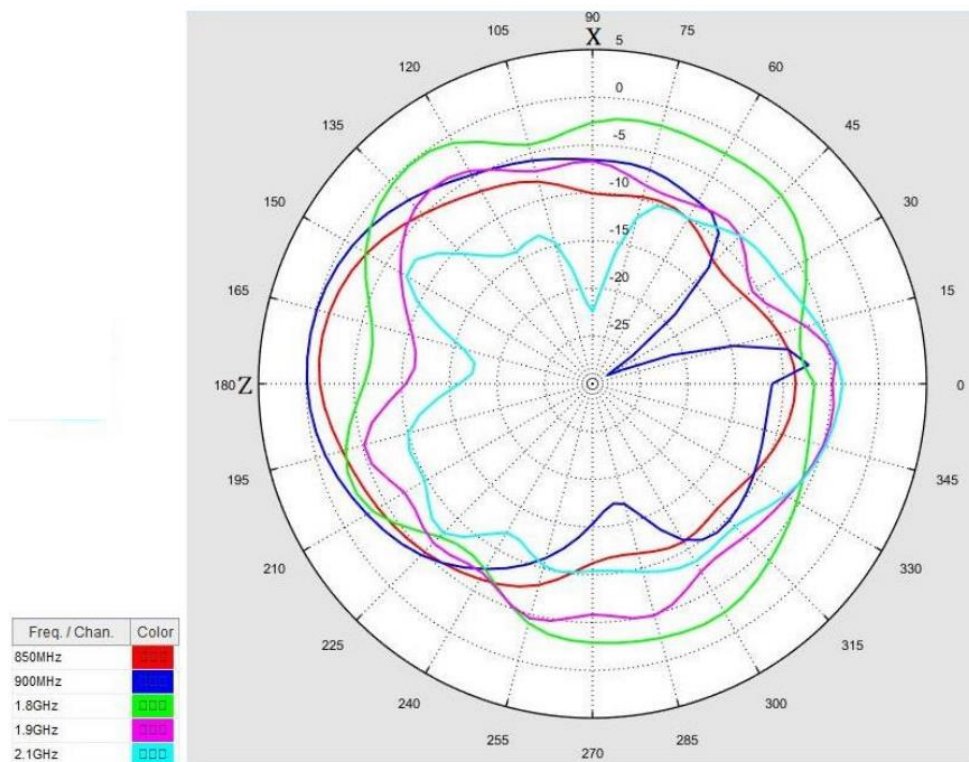
S_{11} – Return loss [dB] (GSM)



VSWR – Voltage standing wave ratio [-] (GSM)



Radiation pattern



Summary

Frequency [MHz]	Return Loss [dB]	VSWR	Efficiency [%]	Gain [dBi]
1575.42	-32.49	1.04	-----	32.59
850	-13.75	1.57	21.73	-0.76
900	-13.87	1.51	25.47	1.3
1800	-12.96	1.57	48.53	0.55
1900	-16.10	1.37	29.11	-0.85
2100	-18.51	1.27	12.56	-3.79

ALL VARIANTS

Different connector variants or cable lengths are available on request.

CONTACTS

SECTRON s.r.o. Josefa Šavla 1271/12
709 00 Ostrava 9, Czech Republic

WWW.SECTRON.CZ
Tel.: +420 556 621 021