



GPS/GSM ANTENNA

Antenna GSM/GPS Mounting CAP,
SMA-RP(m)/SMA(m), 2x RG174/5m

AO-AKOM-CAPSRPS

SECTRON company offers a wide portfolio of GPS/GSM antennas with various versions differing in shape, level of gain and manner of attachment. SECTRON guarantees a compatible connection between an antenna and all antenna adaptors produced by SECTRON.

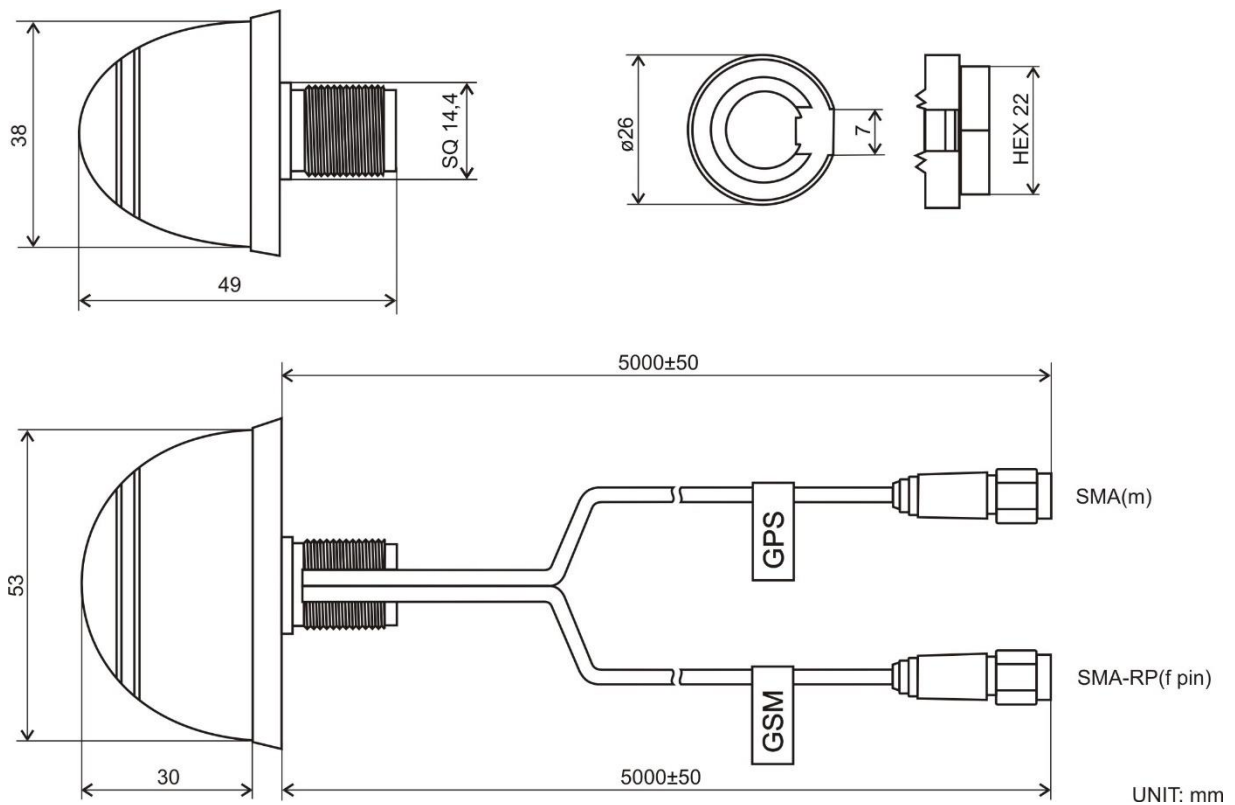


BENEFITS

- Low VSWR
- Anti-vandal design

Technology	GSM/GPS
Frequency bands	900/1800/1575.42 MHz
Bandwidth	-
Gain	0/27 dBi
VSWR	<2.0:1
Impedance	50 Ohm
Directivity	Omnidirectional
Beam angle	H 360° V 30°
Polarization	Vertical/R.H.C.P.
Maximum input power	10 W
Power voltage	2.7 – 5.5 V DC
Dimensions	Ø53 x 30 x 38 mm
Weight	186.99 g
Operating temperature	-30 to +90 °C
Execution	External
Method of attachment	Mounting
Cable type	2 x RG174/U
The cable length	2 x 5 m
Connector type	SMA-RP(f pin)/SMA(m)

DRAWING



Different connector variants or cable lengths are available on request.