



GSM/GPS ANTENNA

Antenna GSM/GPS Mounting
CAP, SMA-RP/SMB, RG174/5m

AO-AKOM-CAPSRPB

SECTRON company offers a wide portfolio of GSM/GPS antennas with various versions differing in shape, level of gain and manner of attachment. SECTRON guarantees a compatible connection between an antenna and all antenna adaptors produced by SECTRON.

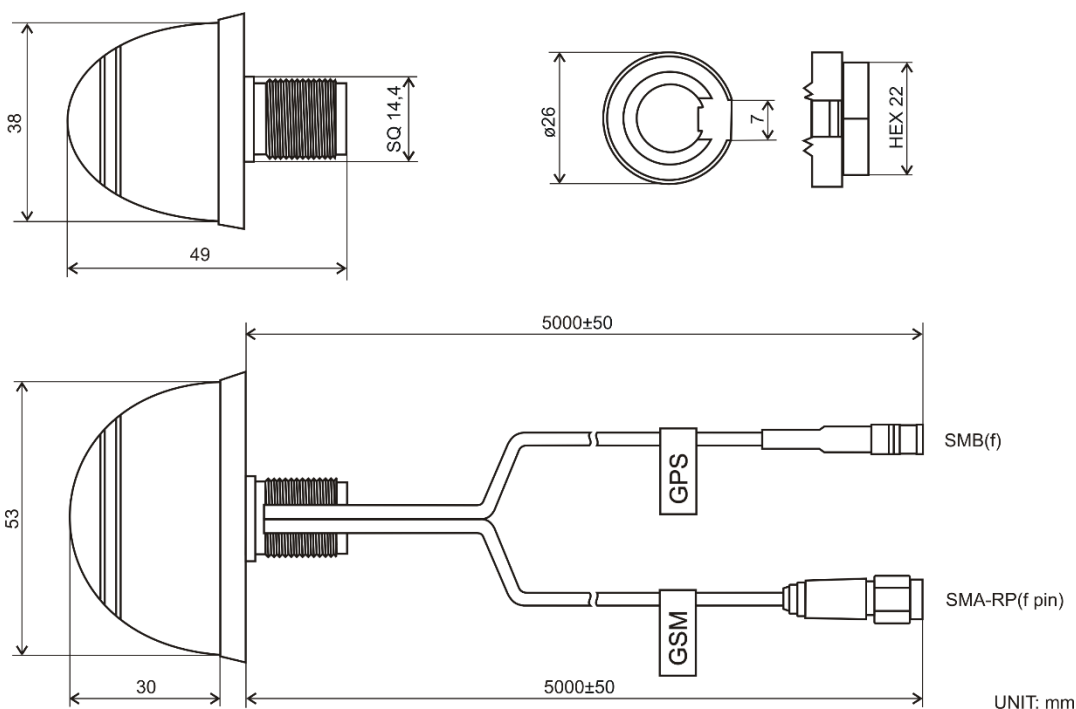


BENEFITS

- Low VSWR
- Anti-vandal design
- Omnidirectional

Technology	GSM/GPS
Frequency bands	800/900/1575.42/1800/1900 MHz
Bandwidth	-
Gain	0/27 dBi
VSWR	< 2:0:1
Impedance	50 Ohm
Directivity	Omnidirectional
Beam angle	H 360° V 75°
Polarization	Linear, R.H.C.P.
Maximum input power	10 W
Power voltage	-
Dimensions	30 x 53 x 38 mm
Weight	203.45 g
Operating temperature	-40 to +85 ° C
Execution	External
Method of attachment	Mounting
Cable type	2 x RG174 / U
The cable length	2 x 5 m
Connector type	SMA-RP(f pin)/SMB(f)

DRAWING



Different connector variants or cable lengths are available on request.

CONTACTS

SECTRON s.r.o. Josefa Šavla 1271/12
709 00 Ostrava 9, Czech Republic

WWW.SECTRON.CZ
Tel.: +420 556 621 021