



UMTS/GPS/WIFI ANTENNA

Antenna GSM/UMTS/GPS/WiFi
Mounting R41, RG174/3m, 2x SMA(m),
SMA-RP(f)

AO-AKOM-41SSSRP

SECTRON company offers a wide portfolio of GSM/UMTS /WiFi/GPS antennas with various versions differing in shape, level of gain and manner of attachment. SECTRON guarantees a compatible connection between an antenna and all antenna adaptors produced by SECTRON.

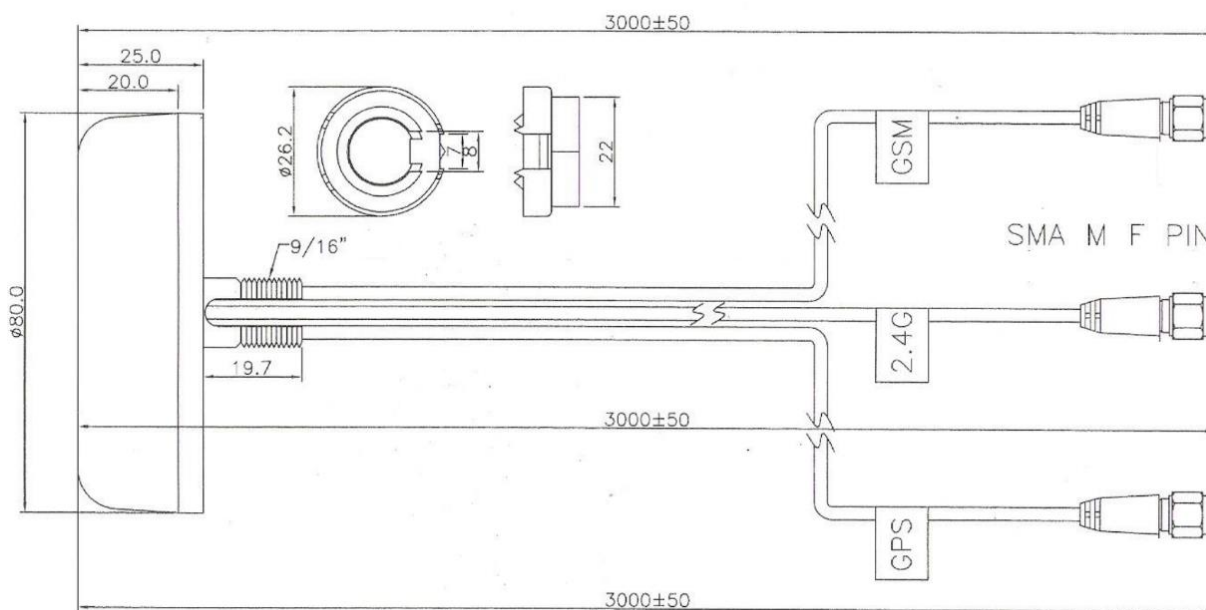


BENEFITS

- Low VSWR
- Wide range of used technologies
- Easy installation

Technology	GSM/UMTS /WiFi/GPS
Frequency bands	900/1800/2100/2400/1575.42 MHz
Bandwidth	-
Gain	0/2/30 dBi
VSWR	<2.0: 1
Impedance	50 Ohm
Directivity	Omnidirectional
Beam angle	H 360° V 30°
Polarization	Linear/R.H.C.P
Maximum input power	10 W
Power voltage	3 – 5,5 V DC
Dimensions	Ø80 x 25 mm
Weight	192.45 g
Operating temperature	-20 to + 60 °C
Execution	External
Method of attachment	Connector mount
Cable type	3 x RG174U
The cable length	3 x 3 m
Connector type	SMA(m)/SMA(m)/SMA-RP(f)

DRAWING



Different connector variants or cable lengths are available on request.