



GSM/UMTS/GPS/WIFI ANTENNA

Antenna GSM/UMTS/GPS/WiFi
Mounting R41, RG174/5m,
open

AO-AKOM-4105

SECTRON company offers a wide portfolio of GSM/UMTS/LTE antennas with various versions differing in shape, level of gain and manner of attachment. SECTRON guarantees a compatible connection between an antenna and all antenna adaptors produced by SECTRON.

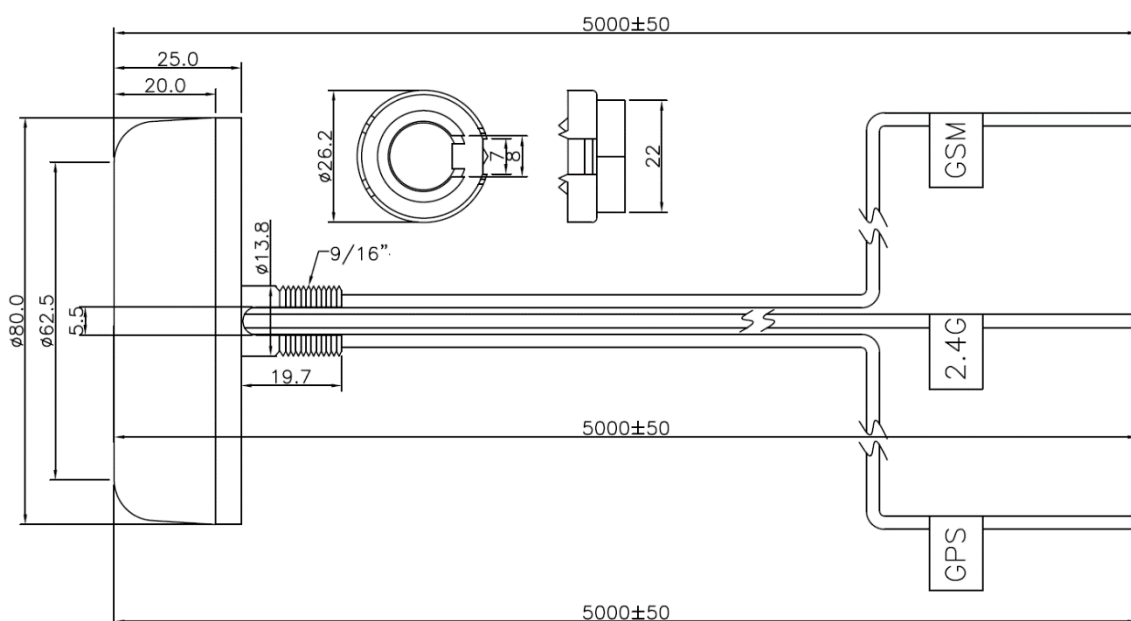


BENEFITS

- Low VSWR
- Wide range of used technologies
- Easy installation

Technology	GSM/UMTS/WIFI/GPS
Frequency bands	900/1800/2100/2400/5800/1575,42 MHz
Bandwidth	-
Gain	0/2/30 dBi
VSWR	<2.0:1
Impedance	50 Ohm
Directivity	Omnidirectional
Beam angle	H-360°, V-30°
Polarization	Linear/R.H.C.P
Maximum input power	10 W
Power voltage	3 – 5.5 V
Dimensions	80 x 25 mm
Weight	281.36 g
Operating temperature	-20 to +60 °C
Execution	External
Method of attachment	Connector mount
Cable type	3 x RG174/U
The cable length	3 x 5 m
Connector type	-

DRAWING



Different connector variants or cable lengths are available on request.