



GSM/GPS/GLONASS ANTENNA

Antenna GSM/GPS/GLONASS
Adhesive R40, 2x RG174/5m,
open end

AO-AKOM-40

SECTRON company offers a wide portfolio of GSM/GPS/GLONASS antennas with various versions differing in shape, level of gain and manner of attachment. SECTRON guarantees a compatible connection between an antenna and all antenna adaptors produced by SECTRON.

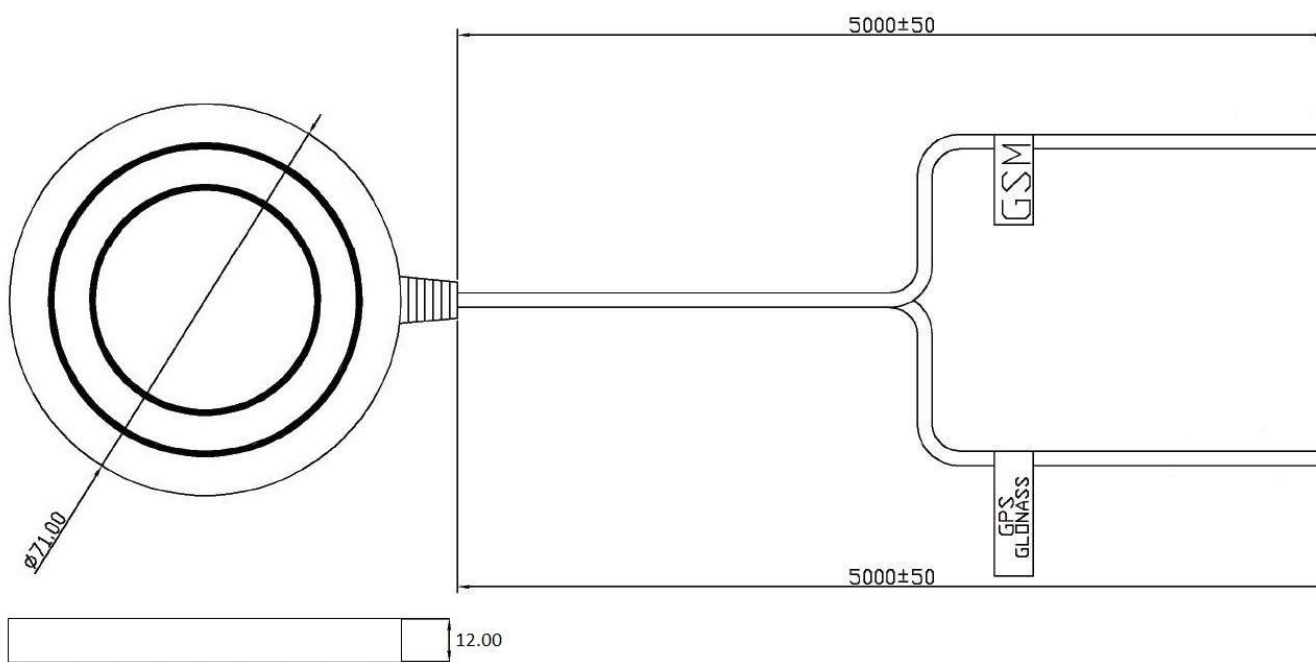
BENEFITS

- Low VSWR
- Easy installation



Technology	GSM/GPS/GLONASS
Frequency bands	900/1800/2100/1575.42/1602 MHz
Bandwidth	-
Gain	0/27 dBi
VSWR	<2.0:1
Impedance	50 Ohm
Directivity	Omnidirectional
Beam angle	H 360° V 30°
Polarization	Linear/R.H.C.P.
Maximum input power	10 W
Power voltage	2.7 – 5.5 V DC
Dimensions	Ø 71 x 12 mm
Weight	165.91 g
Operating temperature	-30 to +90 °C
Execution	External
Method of attachment	Adhesive
Cable type	2 x RG174/U
The cable length	2 x 5 m
Connector type	Open end

DRAWING



Unit: mm

Different connector variants or cable lengths are available on request.