



## WIFI/GLONASS/GPS ANTENNA

Antenna WiFi/GPS/GLONASS  
Adhesive R40, 2x RG174/5m,  
2x SMA(m)

AO-AKOM-40WP-SS

SECTRON company offers a wide portfolio of WiFi/GLONASS/GPS antennas with various versions differing in shape, level of gain and manner of attachment. SECTRON guarantees a compatible connection between an antenna and all antenna adaptors produced by SECTRON.



### BENEFITS

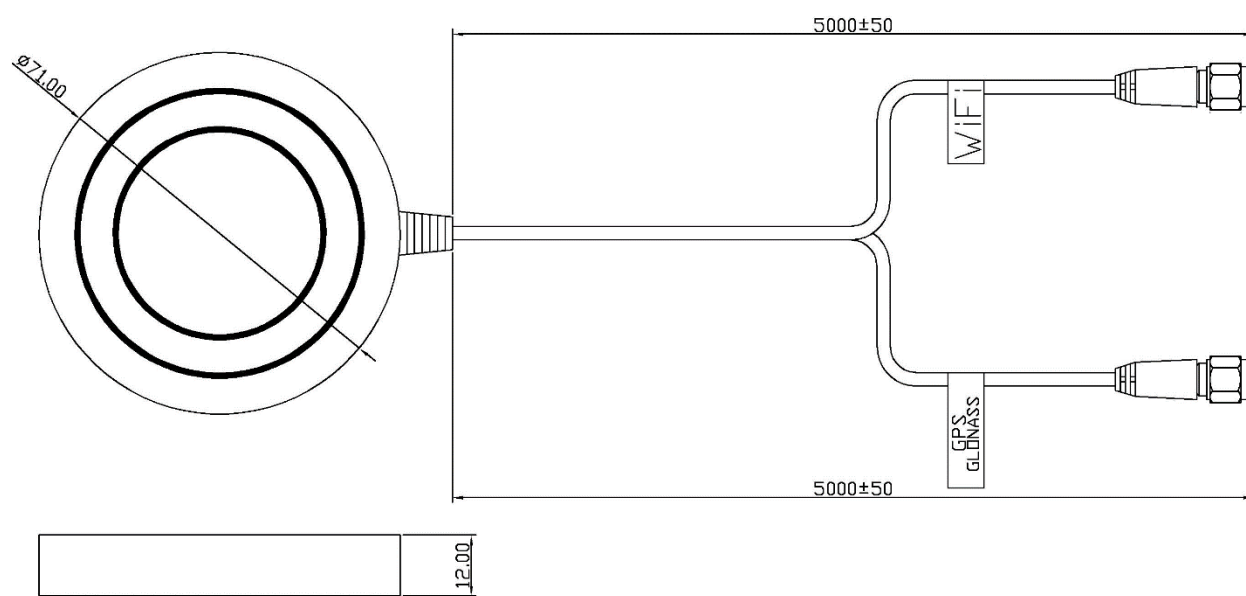
- Low VSWR
- Easy installation

## FEATURES

AO-AKOM-40WP-SS

Technology	WIFI/GPS/GLONASS
Frequency bands	2400/1575.42/1602 MHz
Bandwidth	-
Gain	2/30 dBi
VSWR	<2.0:1
Impedance	50 Ohm
Directivity	Omnidirectional
Beam angle	H 360° V 30°
Polarization	Linear/R.H.C.P.
Maximum input power	10 W
Power voltage	2.7 – 5.5 V DC
Dimensions	71 x 12 mm
Weight	142.8 g
Operating temperature	-30 to +90 °C
Execution	External
Method of attachment	Adhesive
Cable type	2 x RG174/U
The cable length	2 x 5 m
Connector type	2 x SMA(m)

## DRAWING



Different connector variants or cable lengths are available on request.