



## GSM/WIFI ANTENNA

Antenna GSM/WiFi

Mounting R36, RG174/3m

SMA(m), RG316/3m

SMA-RP(m)

AO-AKOM-36GW-SSRP

SECTRON company offers a wide portfolio of GSM/WIFI antennas with various versions differing in shape, level of gain and manner of attachment. SECTRON guarantees a compatible connection between an antenna and all antenna adaptors produced by SECTRON.

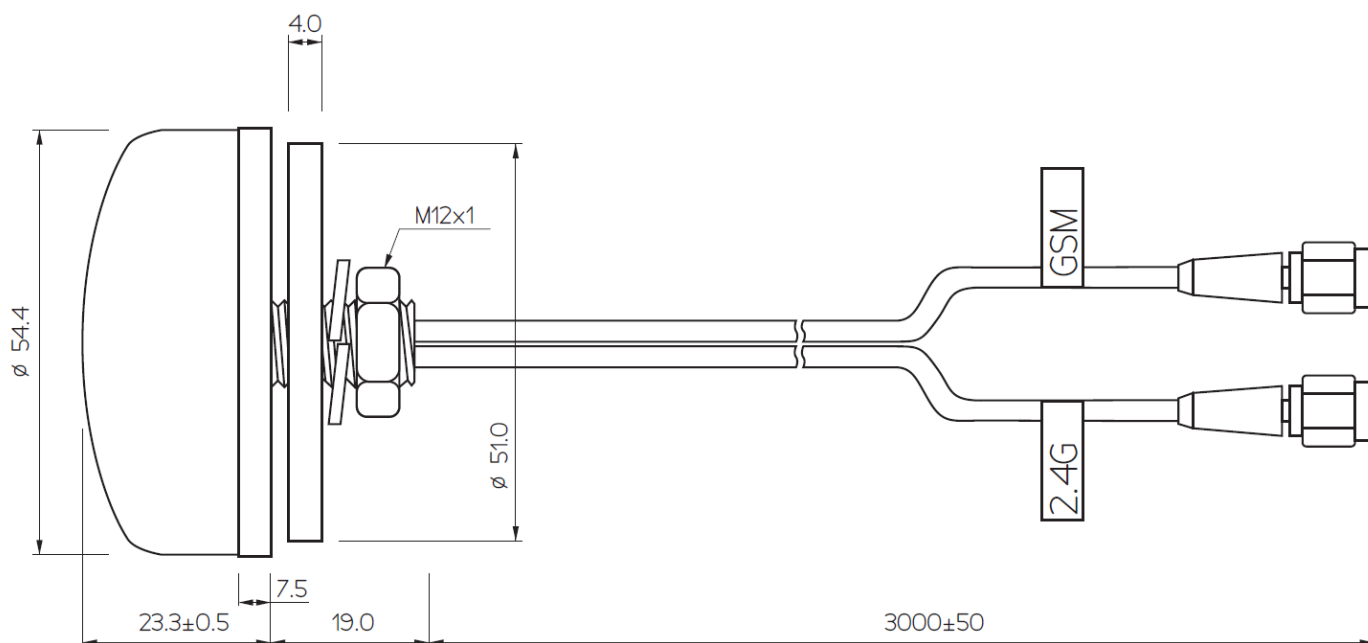


### BENEFITS

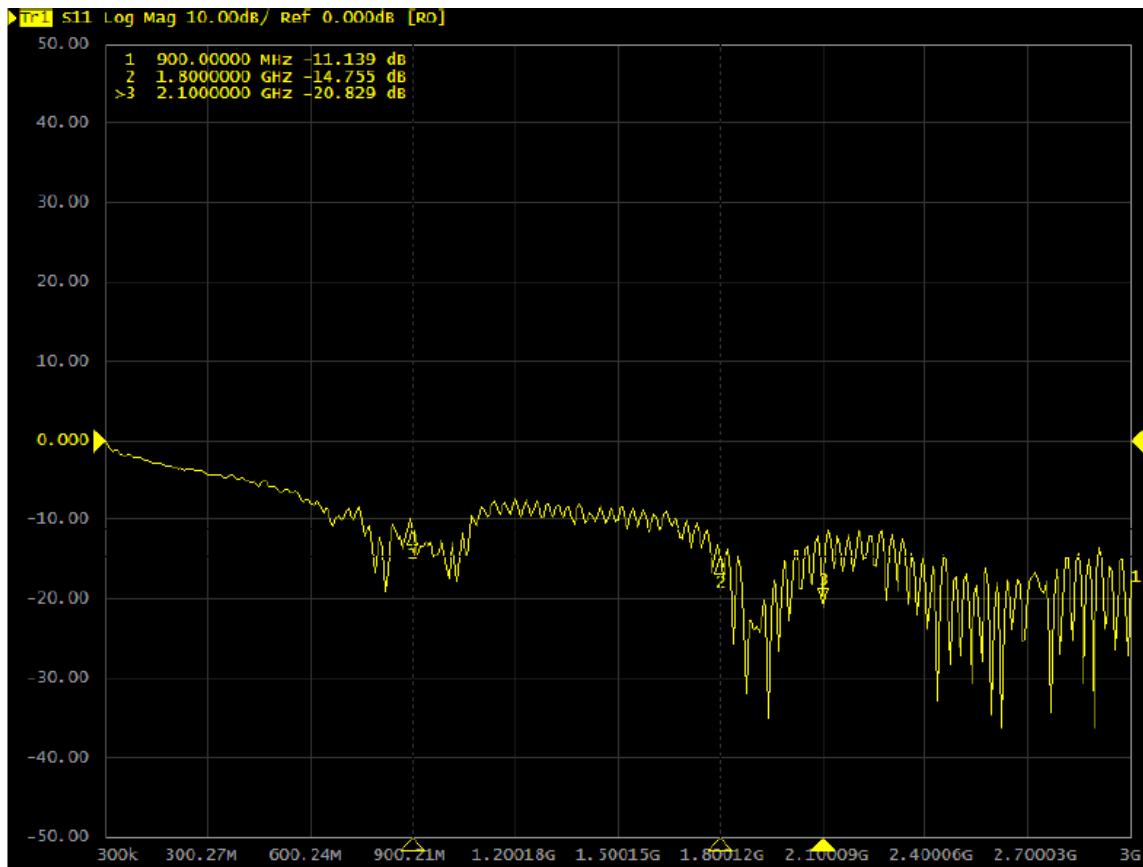
- Low VSWR
- Omnidirectional - suitable for moving devices

Technology	GSM/WiFi
Frequency bands	900/1800/2100/2400 MHz
Bandwidth	-
Gain	0 dBi
VSWR	<2.0: 1
Impedance	50 Ohm
Directivity	Omnidirectional
Beam angle	H 360° V 30°
Polarization	Linear/R.H.C.P
Maximum input power	10W
Power voltage	-
Dimensions	Ø 54.7 x 23.3 mm
Weight	114.14 g
Operating temperature	-30 to +80 ° C
Execution	External
Method of attachment	Mounting
Cable type	RG174/U (GSM) / RG316/U (WiFi)
The cable length	3 m
Connector type	SMA(m)/SMA-RP(m)

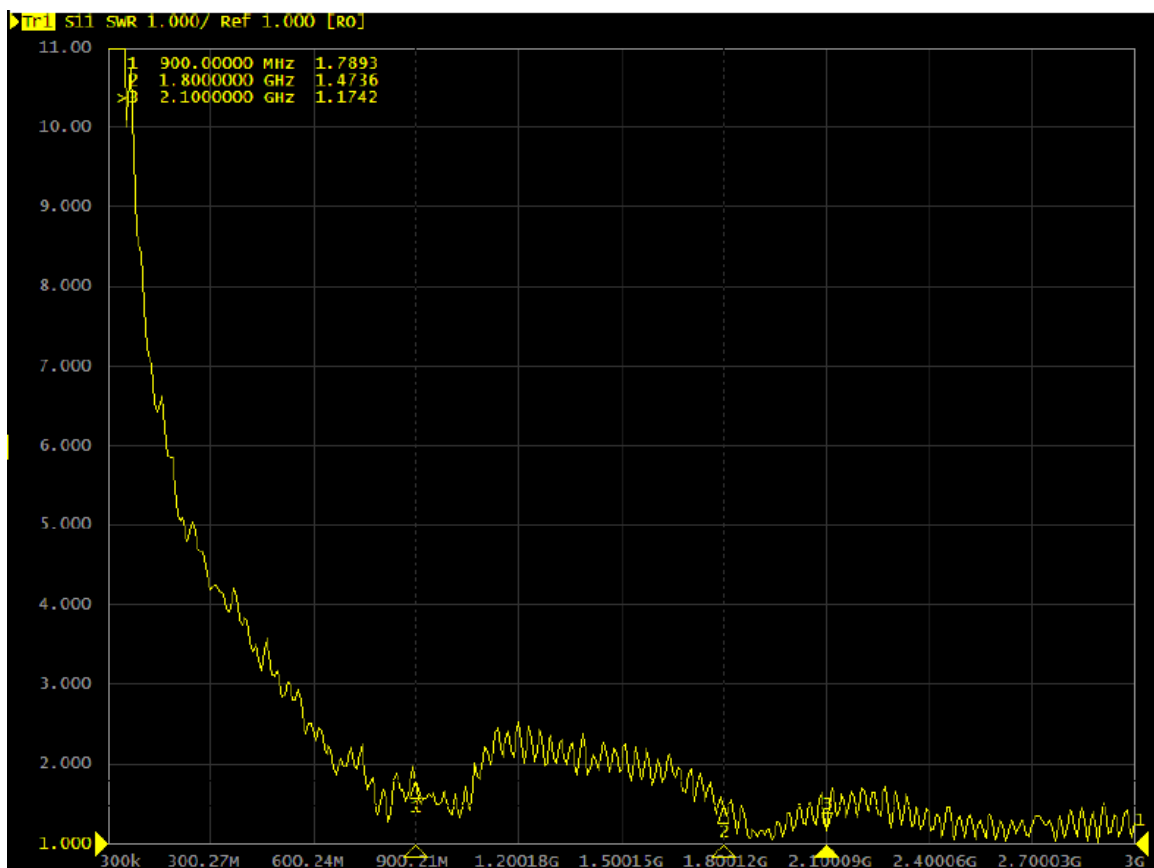
DRAWING



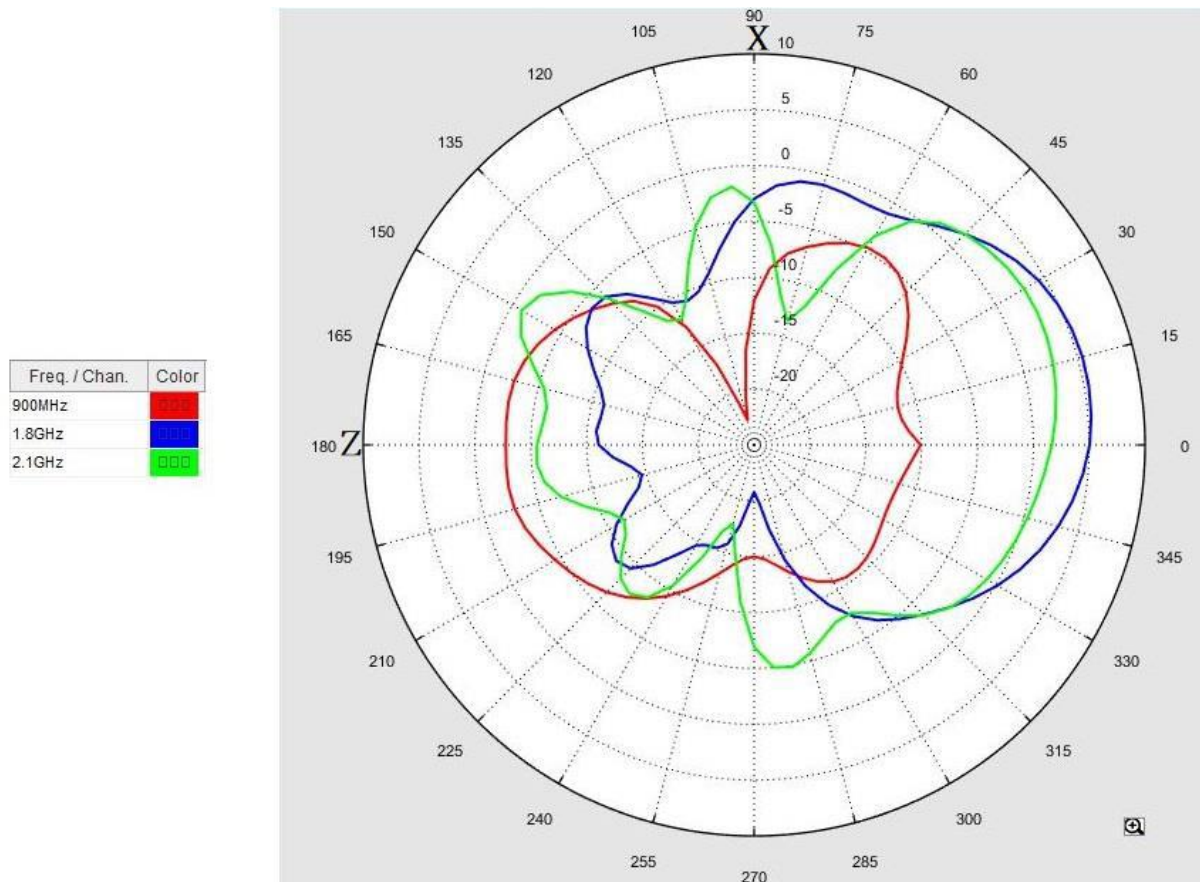
### S11 - Return loss [dB]



### VSWR – Standing wave ratio [50 Ω]



## 3D Radiation Pattern



## SUMMARY

Frequency (MHz)	Return Loss (dB)	VSWR	Efficiency (%)	Gain (dB)
900	-11.13	1.78	19.14	-1.43
1800	-14.75	1.47	47.97	5.43
2100	-20.82	1.17	44.16	2.91

## ALL VARIANTS

Different connector variants or cable lengths are available on request.

## CONTACTS