



## GSM/GPS ANTENNA

Antenna GSM/GPS Mounting PUK,  
RG174/3m, FME/SMA

AO-AKOM-36FS

SECTRON company offers a wide portfolio of GSM/GPS antennas with various versions differing in shape, level of gain and manner of attachment. SECTRON guarantees a compatible connection between an antenna and all antenna adaptors produced by SECTRON.



### BENEFITS

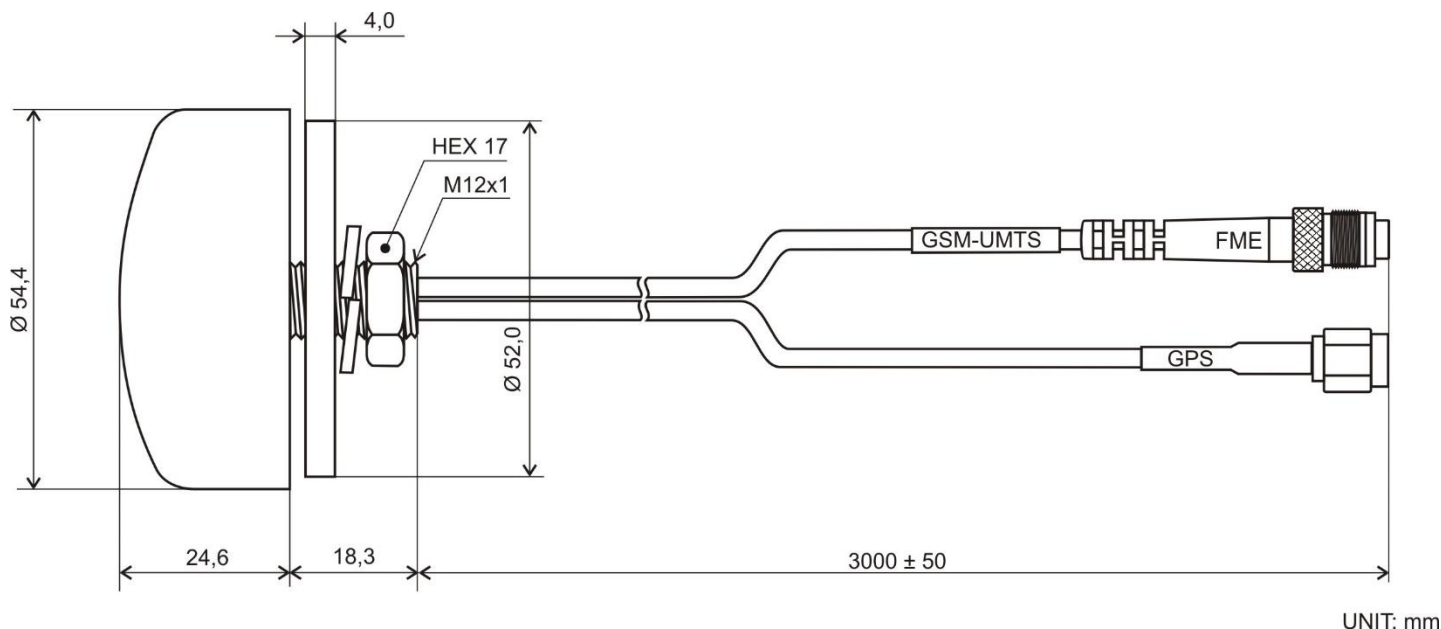
- High power supply range
- Anti-vandal design
- Low VSWR

## FEATURES

AO-AKOM-36FS

Technology	GSM/GPS
Frequency bands	800/900/1800/1900/1575.42 MHz
Bandwidth	-
Gain	0/30 dBi
VSWR	<2.0:1
Impedance	50 Ohm
Directivity	Omnidirectional
Beam angle	H 360° V 30°
Polarization	Linear/R.H.C.P.
Maximum input power	10 W
Power voltage	2.7 – 5.5 V DC
Dimensions	24.6 x Ø 54.4 mm
Weight	172.49 g
Operating temperature	-30 to +90 °C
Execution	External
Method of attachment	Mounting
Cable type	2 x RG174/U
The cable length	2 x 3 m
Connector type	FME(f)/SMA(m)

## DRAWING



## ALL VARIANTS

Different connector variants or cable lengths are available on request.

## CONTACTS

SECTRON s.r.o. Josefa Šavla 1271/12  
709 00 Ostrava 9, Czech Republic

WWW.SECTRON.CZ  
Tel.: +420 556 621 021