



GSM/GPS ANTENNA

Antenna GSM/GPS

Adhesive PUK, RG174/5 m,
FME(f)/SMA(m)

AO-AKOM-30FS

SECTRON company offers a wide portfolio of GSM/GPS antennas with various versions differing in shape, level of gain and manner of attachment. SECTRON guarantees a compatible connection between an antenna and all antenna adaptors produced by SECTRON.

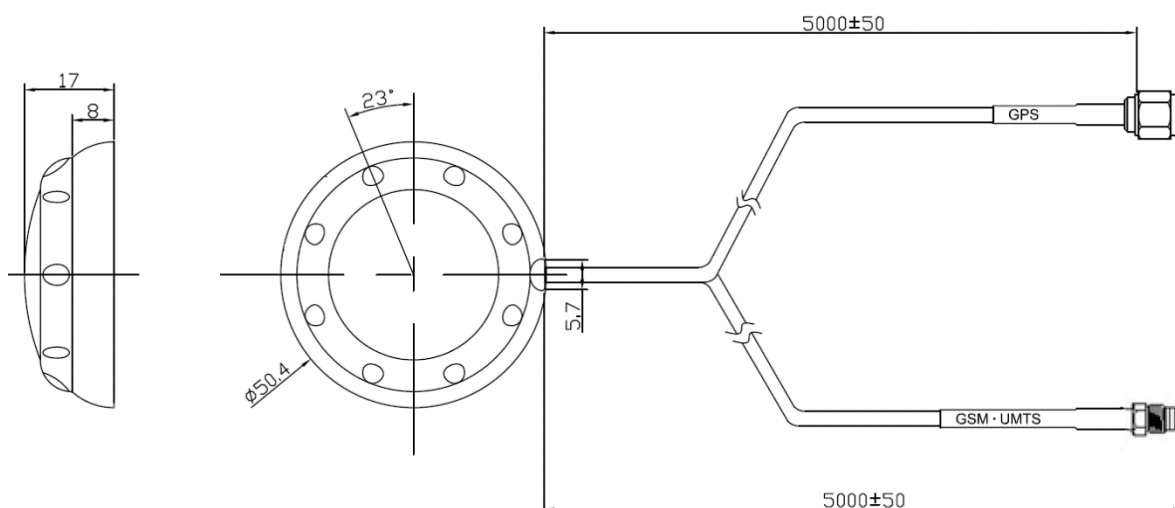


BENEFITS

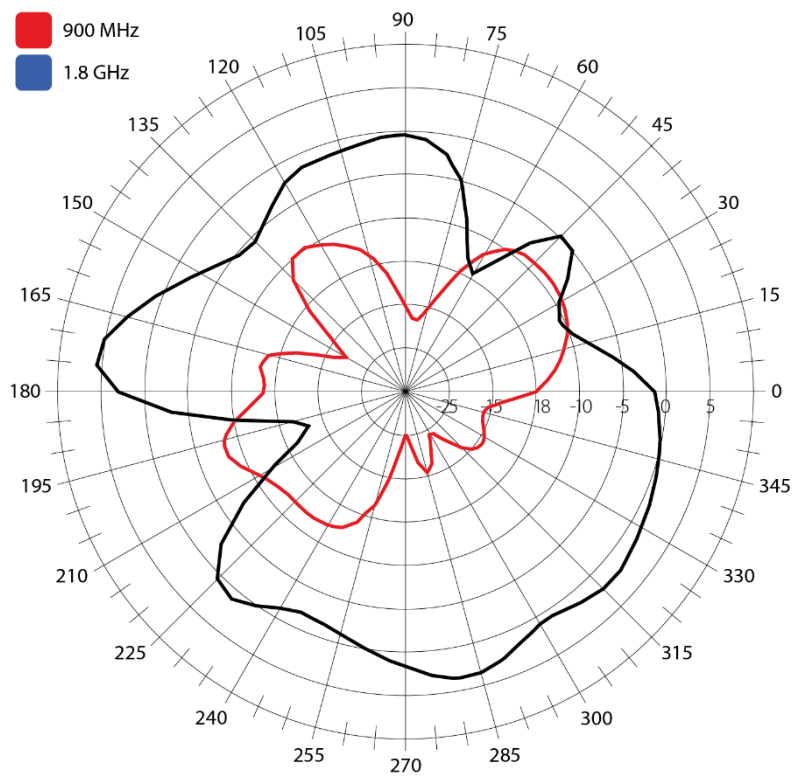
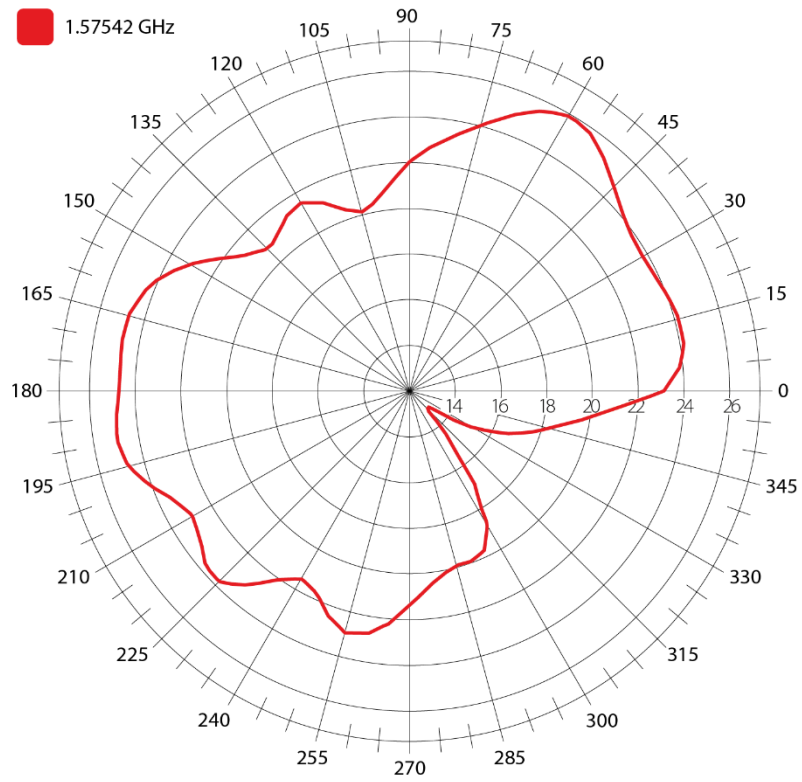
- Low VSWR
- Easy installation
- High LNA gain

Technology	GSM/GPS
Frequency bands	900/1800/1575.42 MHz
Bandwidth	-
Gain	6/30 dBi
VSWR	<1.5: 1 / <1.15:1
Impedance	50 Ohm
Directivity	Omnidirectional
Beam angle	H-360°, V-30°
Polarization	Linear/R.H.C.P
Maximum input power	10 W
Power voltage	-
Dimensions	50.4 x 17 mm
Weight	134.07 g
Operating temperature	-30 to +90 °C
Execution	External
Method of attachment	Adhesive
Cable type	2 x RG174/U
The cable length	2 x 5 m
Connector type	FME(f) / SMA(m)

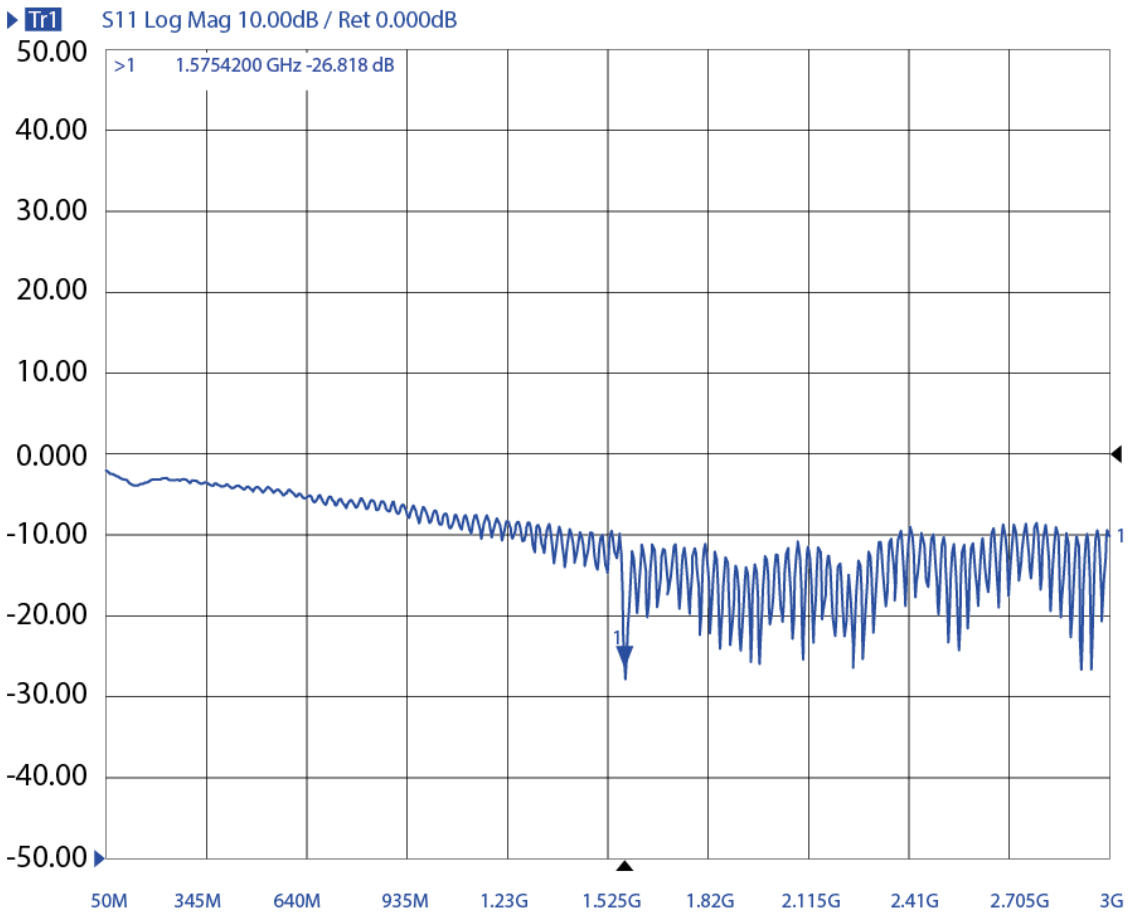
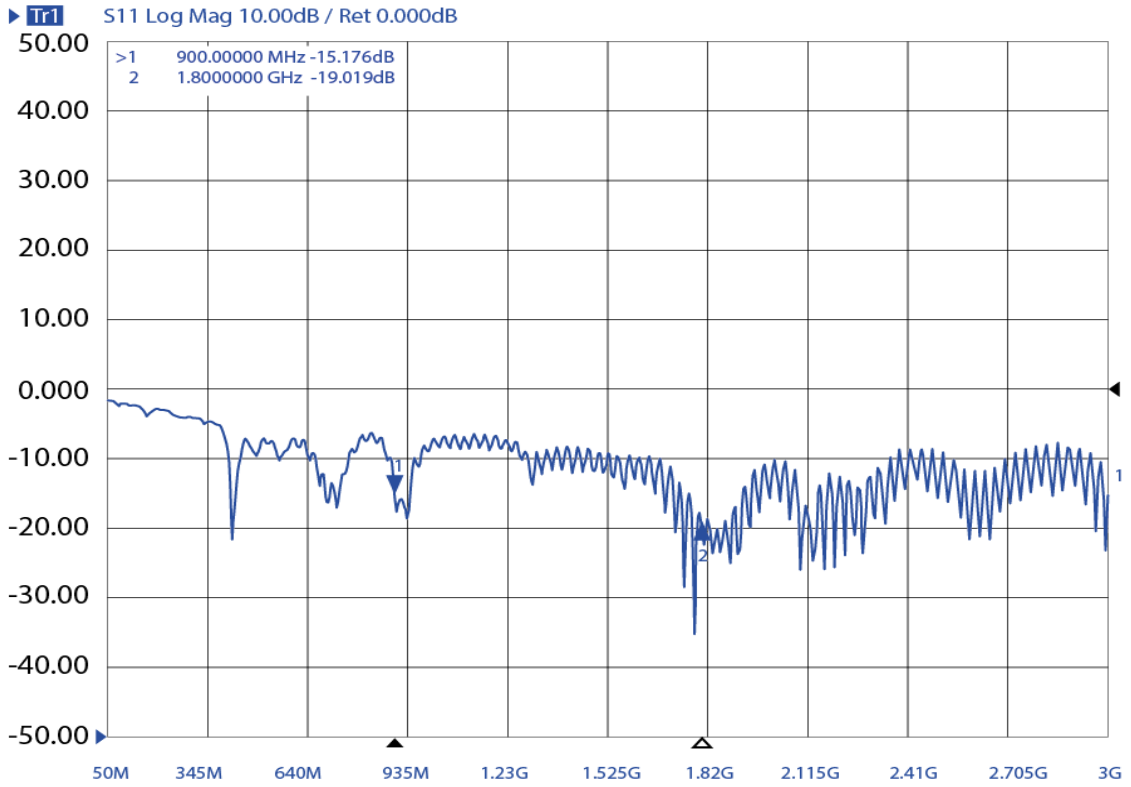
DRAWING



Radiation pattern



S11



Different connector variants or cable lengths are available on request.