



## GSM/GPS ANTENNA

Antenna GSM/GPS

Adhesive PUK, FAKRA C/D,  
RG174/1.6m

AO-AKOM-30A16

SECTRON company offers a wide portfolio of GSM/GPS antennas with various versions differing in shape, level of gain and manner of attachment. SECTRON guarantees a compatible connection between an antenna and all antenna adaptors produced by SECTRON.

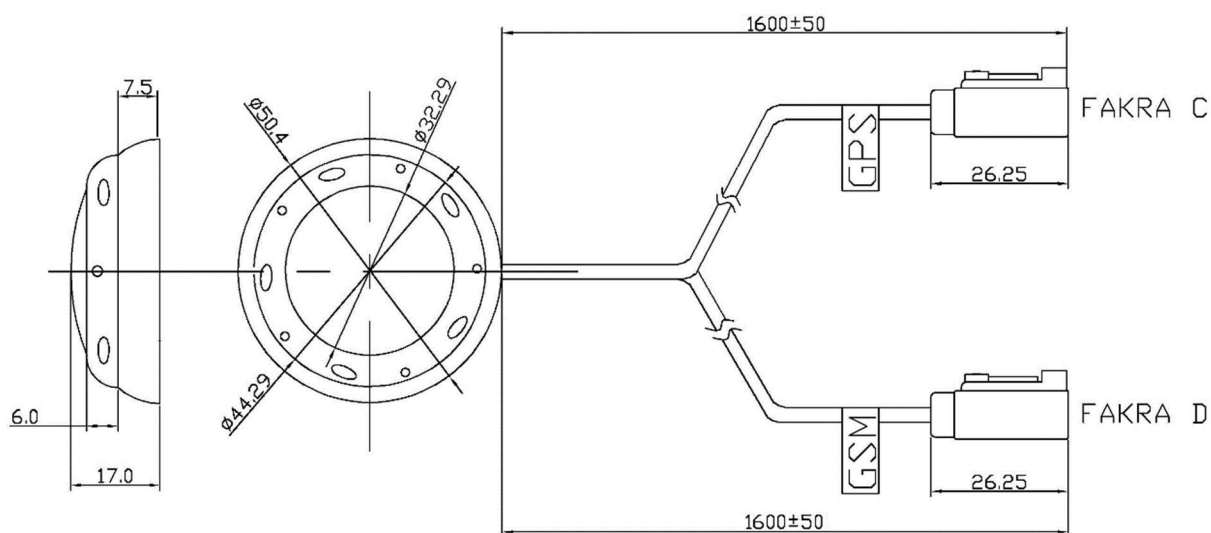


### BENEFITS

- Low VSWR
- Easy installation

Technology	GSM/GPS
Frequency bands	900/1800/2100/1575.42 MHz
Bandwidth	-
Gain	0/30 dBi
VSWR	<2.0:1
Impedance	50 Ohm
Directivity	Omnidirectional
Beam angle	H-360°, V-30°
Polarization	Linear/R.H.C.P
Maximum input power	10W
Power voltage	-
Dimensions	Ø 50.4 x 17 mm
Weight	83.1 g
Operating temperature	-30 to +90 °C
Execution	External
Method of attachment	Adhesive
Cable type	2 x RG174/U
The cable length	2 x 1.6 m
Connector type	FAKRA (f) C / FAKRA (f) D

DRAWING



Unit: mm

CONTACTS