



## GSM/GPS ANTENNA

Antenna GSM/GPS Screw Mount SHARK,  
FME(f)/SMA(m), 2 x RG174 5m/divided

AO-AKC-31FS

SECTRON company offers a wide portfolio of GSM/GPS antennas with various versions differing in shape, level of gain and manner of attachment. SECTRON guarantees a compatible connection between an antenna and all antenna adaptors produced by SECTRON.



### BENEFITS

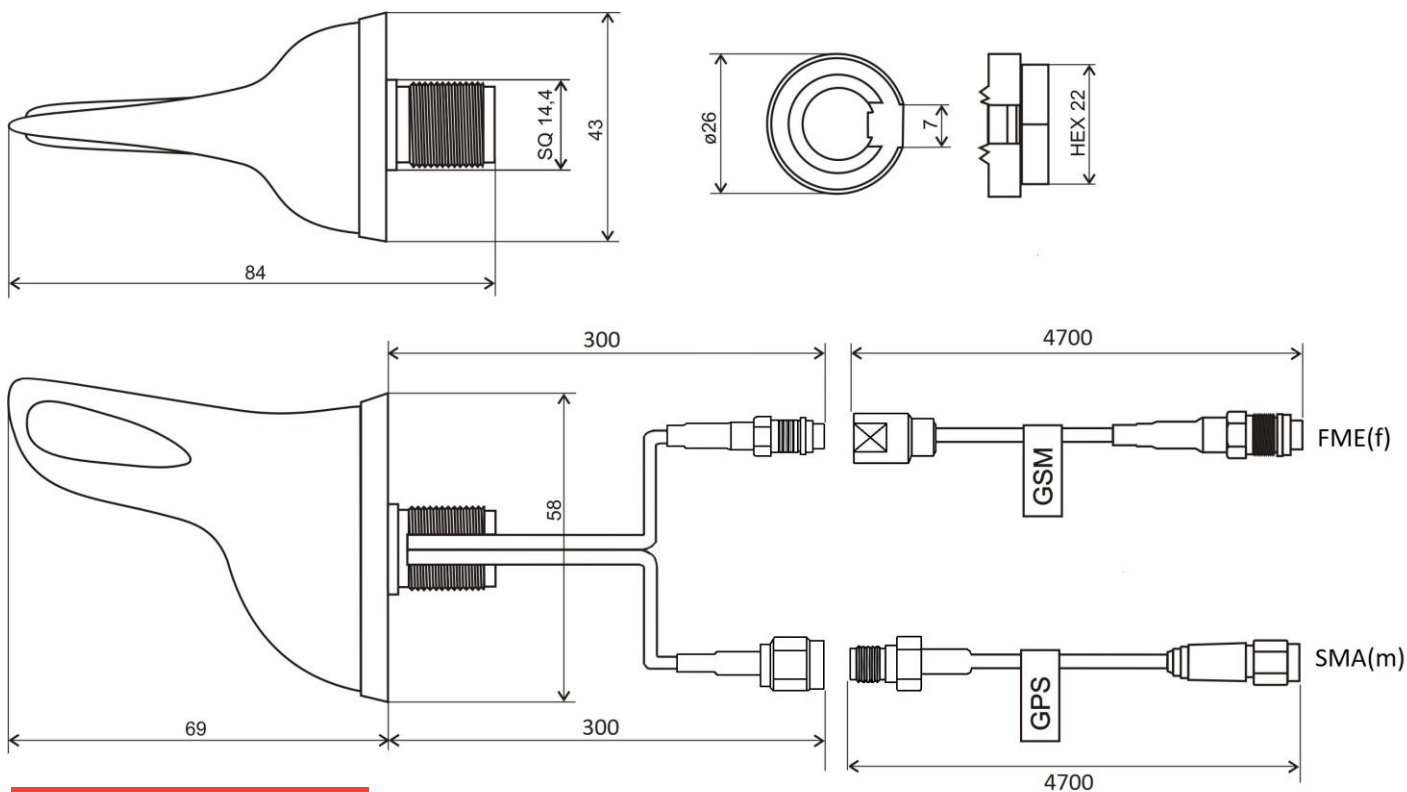
- Low VSWR
- High power supply range

## FEATURES

AO-AKC-31FS

Technology	GSM/GPS
Frequency bands	900/1800/1900/2100/1575.42 MHz
Bandwidth	10 MHz
Gain	0/30 dBi
VSWR	<2.0:1
Impedance	50 Ohm
Directivity	Omnidirectional
Beam angle	H 360° V 30°
Polarization	Linear/R.H.C.P.
Maximum input power	10 W
Power voltage	2.7 – 5.5 V DC
Dimensions	69 x 58 x 43 mm
Weight	87.53 g
Operating temperature	-30 to +90 °C
Execution	External
Method of attachment	Screw Mount
Cable type	2 x RG174/U
The cable length	2 x 5 m(30 cm + 470 cm)
Connector type	FME(f)/SMA(m)

## DRAWING



## CONTACTS

Unit: mm