



GSM/GSP ANTENNA

Antenna GSM/GPS Adhesive FLAT, SMA/SMB(f)

AO-AGSMAGPSB

SECTRON company offers a wide portfolio of GSM/GPS antennas with various versions differing in shape, level of gain and manner of attachment. SECTRON guarantees a compatible connection between an antenna and all antenna adaptors produced by SECTRON.

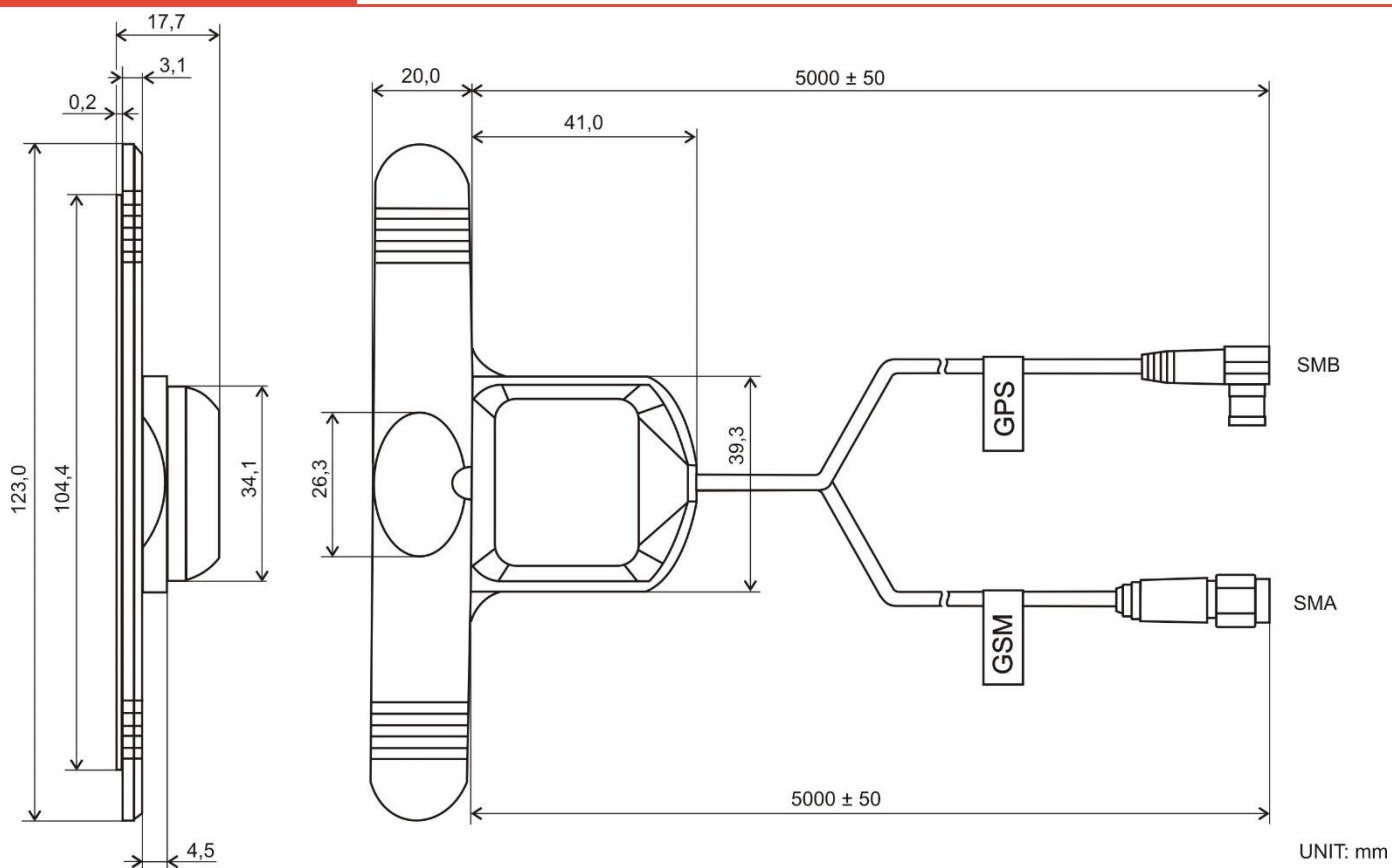


BENEFITS

- Suitable for indoor using
- Self-adhesive base
- Low VSWR

Technology	GSM/GPS
Frequency bands	800/900/1800/1575.42 MHz
Bandwidth	10 MHz
Gain	2.5/30 dBi
VSWR	<1.8:1/<2.0:1
Impedance	50 Ohm
Directivity	Omnidirectional
Beam angle	H 300° V 30°
Polarization	Linear/R.H.C.P.
Maximum input power	10 W
Power voltage	2.7 – 5.5 V
Dimensions	123 x 61 x 17.7 mm
Weight	176.17 g
Operating temperature	-30 to +90 °C
Execution	External
Method of attachment	Adhesive
Cable type	RG 174/U
The cable length	5 m
Connector type	SMA(m)/SMB(f)

DRAWING



Different connector variants or cable lengths are available on request.

CONTACTS

SECTRON s.r.o. Josefa Šavla 1271/12
709 00 Ostrava 9, Czech Republic

WWW.SECTRON.CZ
Tel.: +420 556 621 021