



GSM/UMTS ANTENNA

Antenna GSM/UMTS Connector Mount SMAK,

90°/180°, 2 dBi, SMA(m)

AO-AGSM-SMAK

SECTRON company offers a wide portfolio of GSM/UMTS antennas with various versions differing in shape, level of gain and manner of attachment. SECTRON guarantees a compatible connection between an antenna and all antenna adaptors produced by SECTRON.

BENEFITS

- No cable required
- Easy installation
- Adjustable angle

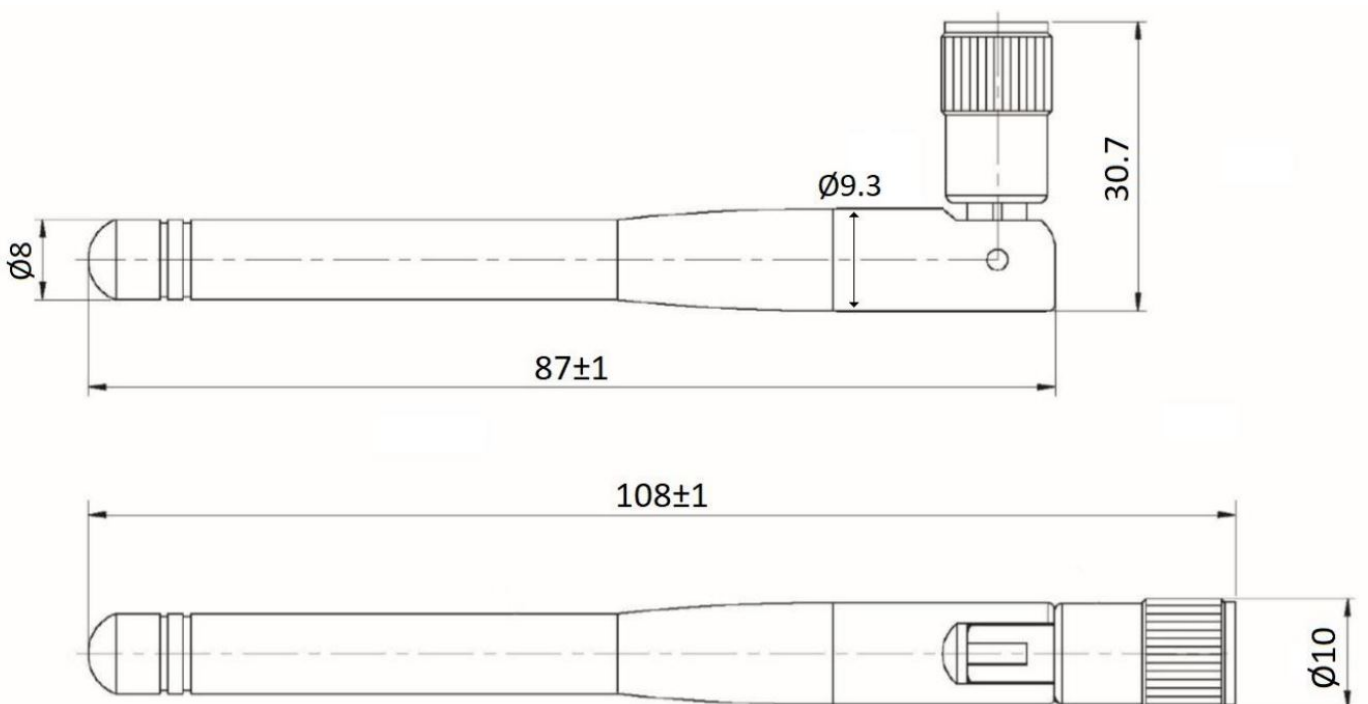


FEATURES

AO-AGSM-SMAK

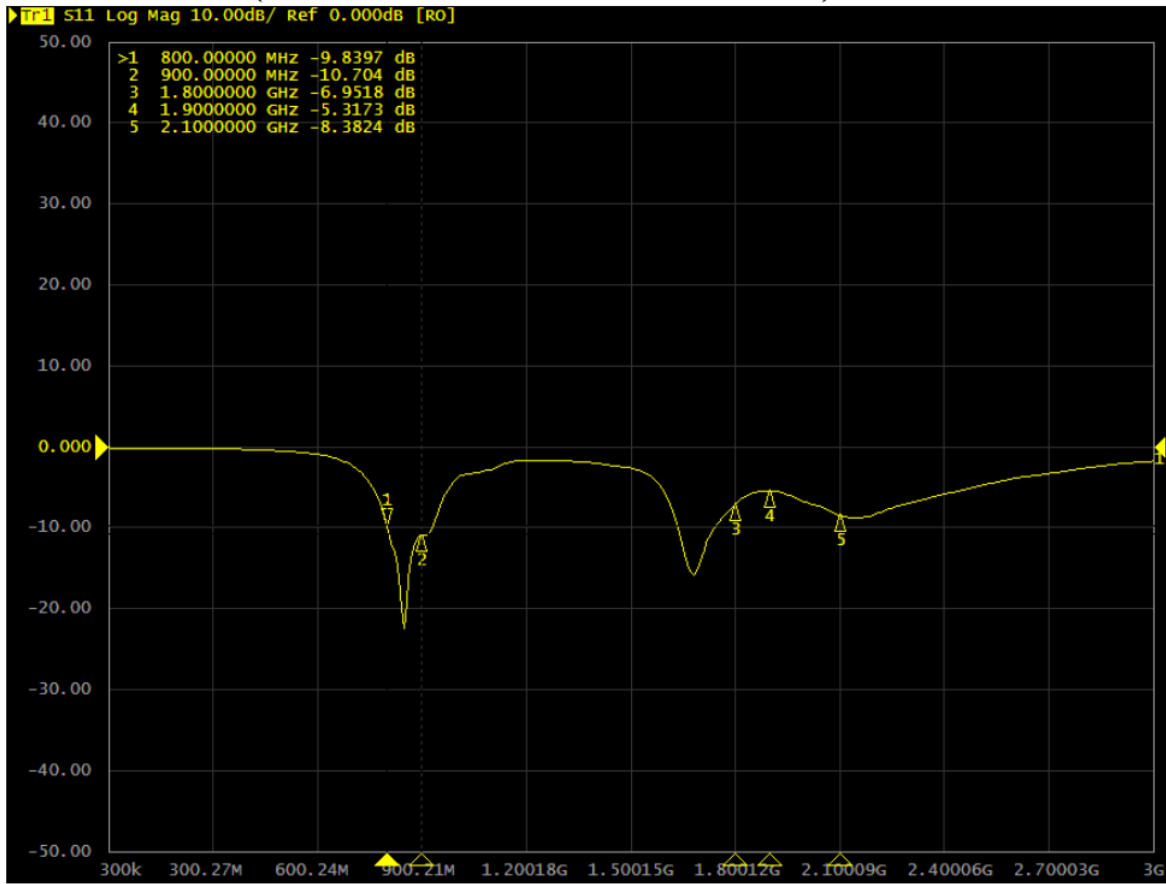
Technology	GSM/UMTS/LTE
Frequency bands	800~900/1800~2100 MHz
Bandwidth	-
Gain	2 dBi
VSWR	<2.5:1
Impedance	50 Ohm
Directivity	Omnidirectional
Beam angle	Attached graphs bellow
Polarization	Linear
Maximum input power	10 W
Power voltage	-
Dimensions	90°: $\varnothing 10 \times 87 \times 30.7$; 180°: $\varnothing 10 \times 108$ mm
Weight	7.24 g
Operating temperature	-30 to +90 °C
Execution	External
Method of attachment	ConnectorMount
Cable type	-
The cable length	-
Connector type	SMA(m)
Certification	RoHS

DRAWING

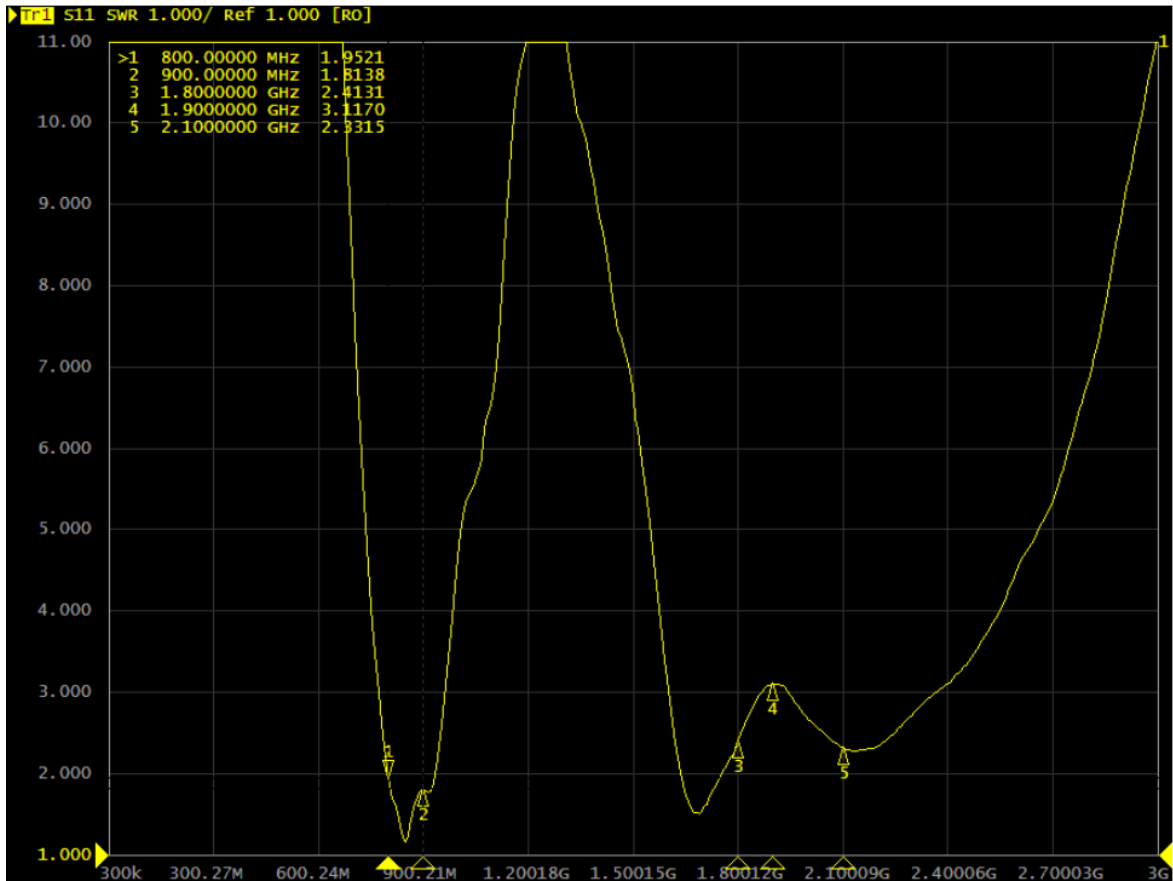


Unit: mm

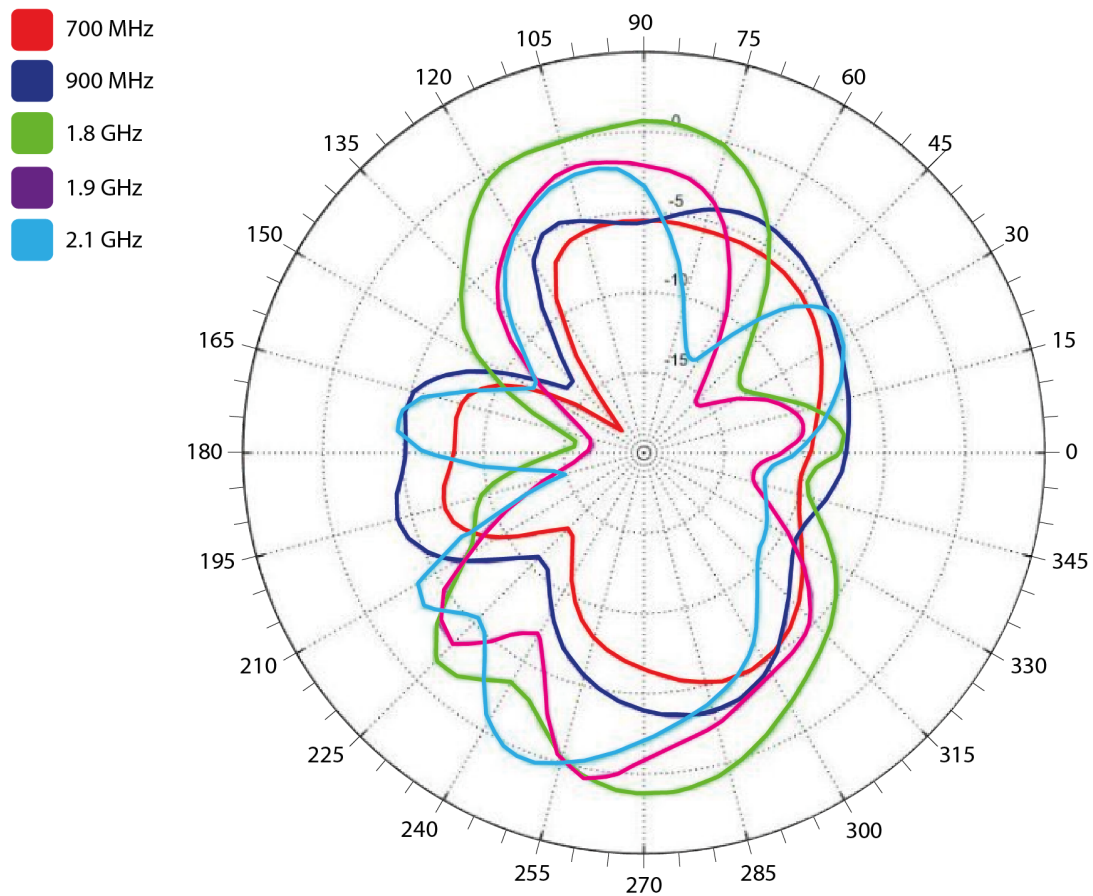
S_{11} - Return Loss [dB]



VSWR – Voltage standing wave ratio [-]



RADIATION PATTERN



SUMMARY

AO-AGSM-SMAK

Frequency [MHz]	S_{11} [dB]	VSWR [-]	Gain [dBi]	Efficiency [%]
800	-9.84	1.95	-4.08	21.53
800	-10.70	1.81	-3.01	30.06
1800	-6.95	2.41	1.84	65.01
1900	-5.31	3.11	0.92	40.27
2100	-8.38	2.33	1.82	42.07

VARIANTS

Different connector variants or cable lengths are available on request.

CONTACTS

SECTRON s.r.o. Josefa Šavla 1271/12
709 00 Ostrava 9, Czech Republic

WWW.SECTRON.CZ
Tel.: +420 556 621 020