



GSM ANTENNA

Antenna GSM/UMTS Stick
90°/180°, Penta-band, 2 dBi,
SMA(m)

AO-AGSM-SMAK

SECTRON company offers a wide portfolio of GSM antennas with various versions differing in shape, level of gain and manner of attachment. SECTRON guarantees a compatible connection between an antenna and all antenna adaptors produced by SECTRON.

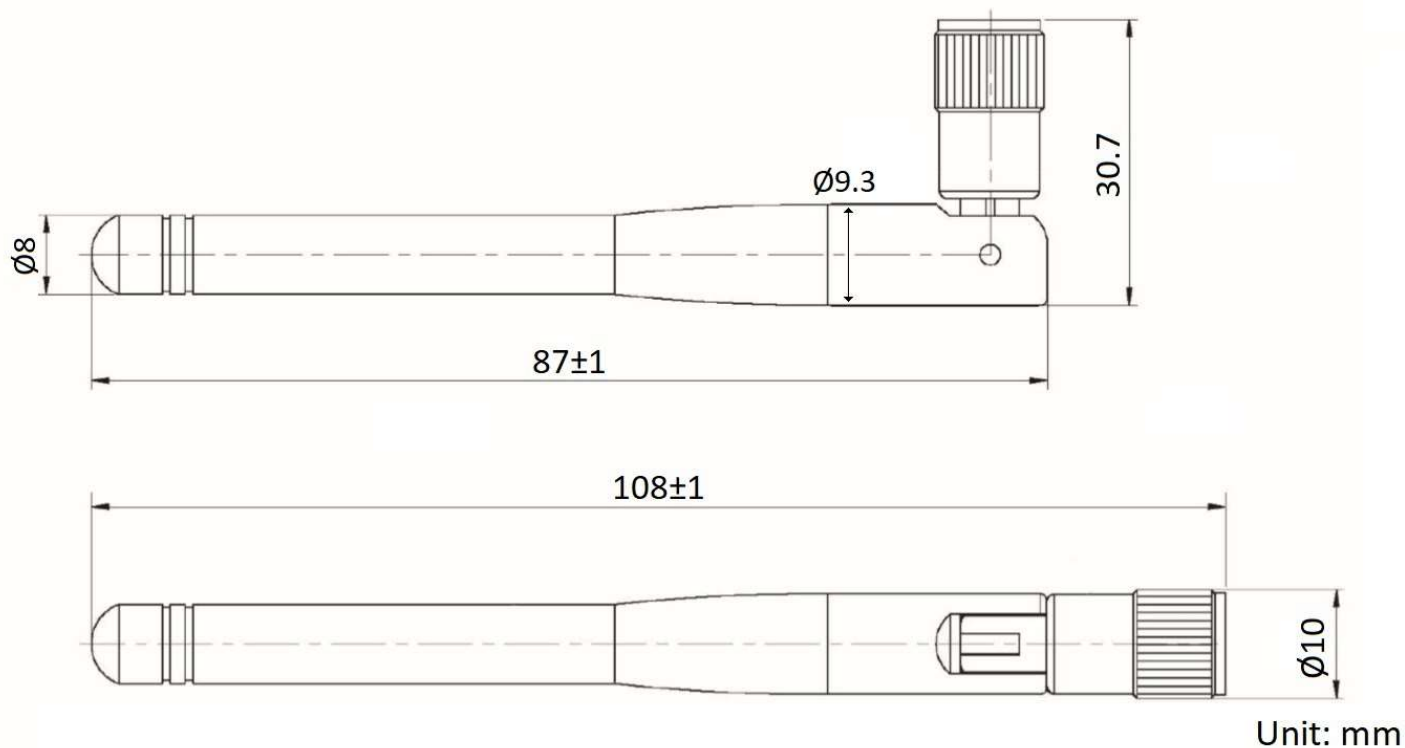


BENEFITS

- Low VSWR
- Adjustable angle
- No cable required

| | |
|-----------------------|--|
| Technology | GSM |
| Frequency bands | 900/1800 MHz |
| Bandwidth | - |
| Gain | 2 dBi |
| VSWR | <1.8:1 |
| Impedance | 50 Ohm |
| Directivity | Omnidirectional |
| Beam angle | H 360° V 30° |
| Polarization | Linear |
| Maximum input power | 10 W |
| Power voltage | - |
| Dimensions | 90°: 87 x 30.7 x 10; 180°: 108 x 10 Ø mm |
| Weight | 9.56 g |
| Operating temperature | -30 to + 90 °C |
| Execution | External |
| Method of attachment | Stick |
| Cable type | - |
| The cable length | - |
| Connector type | SMA(m) |

DRAWING



CONTACTS