



GSM ANTENNA

Antenna GSM Stick 90°/180°,
Dual-band, 2 dBi, SMA(m)

AO-AGSM-SMAK2

SECTRON company offers a wide portfolio of GSM antennas with various versions differing in shape, level of gain and manner of attachment. SECTRON guarantees a compatible connection between an antenna and all antenna adaptors produced by SECTRON.

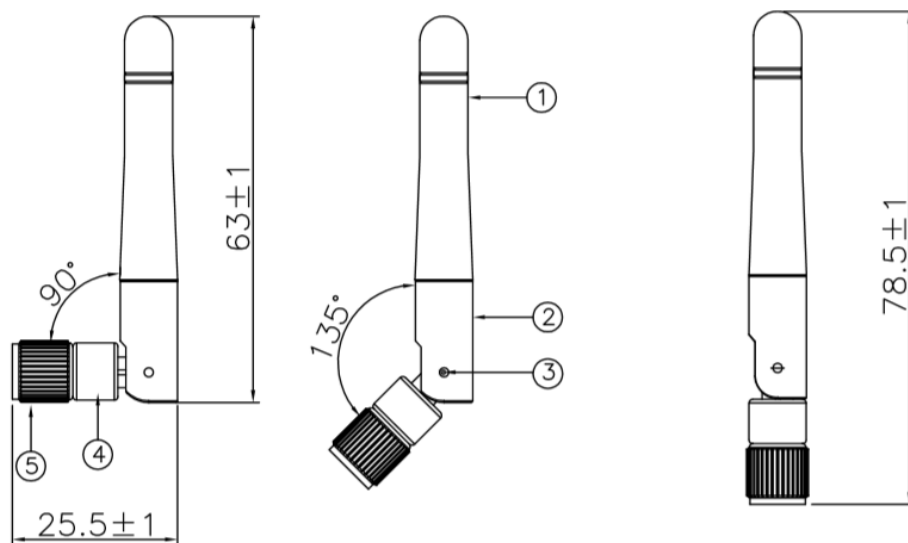


BENEFITS

- Compact design
- Adjustable angle
- No cable required
- Easy installation

Technology	GSM
Frequency bands	800/900/1700/1800 MHz
Bandwidth	-
Gain	2 dBi
VSWR	<2.8:1
Impedance	50 Ohm
Directivity	Omnidirectional
Beam angle	Attached graphs below
Polarization	Vertical
Maximum input power	10 W
Power voltage	-
Dimensions	78.5 x \varnothing 9 mm
Weight	6.09 g
Operating temperature	-20 to +80 °C
Execution	External
Method of attachment	Screw
Cable type	-
The cable length	-
Connector type	SMA(m)
Certification	RoHS, ISO 9001, 14001

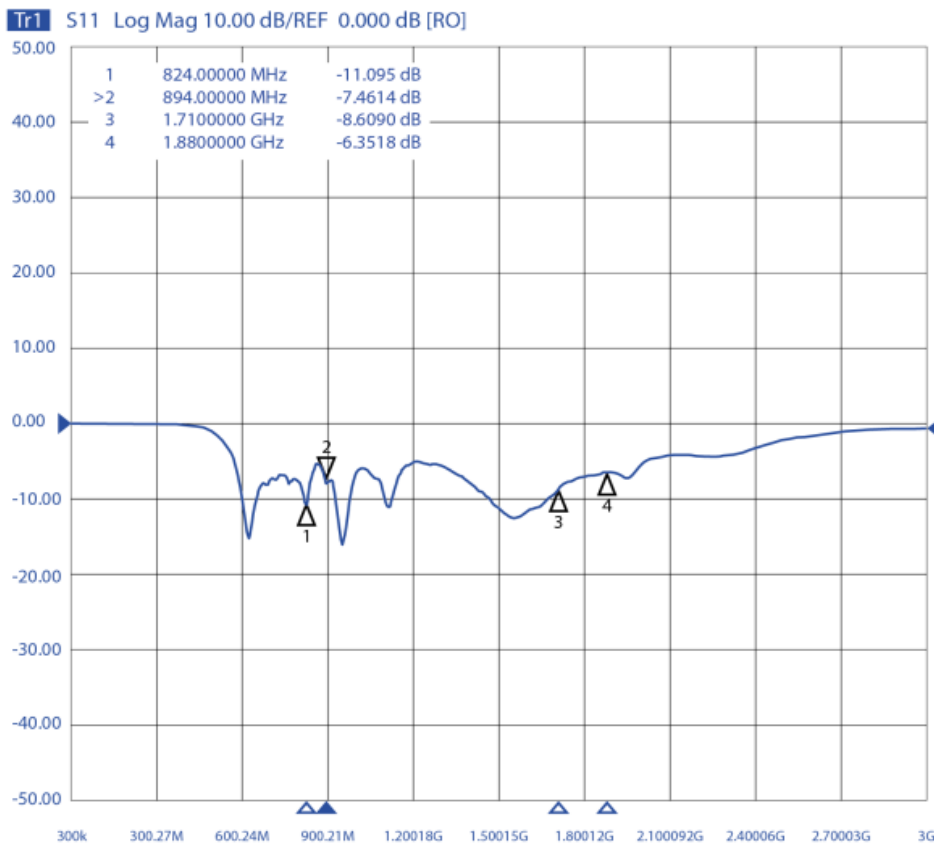
DRAWING



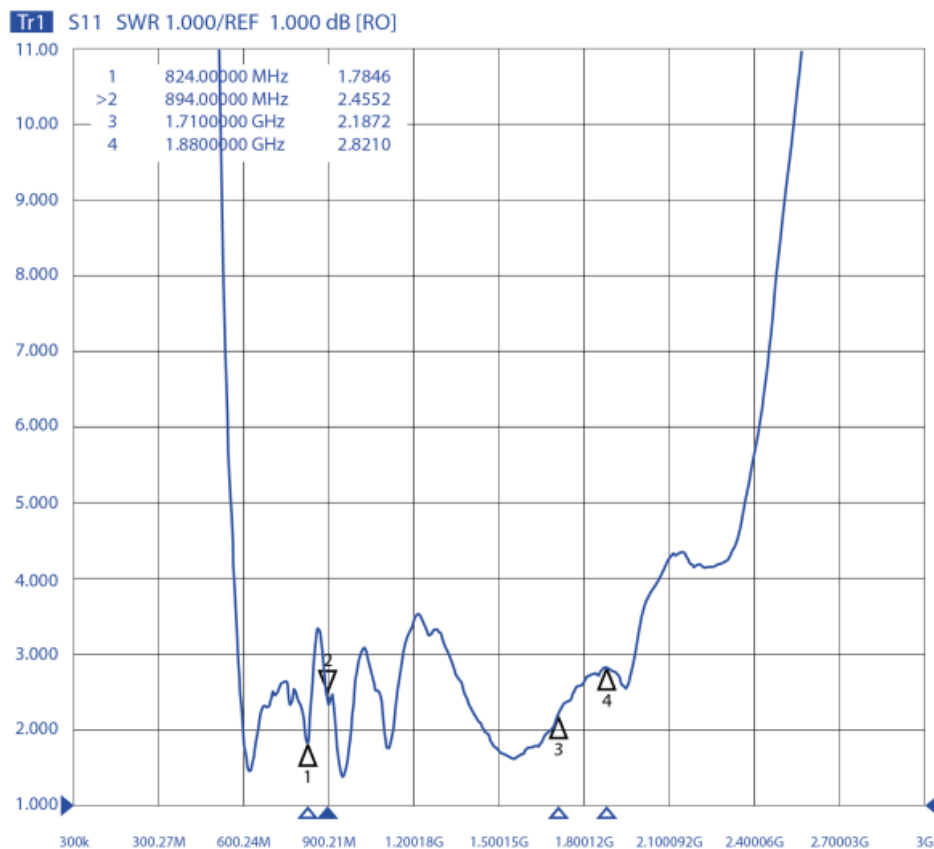
UNIT: mm

5	SMA Connector	Ni / Plated	1
4	Bottom Base	PBT / Black	1
3	Rivet	POM / Black	2
2	Upper Base	PC / Black	1
1	Antenna Cap	TPE / Black	1

S11 - Return Loss [dB] – measured



VSWR – Standing wave ratio – measured



CONTACTS