



## GSM ANTENNA

Antenna GSM Magnetic Mount,  
Unscrew Whip, 4 dBi,  
SMA(m), RG174/2m

AO-AGSM-MGOP3S2

SECTRON company offers a wide portfolio of GSM antennas with various versions differing in shape, level of gain and manner of attachment. SECTRON guarantees a compatible connection between an antenna and all antenna adaptors produced by SECTRON.



### BENEFITS

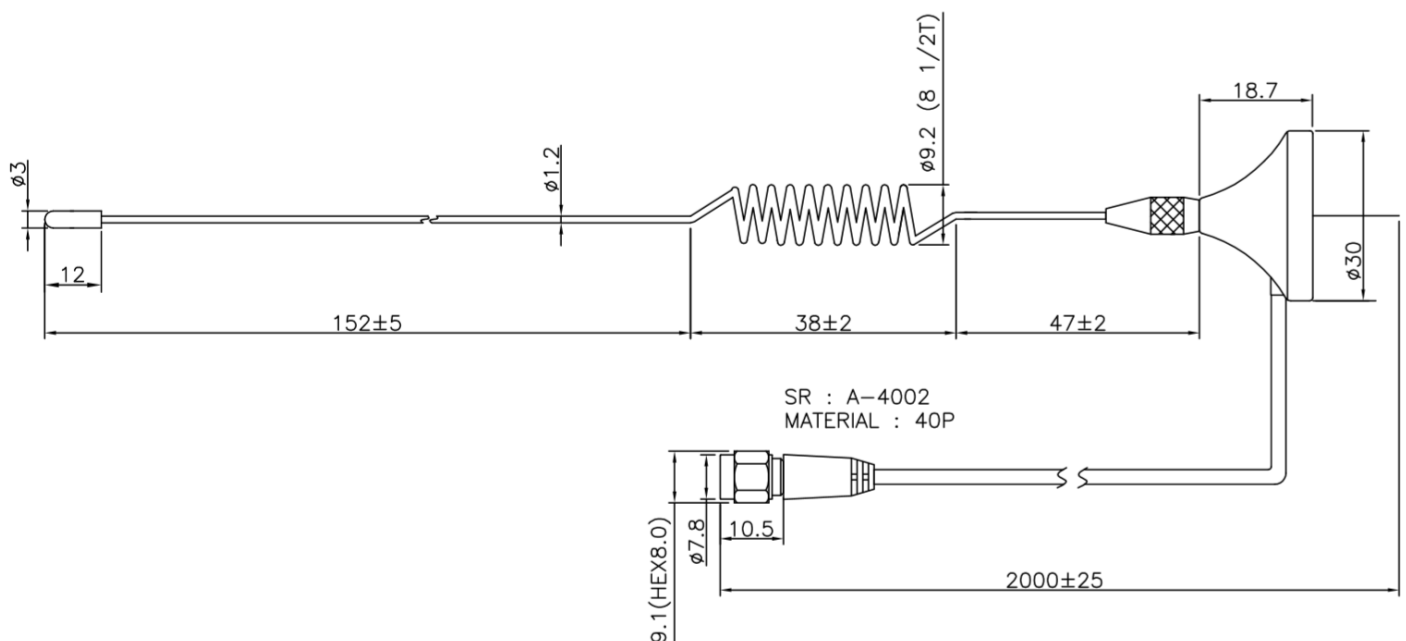
- Omnidirectional - suitable for moving devices
- Easy installation
- High gain

## FEATURES

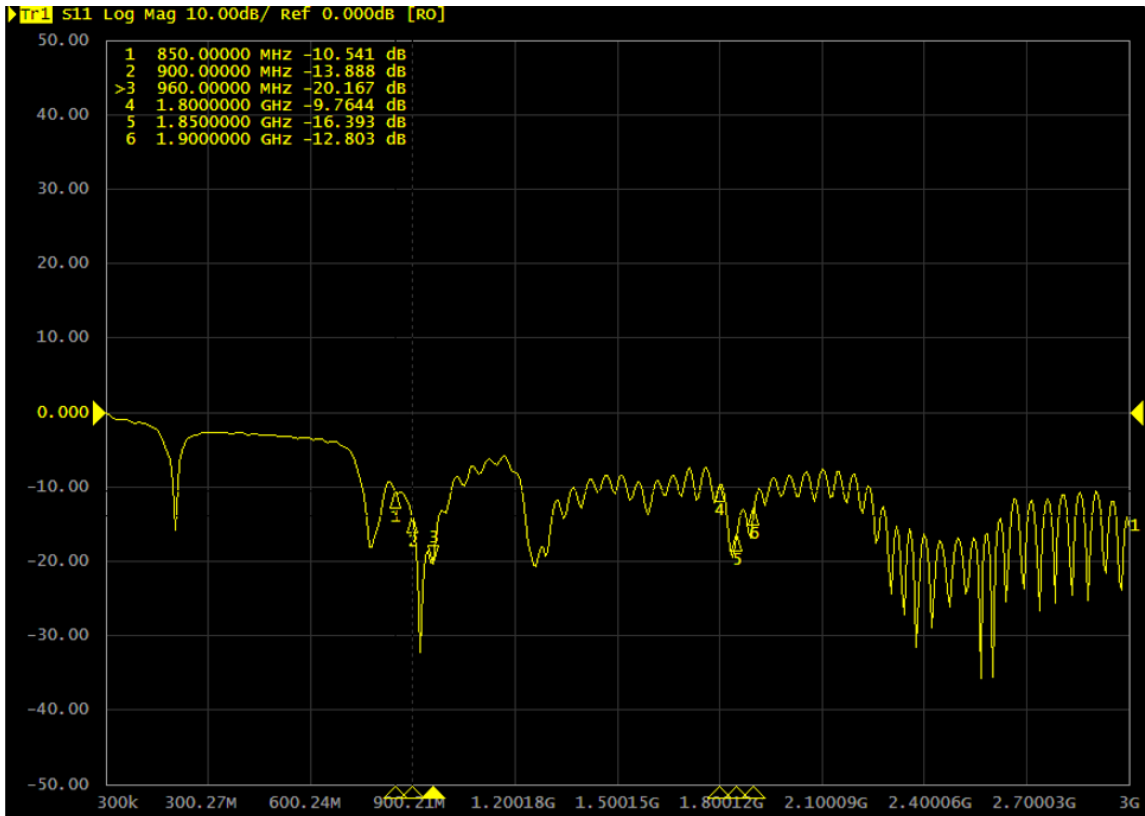
AO-AGSM-MGOP3S2

Technology	GSM
Frequency bands	-
Bandwidth	-
Gain	4 dBi
VSWR	<2:1
Impedance	50 Ohm
Directivity	Omnidirectional
Beam angle	Attached graph below
Polarization	Linear (vertical)
Maximum input power	10 W
Power voltage	-
Dimensions	255.7 x $\varnothing$ 30 mm
Weight	60 g
Operating temperature	-20 to +105 °C
Execution	External
Method of attachment	Magnetic
Cable type	RG174/U
The cable length	2 m
Connector type	SMA(m)
Certification	RoHS, ISO 9001, ISO 14001
IP code	IP65

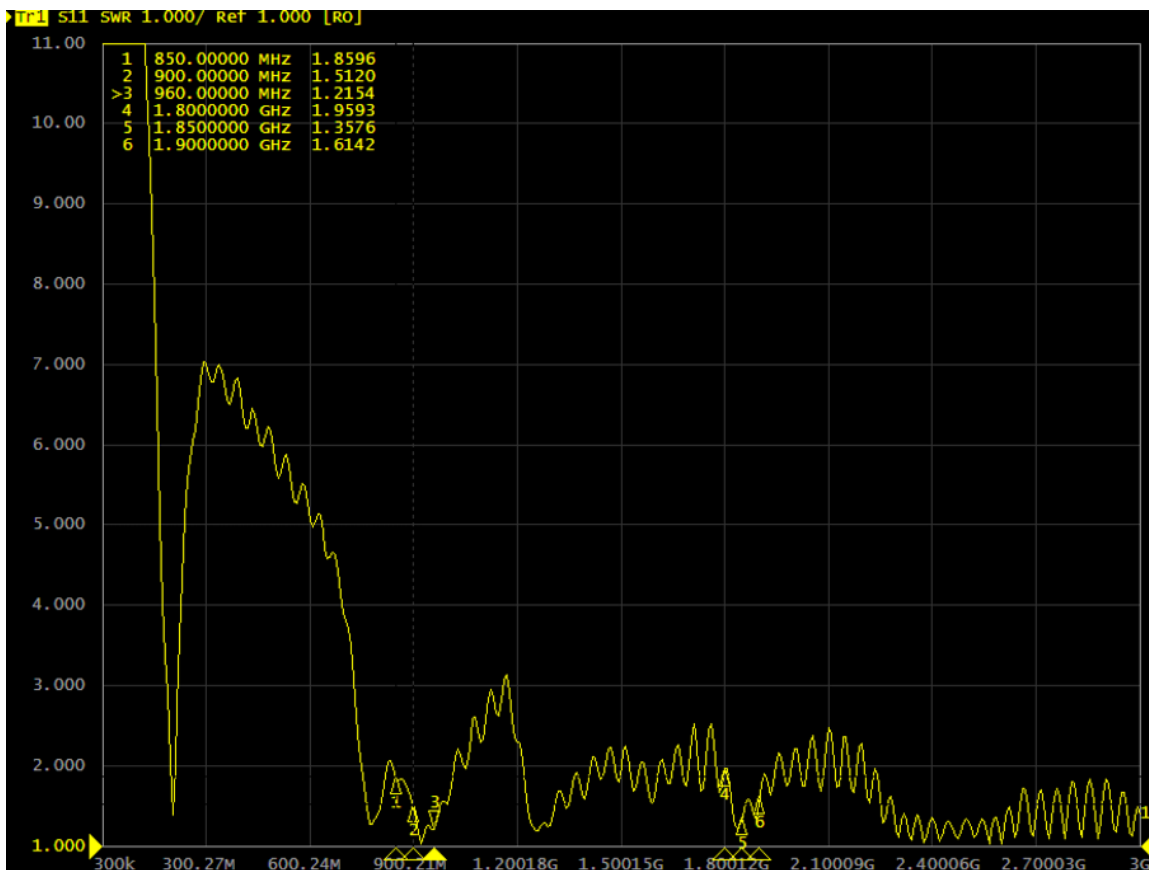
## DRAWING



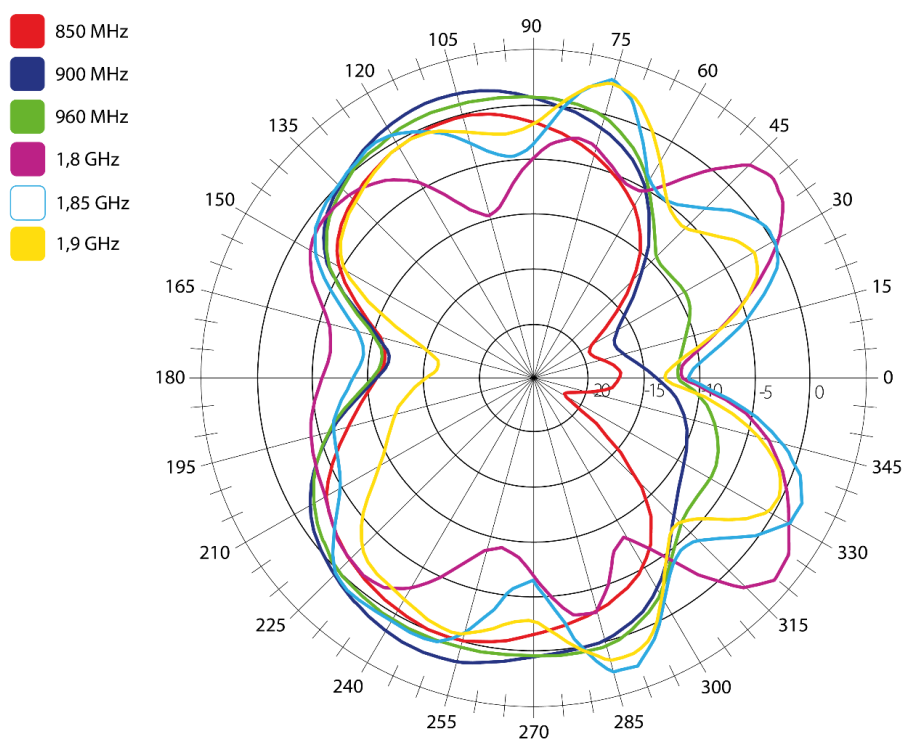
**S<sub>11</sub> – Return loss [dB]**



**VSWR – Voltage standing wave ratio [-]**



## Radiation pattern



## TEST RESULTS

Frequency [MHz]	Return loss [dB]	VSWR	Efficiency [%]	Gain [dBi]
850	-10.54	1.85	49.98	-0.16
900	-13.88	1.51	81.1	1.91
960	-20.16	1.21	76.38	1.06
1800	-9.76	1.95	54.08	2.66
1850	-16.39	1.35	83.95	3.8
1900	-12.8	1.61	67.3	2.98

## ALL VARIANTS

Different connector variants or cable lengths are available on request.

## CONTACTS

SECTRON s.r.o. Josefa Šavla 1271/12  
709 00 Ostrava 9, Czech Republic

WWW.SECTRON.CZ  
Tel.: +420 556 621 020