



## GSM/UMTS ANTENNA

Antenna GSM/UMTS

Magnetic 50, 5 dBi,

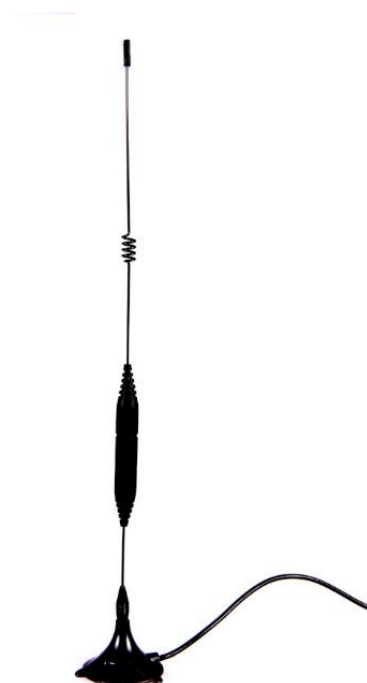
MCX90(m), RG174/1 m

AO-AGSM-MG5M1

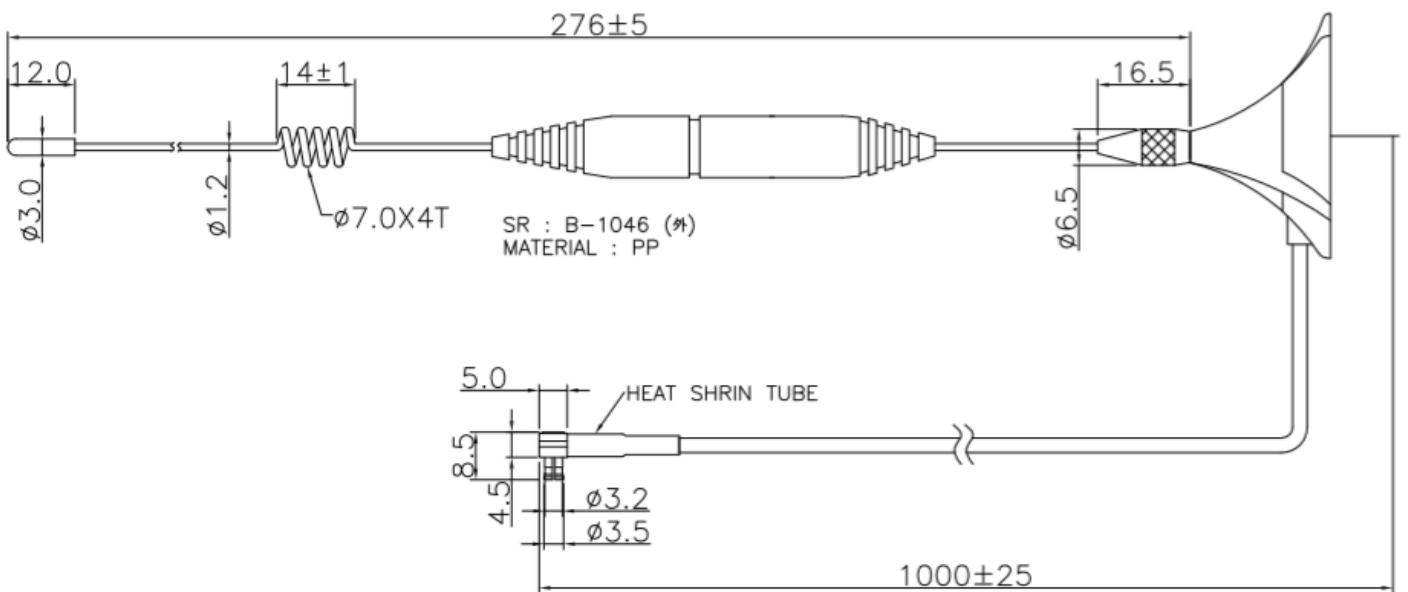
SECTRON company offers a wide portfolio of GSM/UMTS antennas with various versions differing in shape, level of gain and manner of attachment. SECTRON guarantees a compatible connection between an antenna and all antenna adaptors produced by SECTRON.

### BENEFITS

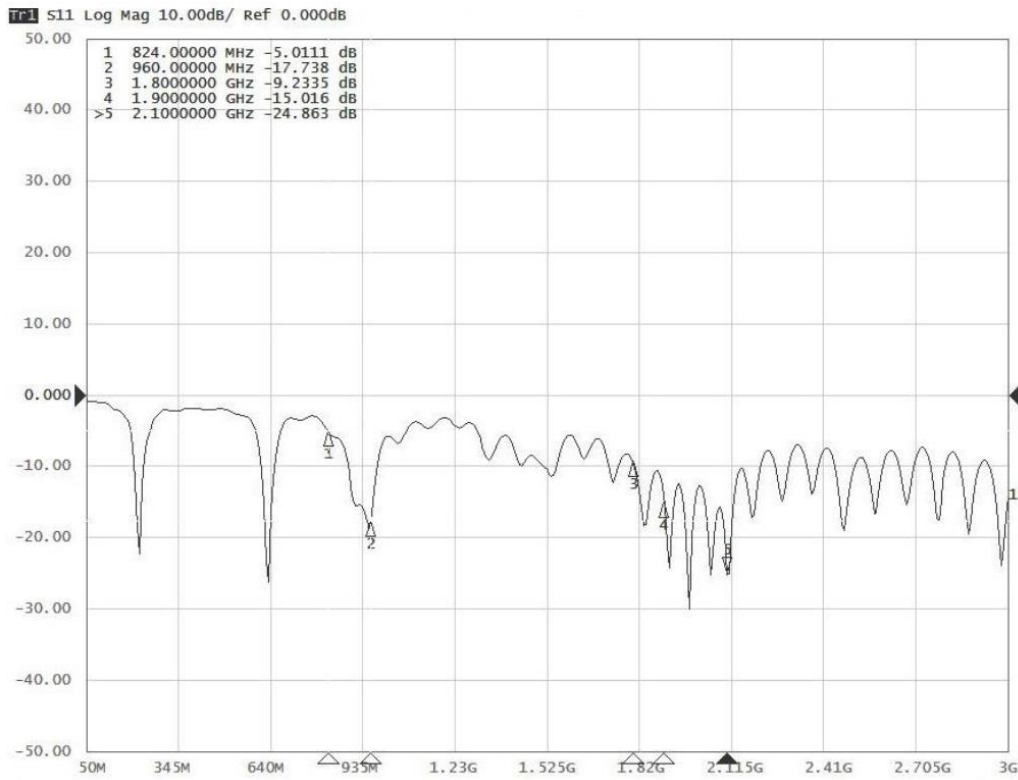
- Easy installation
- Magnetic mount
- Omnidirectional – suitable for moving devices



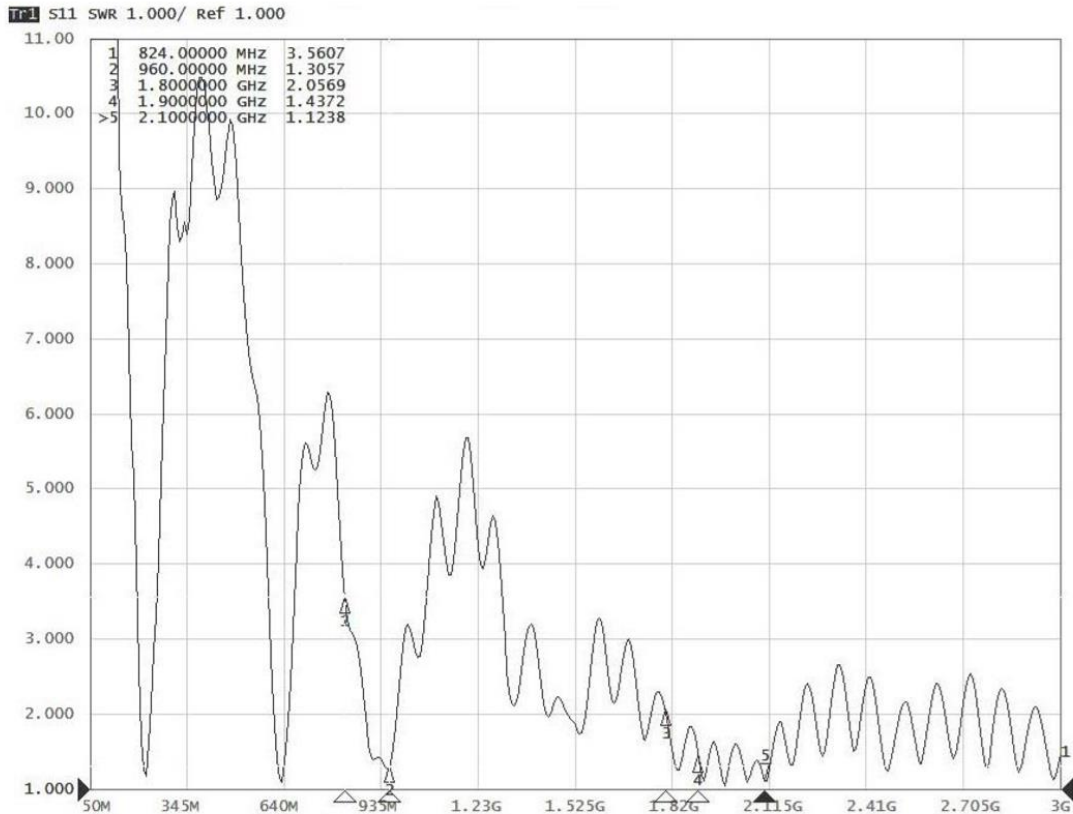
Technology	GSM/UMTS
Frequency bands	824/960/1800/1900/2100 MHz
Bandwidth	-
Gain	5 dBi
VSWR	< 3.5:1
Impedance	50 Ohm
Directivity	Omnidirectional
Beam angle	H-360°, V-30°
Polarization	Vertical
Maximum input power	10 W
Power voltage	-
Dimensions	Base $\varnothing$ 40 x Rod 276 mm (300 mm total)
Weight	35.06 g
Operating temperature	-40 to +85 °C
Execution	External
Method of attachment	Magnetic
Cable type	RG174 / U
The cable length	1 m
Connector type	MCX(m)90°
Certificate	RoHS, ISO 9001, 14001



### S<sub>11</sub> - Return loss [dB]



### SWR – Standing wave ratio [-]



Different connector variants or cable lengths are available on request.

CONTACTS

---

SECTRON s.r.o. Josefa Šavla 1271/12  
709 00 Ostrava 9, Czech Republic

WWW.SECTRON.CZ  
Tel.: +420 556 621 021