



# GSM ANTENNA

Antenna GSM Magnet Mount 50,  
5 dBi, FME(f), RG174/3m

AO-AGSM-MG5F

SECTRON company offers a wide portfolio of GSM antennas with various versions differing in shape, level of gain and manner of attachment. SECTRON guarantees a compatible connection between an antenna and all antenna adaptors produced by SECTRON.

## BENEFITS

- Low VSWR
- Omnidirectional
- Easy installation

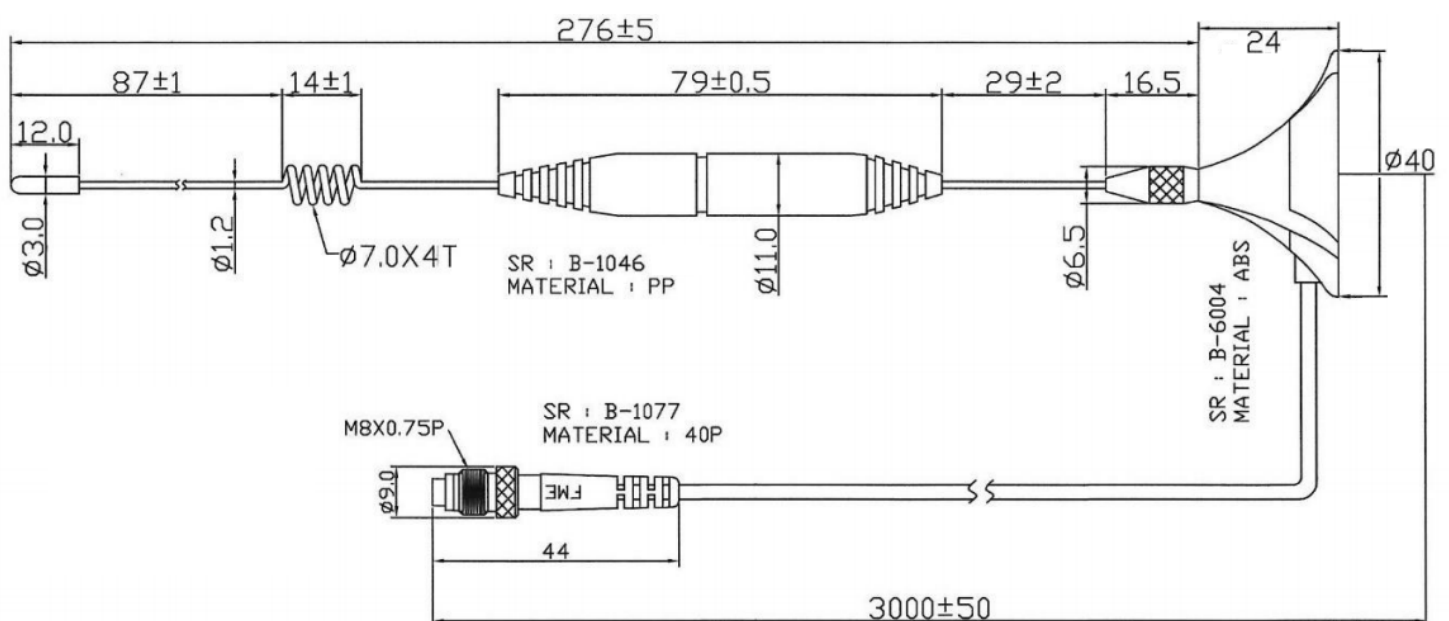


## FEATURES

AO-AGSM-MG5F

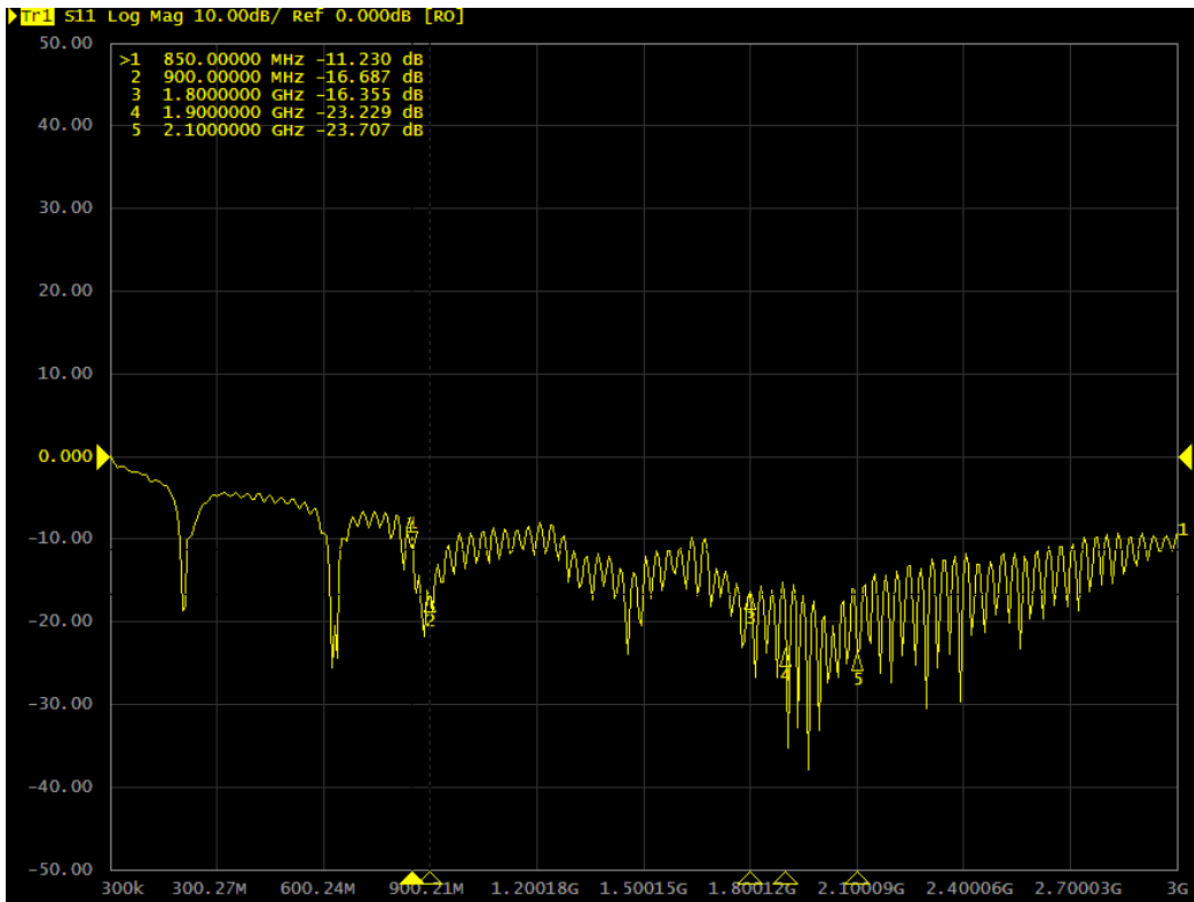
Technology	GSM
Frequency bands	900/1800/1900/2100 MHz
Bandwidth	-
Gain	5 dBi
VSWR	<1.8:1
Impedance	50 Ohm
Directivity	Omnidirectional
Beam angle	Attached graphs bellow
Polarization	Linear
Maximum input power	10 W
Power voltage	-
Dimensions	Ø40 x 300 mm
Weight	60 g
Operating temperature	-30 to +90 °C
Execution	External
Method of attachment	Magnet Mount
Cable type	RG174/U
The cable length	3 m
Connector type	FME(f)
Certification	RoHS, ISO9001, ISO14001
Material	PP, ABS

## DRAWING

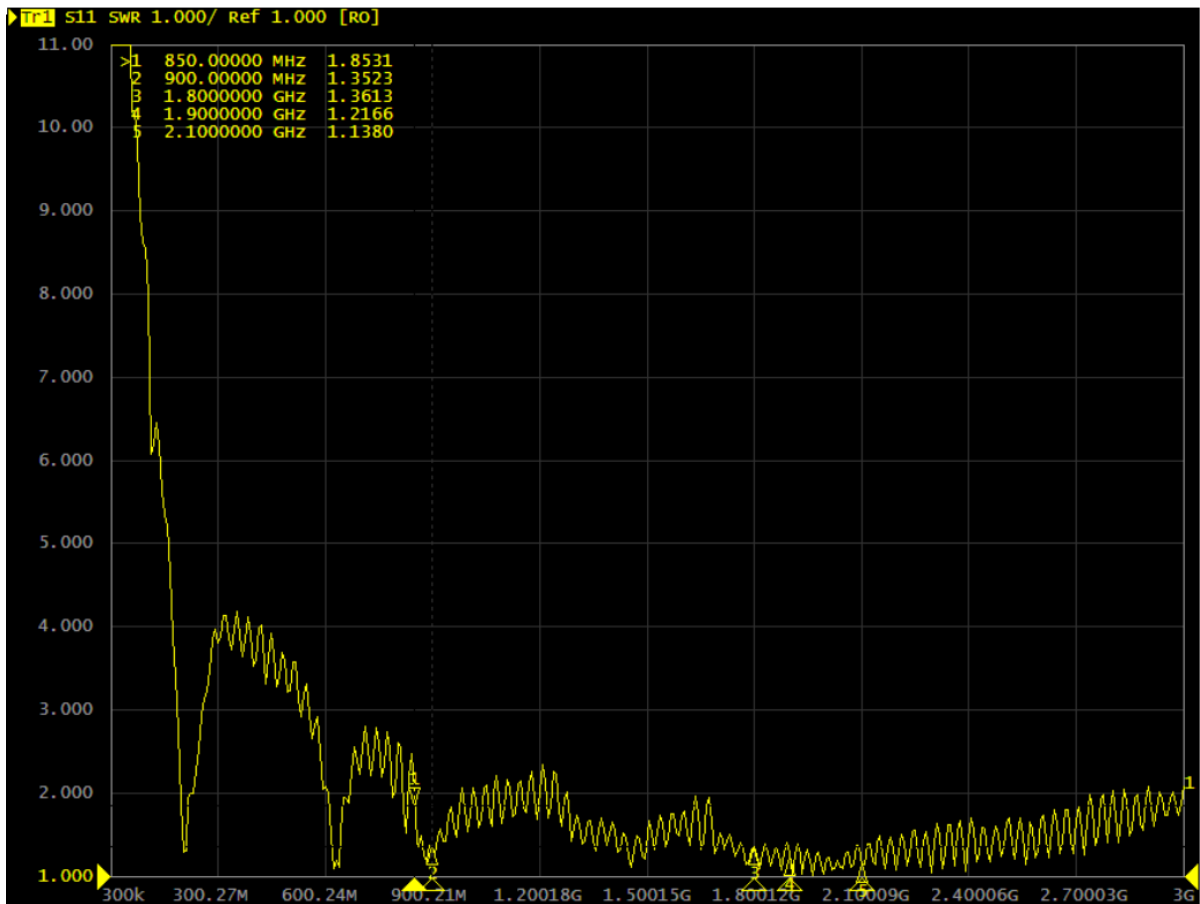


Unit: mm

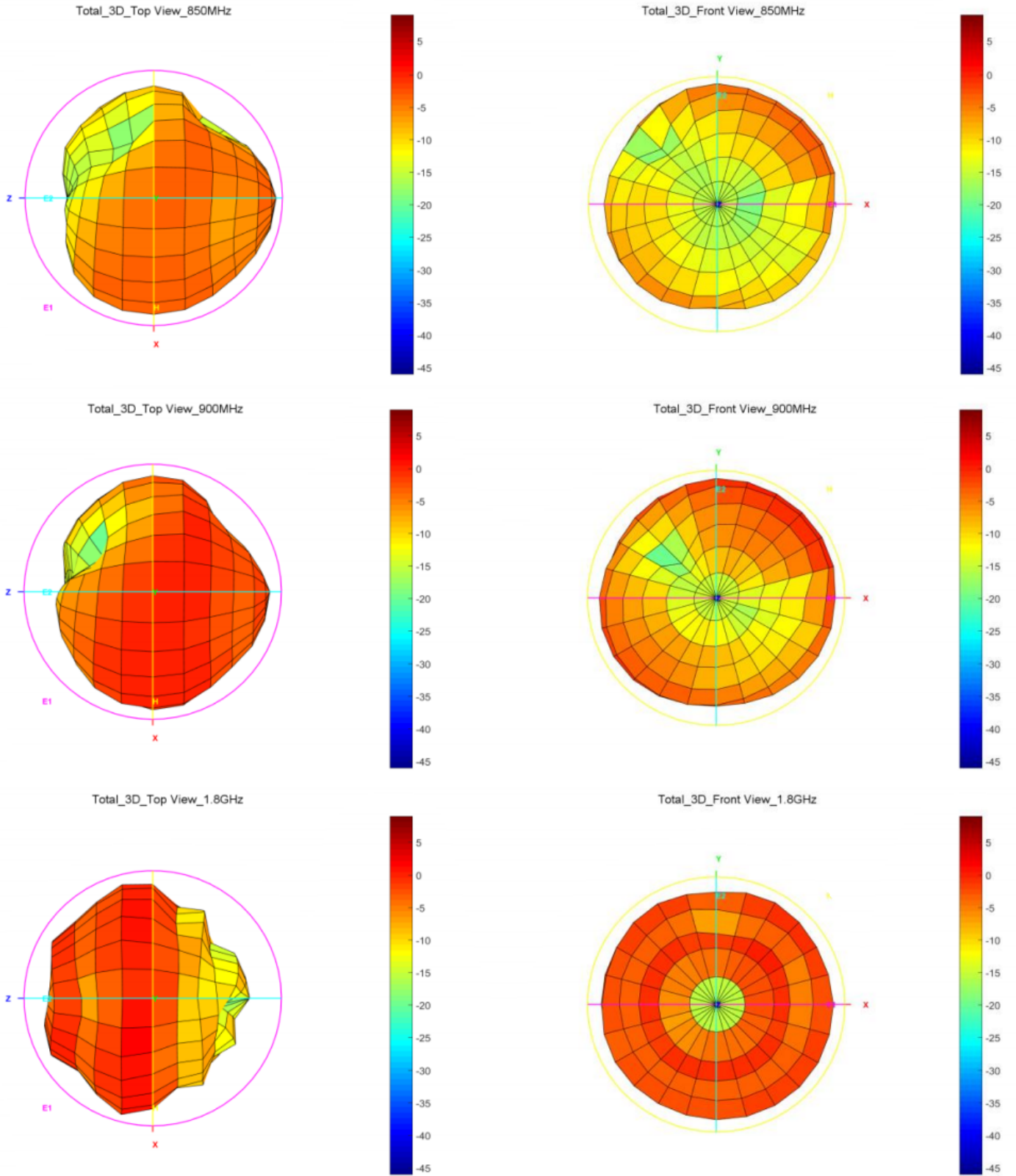
$S_{11}$  - Return Loss [dB]



VSWR – Voltage standing wave ratio [-]



### 3D RADIATION PATTERN



## SUMMARY

---

Frequency [MHz]	$S_{11}$ [dB]	VSWR [-]	Efficiency [%]	Gain [dB]
850	-11.23	1.85	19.68	-3.08
900	-16.68	1.35	42.85	0.4
1800	-16.35	1.36	44.67	1.48
1900	-23.22	1.21	42.95	1.11
2100	-23.70	1.13	54.58	3.45

## VARIANTS

---

Different connector variants or cable lengths are available on request.

## CONTACTS

---

SECTRON s.r.o. Josefa Šavla 1271/12  
709 00 Ostrava 9, Czech Republic

WWW.SECTRON.CZ  
Tel.: +420 556 621 020