



GSM ANTENNA

Antenna GSM Magnetic 25,
2.5 dBi, SMA(m), RG174/2.5m

AO-AGSM-MG2S

SECTRON company offers a wide portfolio of GSM antennas with various versions differing in shape, level of gain and manner of attachment. SECTRON guarantees a compatible connection between an antenna and all antenna adaptors produced by SECTRON.

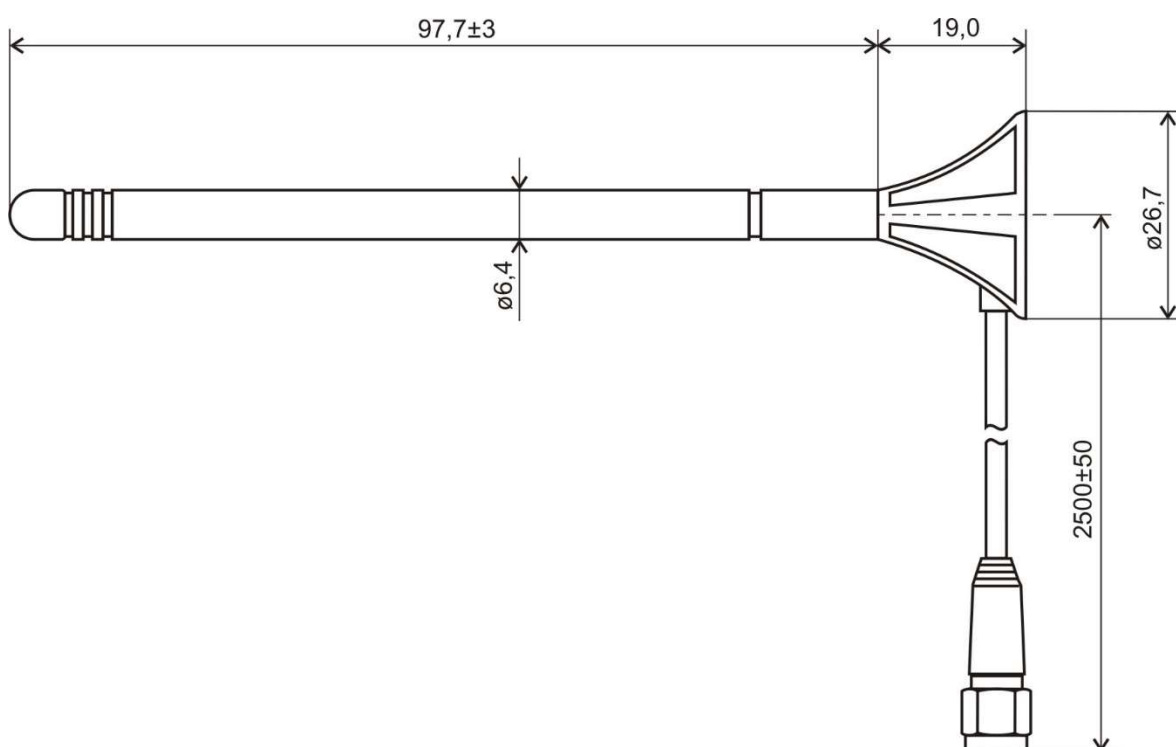
BENEFITS

- Easy installation
- Omnidirectional - suitable for moving devices



Technology	GSM
Frequency bands	900/1800 MHz
Bandwidth	-
Gain	2.5 dBi
VSWR	<2.5:1
Impedance	50 Ohm
Directivity	Omnidirectional
Beam angle	H 360° V 30°
Polarization	Linear
Maximum input power	10 W
Power voltage	-
Dimensions	116.7 x \varnothing 26.7 mm
Weight	39.49 g
Operating temperature	-30 to +90 °C
Execution	External
Method of attachment	Magnetic
Cable type	RG174/U
The cable length	2.5 m
Connector type	SMA(m)

DRAWING



UNIT: mm

Different connector variants or cable lengths are available on request.