



GSM ANTENNA

Antenna GSM Magnetic 25,
2.5 dBi, SMA(m), RG174 5m

AO-AGSM-MG25

SECTRON company offers a wide portfolio of GSM antennas with various versions differing in shape, level of gain and manner of attachment. SECTRON guarantees a compatible connection between an antenna and all antenna adaptors produced by SECTRON.

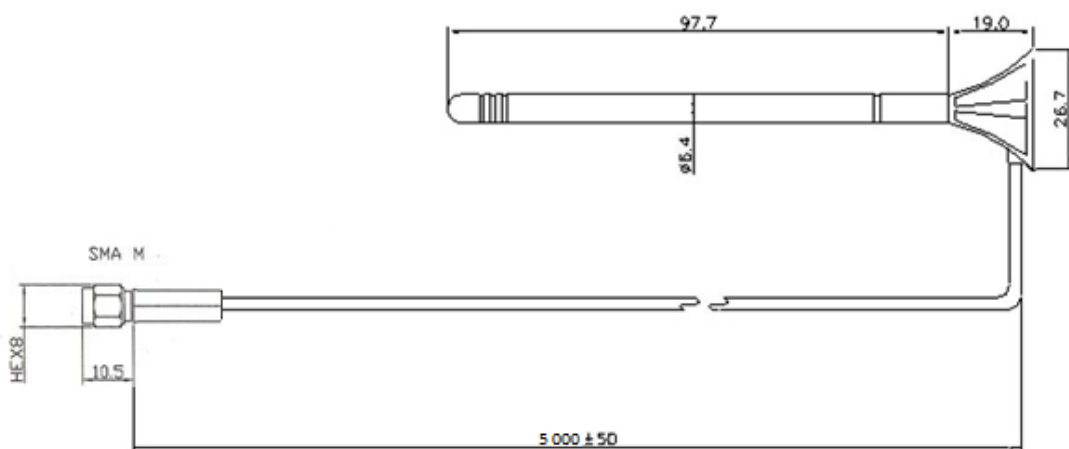


BENEFITS

- Easy installation
- Omnidirectional - suitable for moving devices

Technology	GSM
Frequency bands	900/1800 MHz
Bandwidth	-
Gain	2.5 dBi
VSWR	<2.5:1
Impedance	50 Ohm
Directivity	Omnidirectional
Beam angle	H 360° V 30°
Polarization	Vertical
Maximum input power	10 W
Power voltage	-
Dimensions	26.7 x 116.7 mm
Weight	64.71 g
Operating temperature	-30 to +90 °C
Execution	External
Method of attachment	Magnetic
Cable type	RG174 / U
The cable length	5 m
Connector type	SMA (m)

DRAWING



Units: mm

VARIANT	PART NUMBER

CONTACTS

SECTRON s.r.o. Josefa Šavla 1271/12
709 00 Ostrava 9, Czech Republic

WWW.SECTRON.CZ
Tel.: +420 556 621 021