



GSM ANTENNA

Antenna GSM Connector Mount
FMER, 90°, 0 dBi, FME(f) 90°

AO-AGSM-FMER

SECTRON company offers a wide portfolio of GSM antennas with various versions differing in shape, level of gain and manner of attachment. SECTRON guarantees a compatible connection between an antenna and all antenna adaptors produced by SECTRON.

BENEFITS

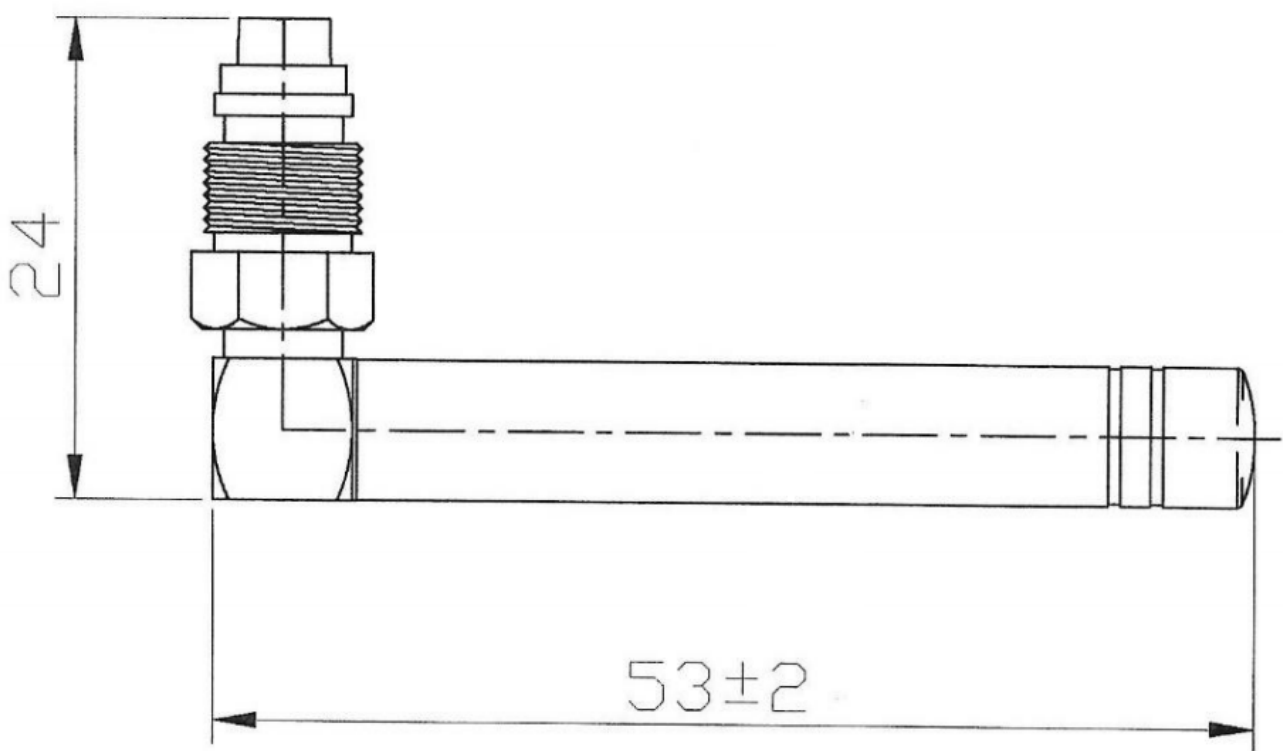
- Minimalistic dimensions
- Omnidirectional antenna
- Easy installation



FEATURES

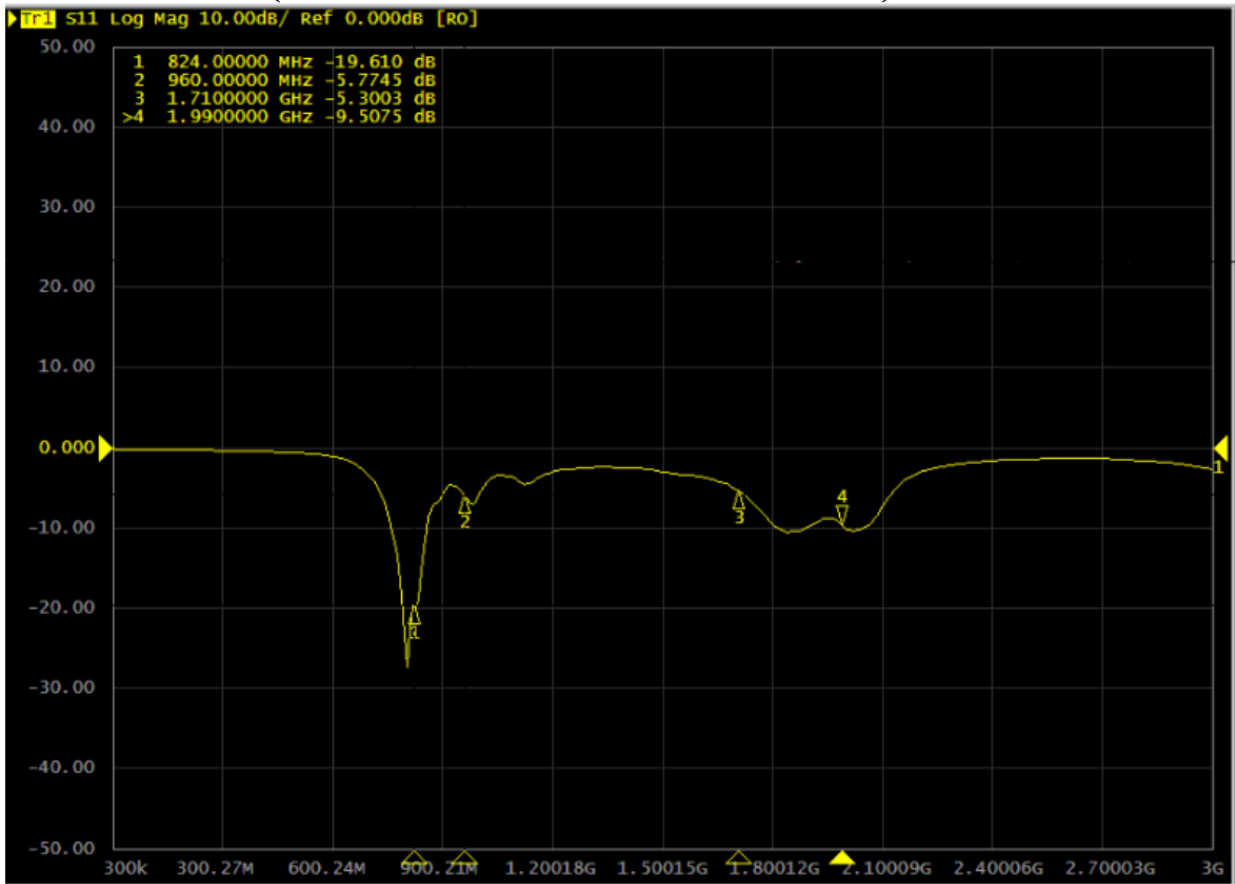
AO-AGSM-FMER

Technology	GSM/UMTS
Frequency bands	800/900/1700/1800/1900 MHz
Bandwidth	-
Gain	0 dBi
VSWR	<3.0:1
Impedance	50 Ohm
Directivity	Omnidirectional
Beam angle	Attached graphs bellow
Polarization	Linear
Maximum input power	10 W
Power voltage	-
Dimensions	10.0 x 24.0 x 53.0 mm
Weight	7.47 g
Operating temperature	-30 to +70 °C
Execution	External
Method of attachment	Connector Mount
Cable type	-
The cable length	-
Connector type	FME(f)
Certification	RoHS, ISO9001, ISO14001

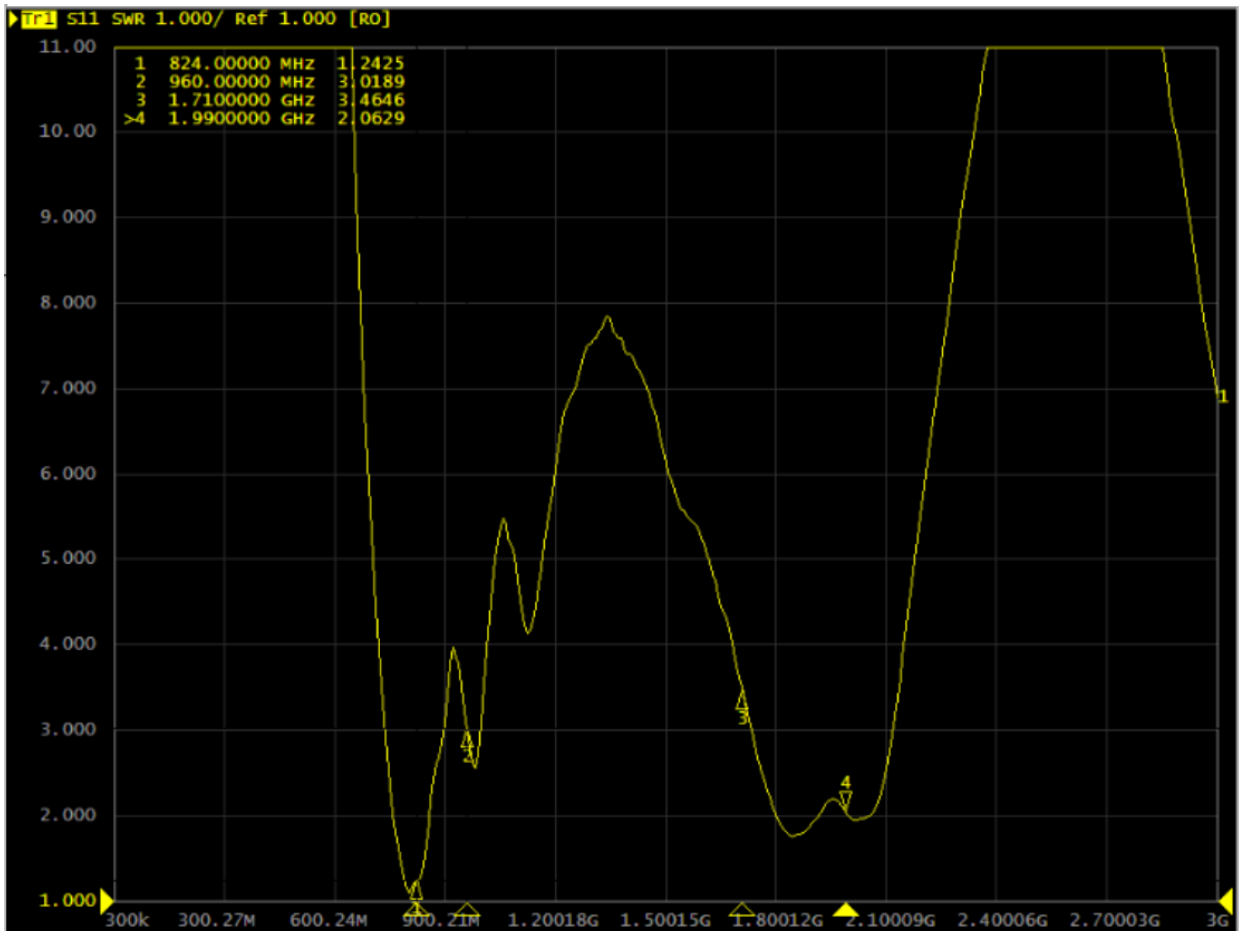
DRAWING

Unit: mm

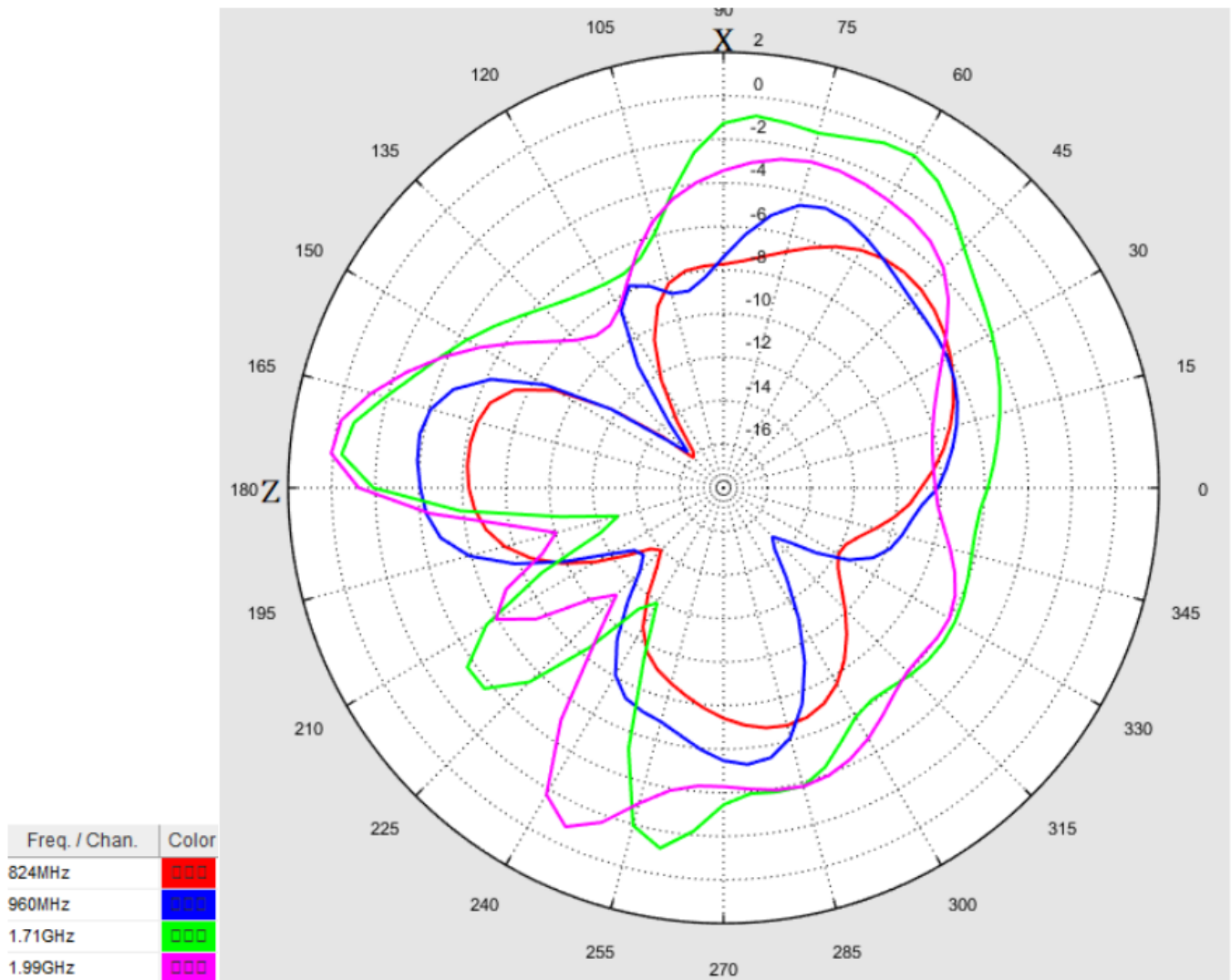
S_{11} - Return Loss [dB]



VSWR – Voltage standing wave ratio [-]



RADIATION PATTERN



SUMMARY

Frequency [MHz]	S_{11} [dB]	VSWR [-]	Efficiency [%]	Gain [dBi]
824	-19.61	1.24	18.84	-4.66
960	-5.77	3.01	23.6	-3.18
1710	-5.30	3.46	44.16	0.5
1990	-9.50	2.06	39.9	0.32

VARIANTS

Different connector variants or cable lengths are available on request.

CONTACTS

SECTRON s.r.o. Josefa Šavla 1271/12
709 00 Ostrava 9, Czech Republic

WWW.SECTRON.CZ
Tel.: +420 556 621 020