



## GSM ANTENNA

Antenna GSM Stick 90°,  
Dual-band, 0 dBi, FME(f)90°

AO-AGSM-FMER

SECTRON company offers a wide portfolio of GSM antennas with various versions differing in shape, level of gain and manner of attachment. SECTRON guarantees a compatible connection between an antenna and all antenna adaptors produced by SECTRON.

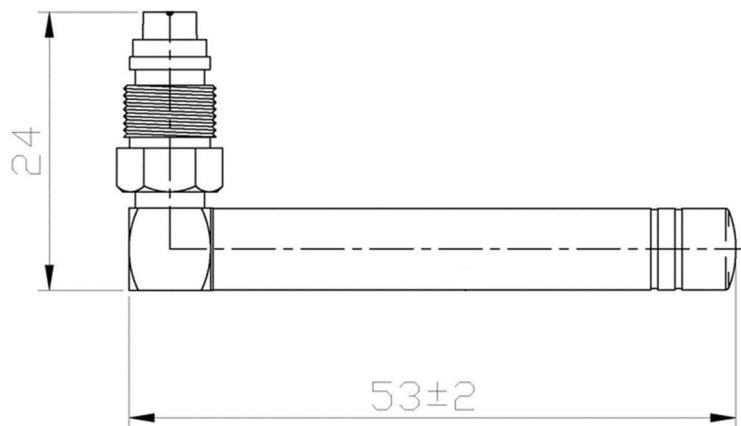


### BENEFITS

- No cable required

Technology	GSM
Frequency bands	900/1800/1900 MHz
Bandwidth	-
Gain	0 dBi
VSWR	<1.8:1
Impedance	50 Ohm
Directivity	Omnidirectional
Beam angle	H 360° V 30°
Polarization	Linear
Maximum input power	10 W
Power voltage	-
Dimensions	10 x 53 x 24.1 mm
Weight	7.47 g
Operating temperature	-30 to +90 °C
Execution	External
Method of attachment	Screw
Cable type	-
The cable length	-
Connector type	FME(f) 90°

## DRAWING



## CONTACTS

SECTRON s.r.o. Josefa Šavla 1271/12  
709 00 Ostrava 9, Czech Republic

WWW.SECTRON.CZ  
Tel.: +420 556 621 021

VARIANT	PART NUMBER

## CONTACTS

SECTRON s.r.o. Josefa Šavla 1271/12  
709 00 Ostrava 9, Czech Republic

WWW.SECTRON.CZ  
Tel.: +420 556 621 021