



GSM ANTENNA

Antenna GSM/UMTS

Stick 90°/180°, Penta-band,
2 dBi, FME(f)

AO-AGSM-FMEK

SECTRON company offers a wide portfolio of GSM antennas with various versions differing in shape, level of gain and manner of attachment. SECTRON guarantees a compatible connection between an antenna and all antenna adaptors produced by SECTRON.

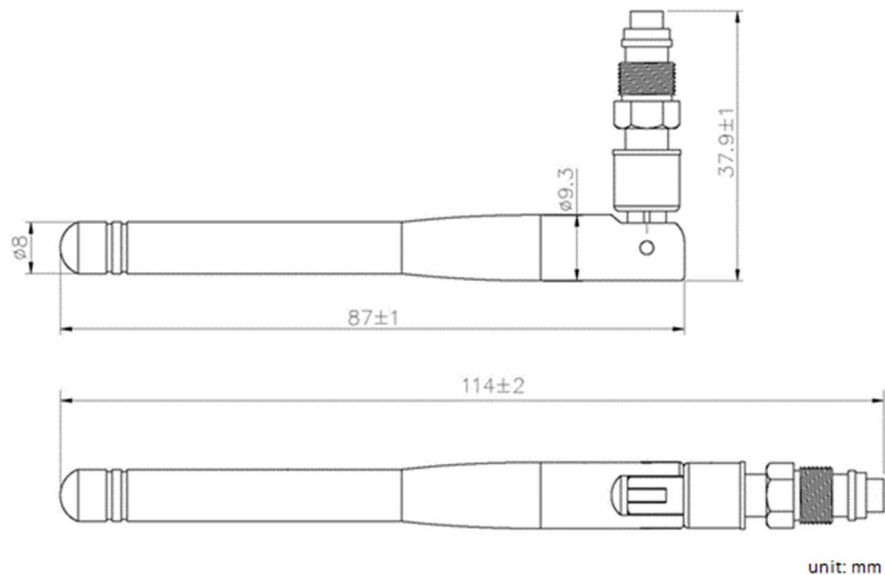
BENEFITS

- Adjustable angle
- No cable required



Technology	GSM/UMTS
Frequency bands	800/900/1800/1900/2100 MHz
Bandwidth	-
Gain	2 dBi
VSWR	<2.5:1
Impedance	50 Ohm
Directivity	Omnidirectional
Beam angle	H 360° V 30°
Polarization	Linear
Maximum input power	10 W
Power voltage	-
Dimensions	180°: 114 x \varnothing 9.3; 90°: 87 x 37.9 x \varnothing 9.3 mm
Weight	12.03 g
Operating temperature	-20 to +60 °C
Execution	External
Method of attachment	Screw
Cable type	-
The cable length	-
Connector type	FME(f)

DRAWING



CONTACTS