



GSM ANTENNA

Antenna GSM Screw Mount R32,
SMA(m), RG174U/5m

AO-AGSM-CAPS

SECTRON company offers a wide portfolio of GSM antennas with various versions differing in shape, level of gain and manner of attachment. SECTRON guarantees a compatible connection between an antenna and all antenna adaptors produced by SECTRON.

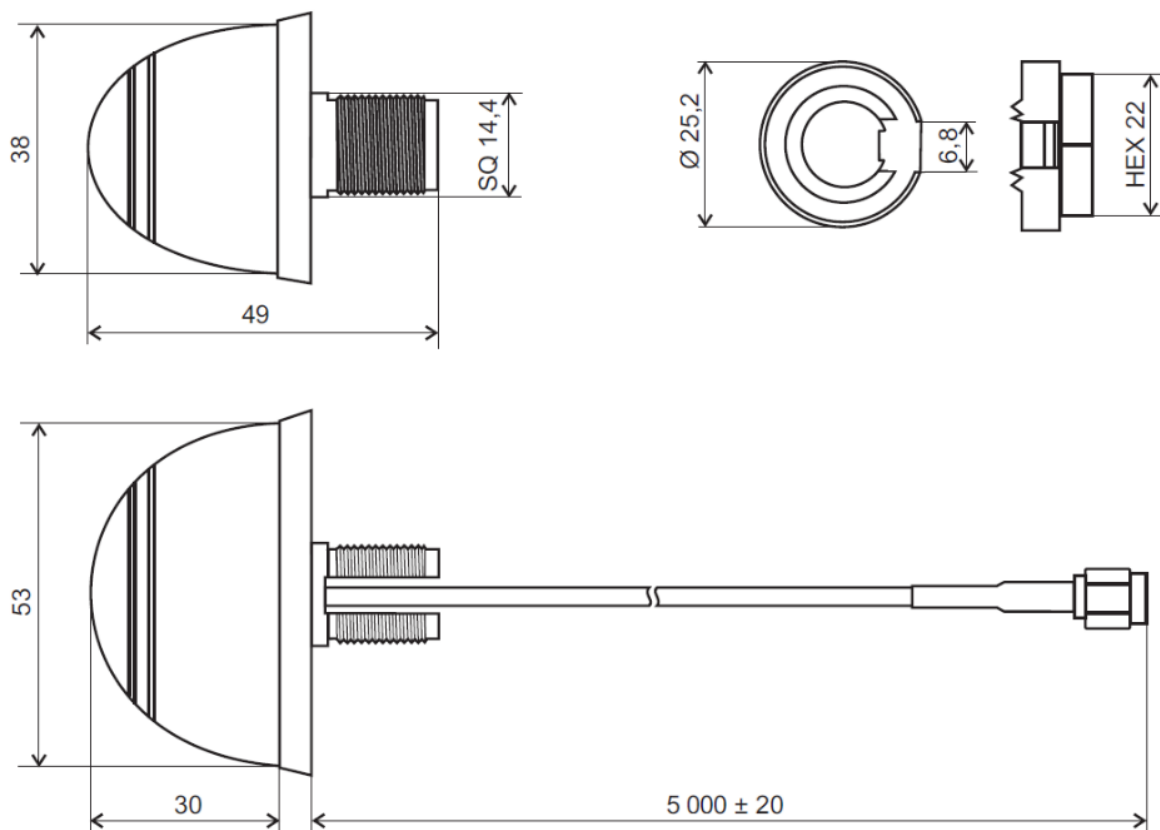


BENEFITS

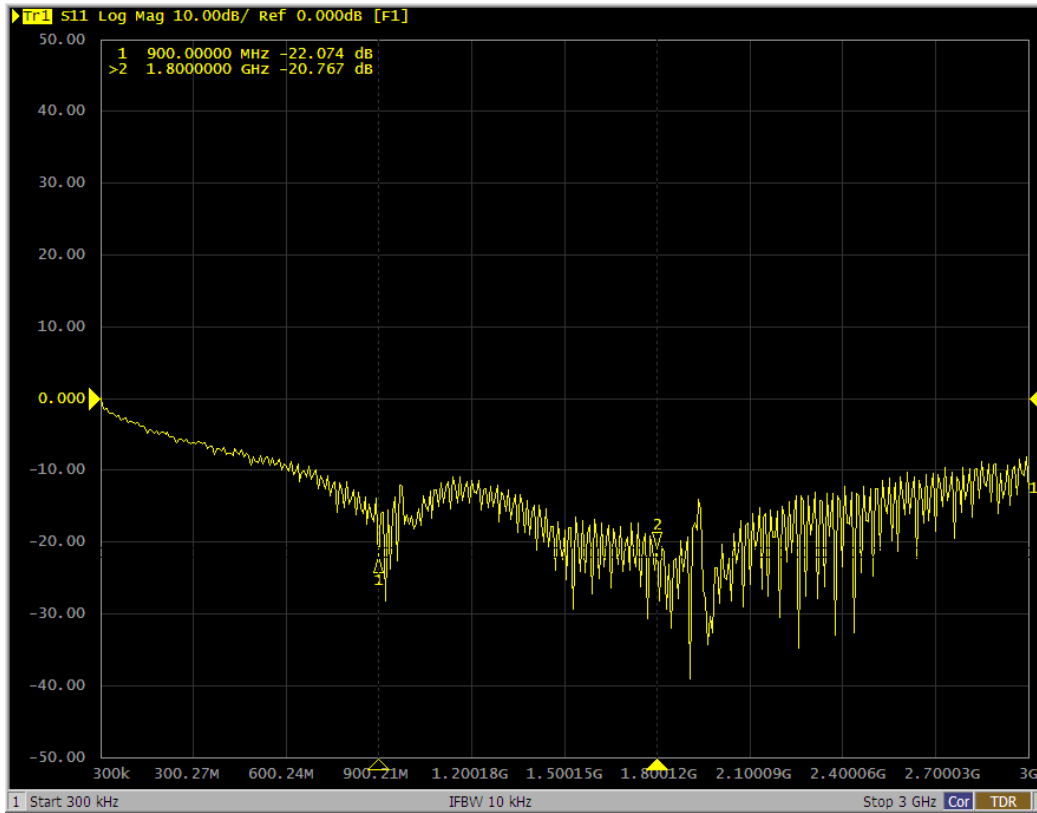
- Omnidirectional – suitable for moving devices
- Anti-vandal design
- Low VSWR

| | |
|-----------------------|------------------------|
| Technology | GSM |
| Frequency bands | 900/1800/1900/2100 MHz |
| Bandwidth | - |
| Gain | 0 dBi |
| VSWR | <1.7: 1 |
| Impedance | 50 Ohm |
| Directivity | Omnidirectional |
| Beam angle | H 360° V 30° |
| Polarization | Linear |
| Maximum input power | 10 W |
| Power voltage | - |
| Dimensions | 53 x 49 x 38 mm |
| Weight | 111.74 g |
| Operating temperature | -30 to +90 ° C |
| Execution | External |
| Method of attachment | Screw Mount |
| Cable type | RG174/U |
| The cable length | 5 m |
| Connector type | SMA(m) |

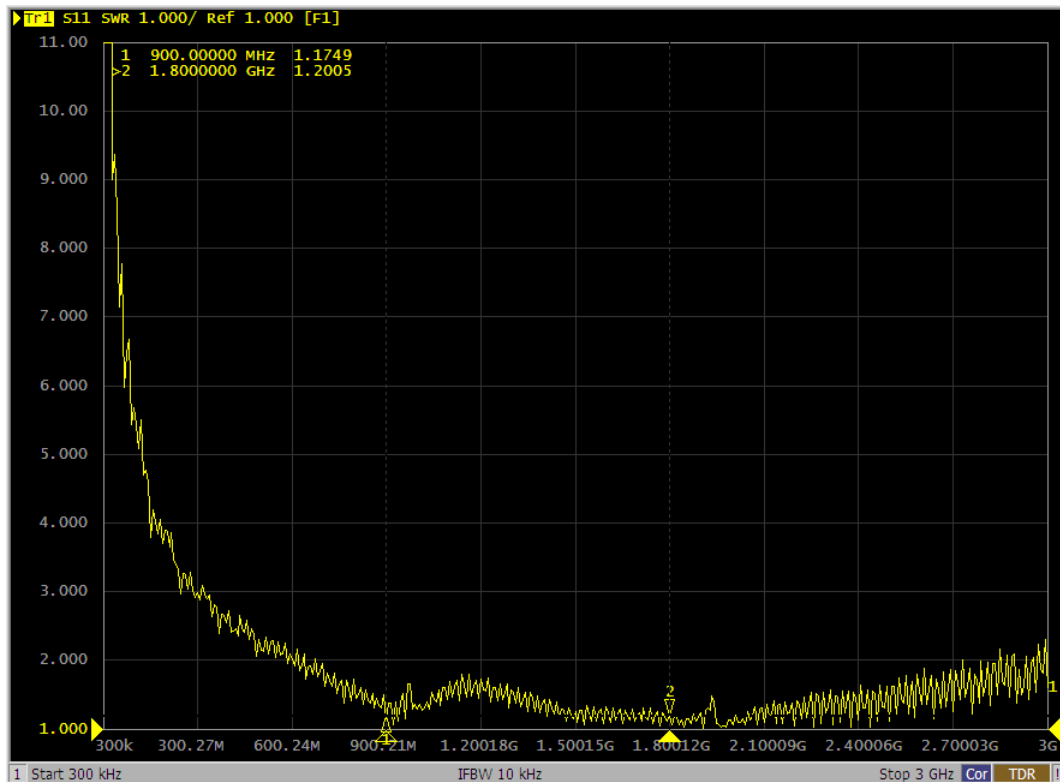
DRAWING



S₁₁ [dB] – Return loss



VSWR [-] - Voltage standing wave ratio



ALL VARIANTS

Different connector variants or cable lengths are available on request.

CONTACTS

SECTRON s.r.o. Josefa Šavla 1271/12
709 00 Ostrava 9, Czech Republic

WWW.SECTRON.CZ
Tel.: +420 556 621 020