



# GSM ANTENNA

Antenna GSM Screw Mount R32,  
Quad-band, SMA-RP, RG174U/5m

AO-AGSM-CAPSRPS

SECTRON company offers a wide portfolio of GSM antennas with various versions differing in shape, level of gain and manner of attachment. SECTRON guarantees a compatible connection between an antenna and all antenna adaptors produced by SECTRON.



## BENEFITS

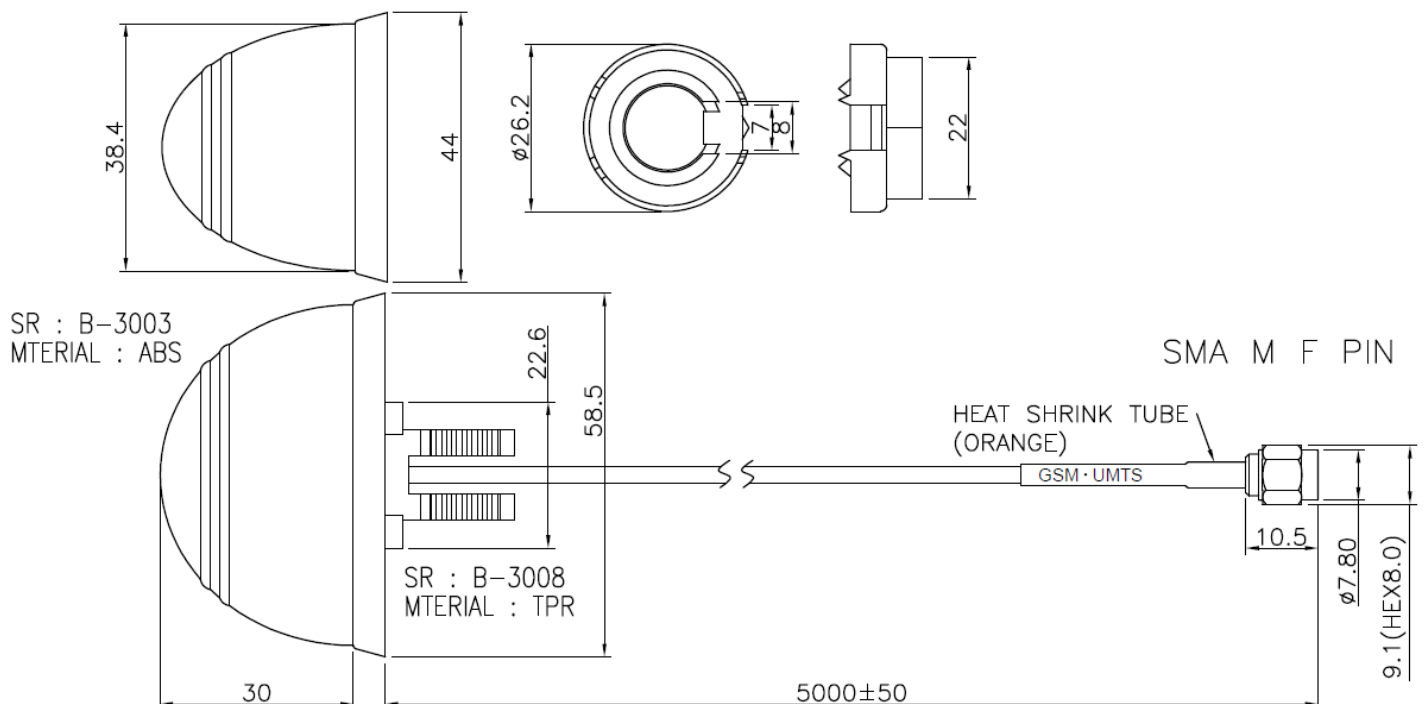
- Low VSWR
- Anti-vandal design
- Optimized radiation pattern

## FEATURES

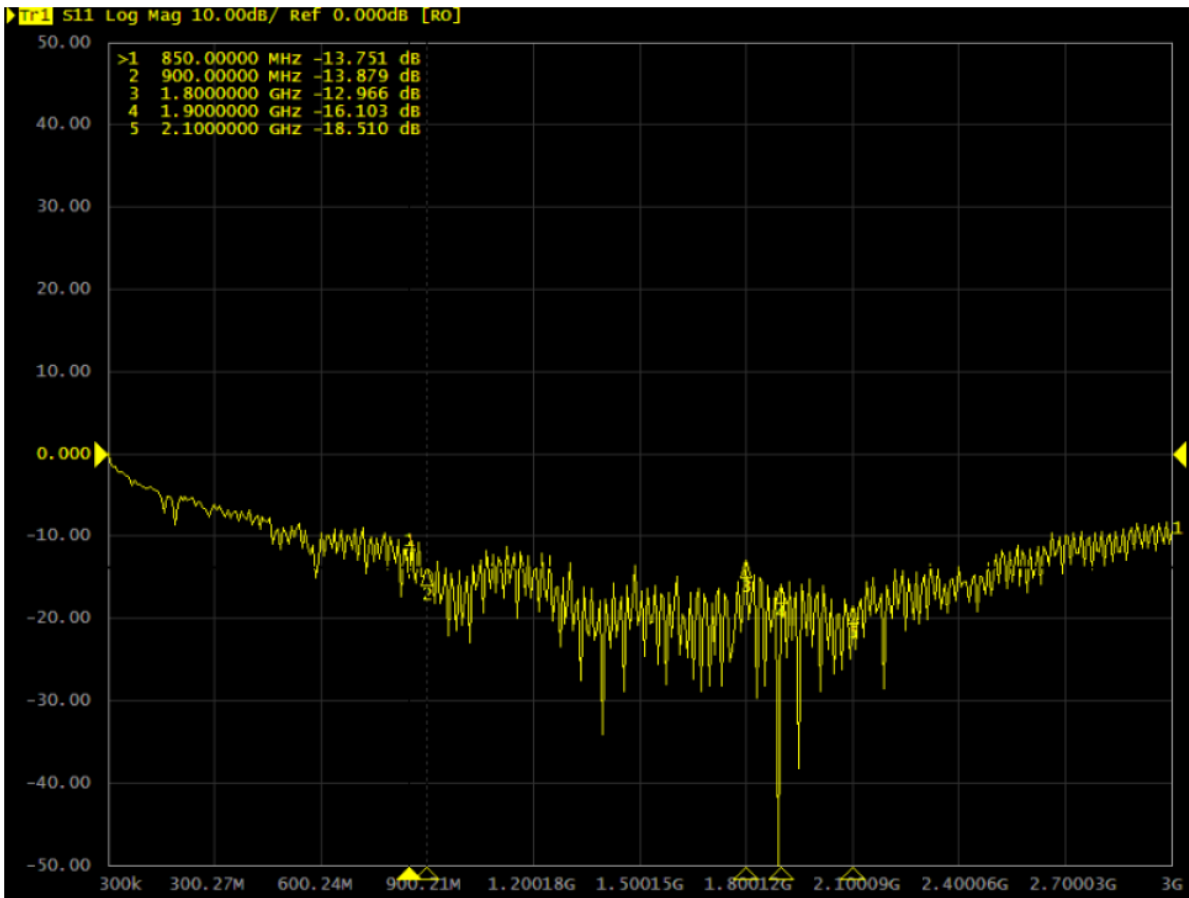
## AO-AGSM-CAPSRPS

Technology	GSM
Frequency bands	900/1800/2100 MHz
Bandwidth	-
Gain	0 dBi
VSWR	<1.6:1
Impedance	50 Ohm
Directivity	Omnidirectional
Beam angle	Attached graphs bellow
Polarization	Linear
Maximum input power	10 W
Power voltage	2.2-5 VDC
Dimensions	∅ 58.5 x 30.0 mm
Weight	111.74 g
Operating temperature	-40 to +85 °C
Execution	External
Method of attachment	Screw Mount
Cable type	RG174/U
The cable length	5 m
Connector type	SMA-RP
Certification	RoHS, ISO 9001, ISO 14001
IP code	-
Material	ABS

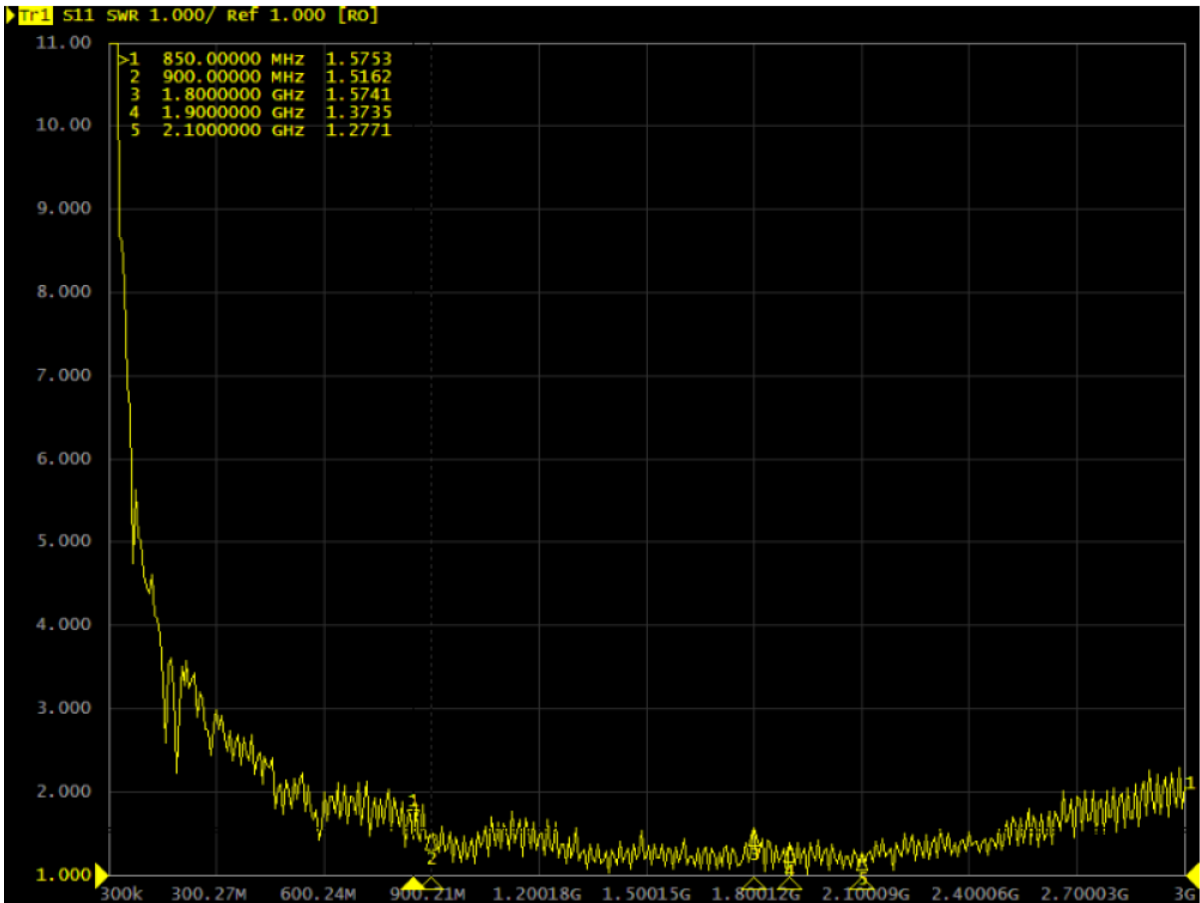
## DRAWING



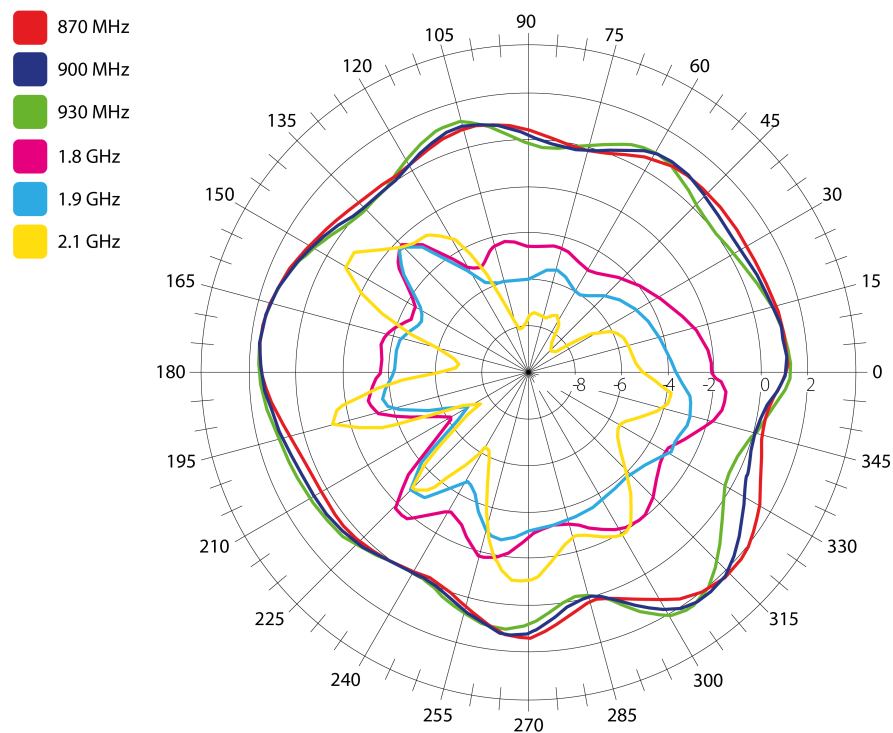
$S_{11}$  - Return Loss [dB]



VSWR – Voltage standing wave ratio [-]



## RADIATION PATTERN - 2D



## SUMMARY

Frequency [MHz]	Gain [dBi]	VSWR [-]	$S_{11}$ [dB]
850	-0.76	1.57:1	-13.75
900	1.3	1.51:1	-13.87
1800	0.55	1.57:1	-12.96
1900	-0.85	1.37:1	-16.10
2100	-3.79	1.27:1	-18.51

## VARIANTS

Different connector variants or cable lengths are available on request.

## CONTACTS

SECTRON s.r.o. Josefa Šavla 1271/12  
709 00 Ostrava 9, Czech Republic

WWW.SECTRON.CZ  
Tel.: +420 556 621 020