



## GSM ANTENNA

Antenna GSM Mounting R32,  
SMA(m), RG174U/2.5m

AO-AGSM-CAPS25

SECTRON company offers a wide portfolio of GSM antennas with various versions differing in shape, level of gain and manner of attachment. SECTRON guarantees a compatible connection between an antenna and all antenna adaptors produced by SECTRON.

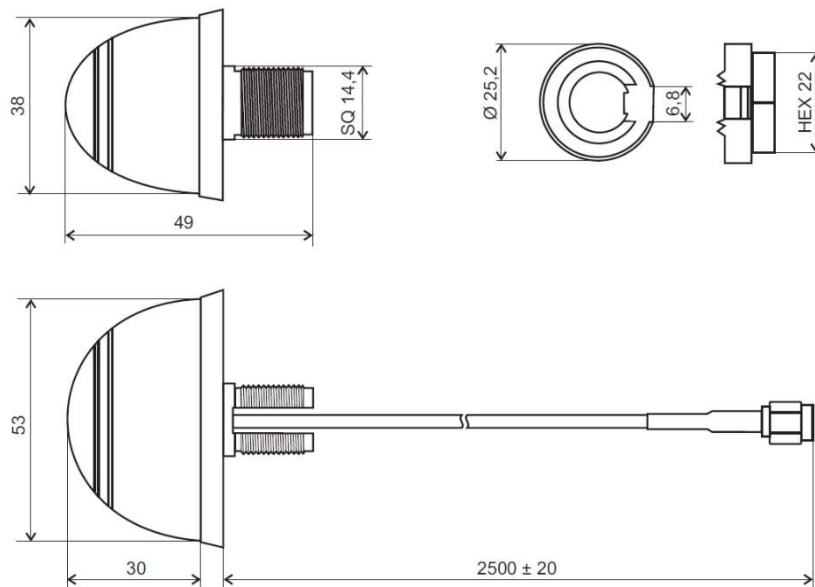


### BENEFITS

- Omnidirectional – suitable for moving devices
- Anti-vandal design

Technology	GSM
Frequency bands	900/1800/1900/2100 MHz
Bandwidth	-
Gain	0 dBi
VSWR	<2.5: 1
Impedance	50 Ohm
Directivity	Omnidirectional
Beam angle	H 360° V 30°
Polarization	Linear
Maximum input power	10 W
Power voltage	-
Dimensions	53 x 38 x 30 mm
Weight	87.5 g
Operating temperature	-30 to +90 ° C
Execution	External
Method of attachment	Mounting
Cable type	RG174/U
The cable length	2.5 m
Connector type	SMA(m)

DRAWING



Different connector variants or cable lengths are available on request.