



# GSM ANTENNA

Antenna GSM Screw Mount R32,  
SMA(m), RG174U/30cm

AO-AGSM-CAPS025

SECTRON company offers a wide portfolio of 868 antennas with various versions differing in shape, level of gain and manner of attachment. SECTRON guarantees a compatible connection between an antenna and all antenna adaptors produced by SECTRON.



## BENEFITS

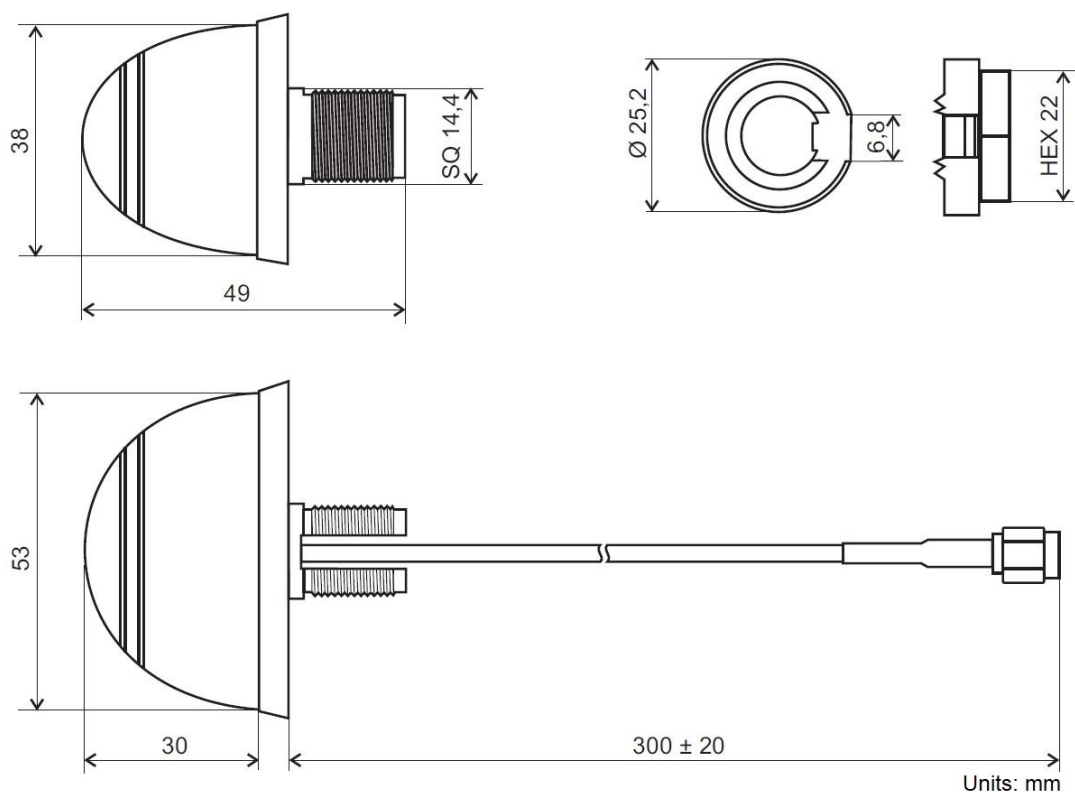
- Omnidirectional
- Easy installation

## FEATURES

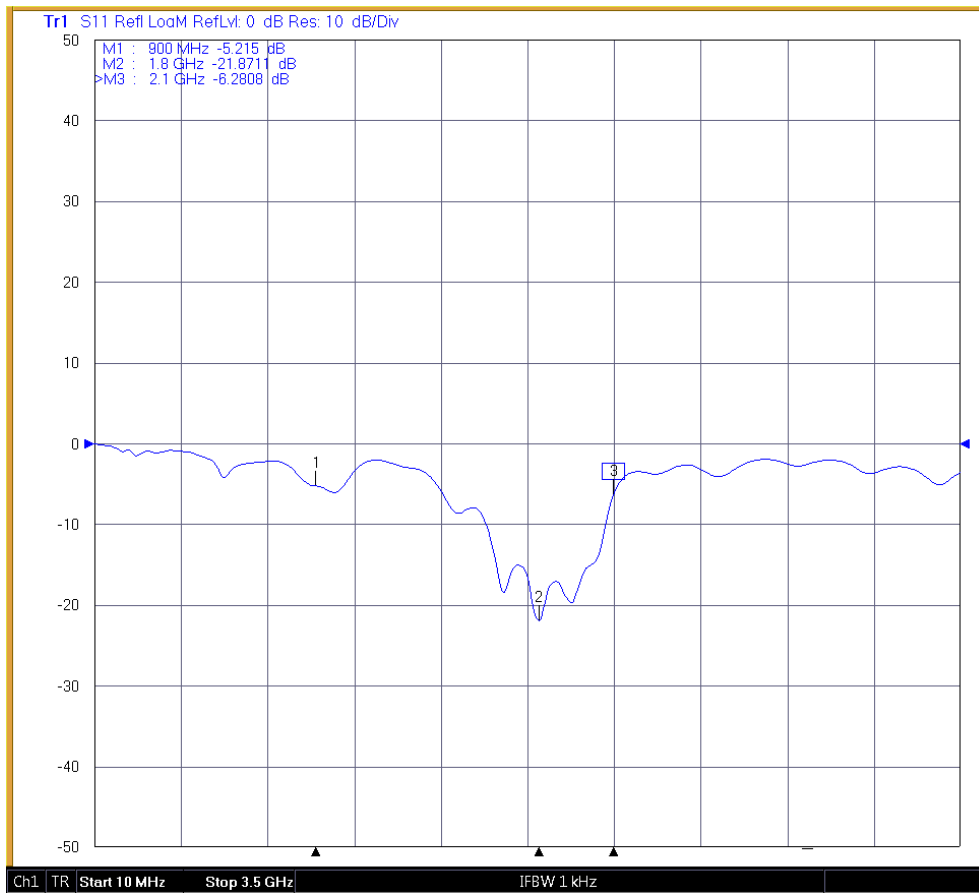
AO-AGSM-CAPS025

Technology	GSM
Frequency bands	900/1800/2100 MHz
Bandwidth	-
Gain	2.5 dBi
VSWR	<2.5:1
Impedance	50 Ohm
Directivity	Omnidirectional
Beam angle	Via attached graphs
Polarization	Linear
Maximum input power	10 W
Power voltage	-
Dimensions	53 x 49 x 38 mm
Weight	67.67 g
Operating temperature	-30 to +90 °C
Execution	External
Method of attachment	Screw Mount
Cable type	RG174/U
The cable length	300 mm
Connector type	SMA(m)
Certification	RoHS

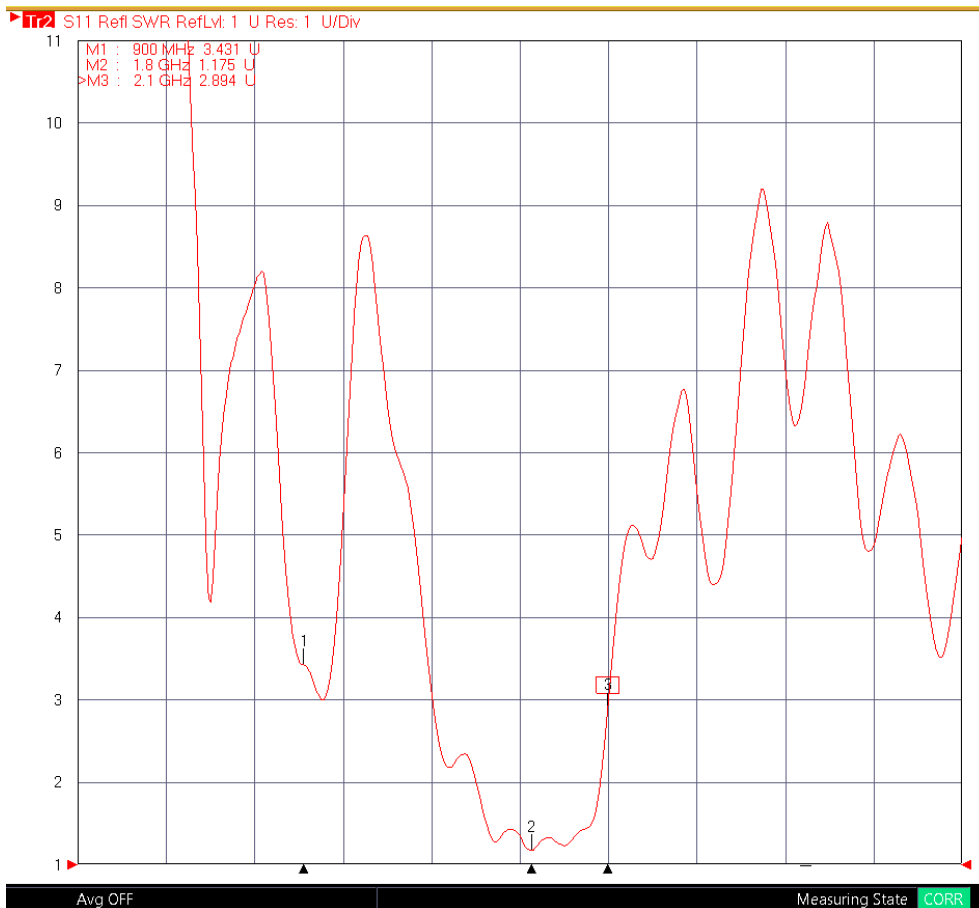
## DRAWING



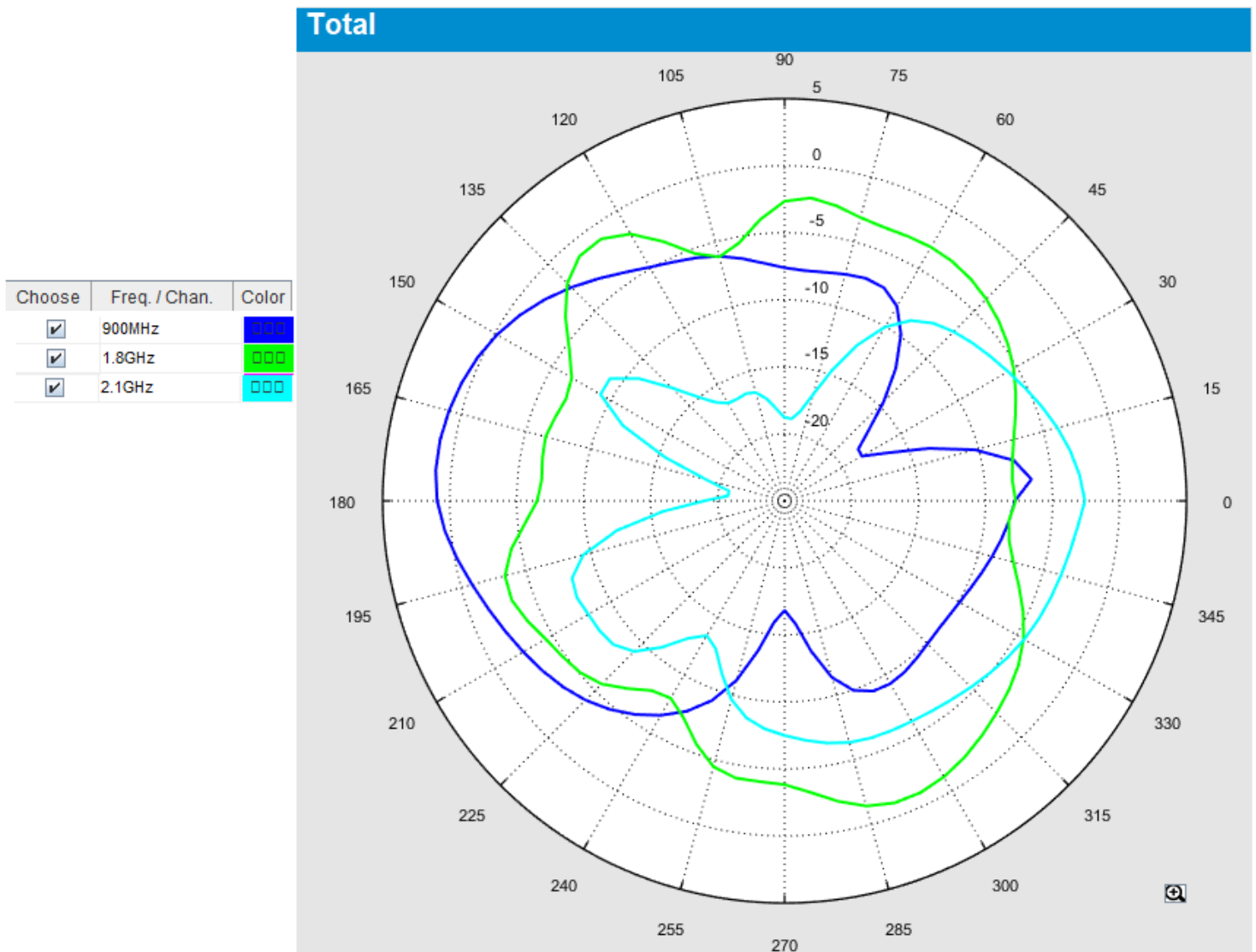
$S_{11}$  - Return Loss [dB]



VSWR – Voltage standing wave ratio [-]



## 2D - RADIATION PATTERN plane



## SUMMARY

Frequency [MHz]	$S_{11}$ [dB]	VSWR [-]	Efficiency [%]	Gain [dBi]
900	-5.21	3.43	31.84	2.55
1800	-21.87	1.17	48.19	2.44
2100	-6.28	2.89	14.55	-2.58

Different connector variants or cable lengths are available on request.

## CONTACTS

SECTRON s.r.o. Josefa Šavla 1271/12  
709 00 Ostrava 9, Czech Republic

WWW.SECTRON.CZ  
Tel.: +420 556 621 020