



GSM ANTENNA

Antenna GSM Mounting R32,
SMA(m), RG174U/30 cm

AO-AGSM-CAPS025

SECTRON company offers a wide portfolio of GSM antennas with various versions differing in shape, level of gain and manner of attachment. SECTRON guarantees a compatible connection between an antenna and all antenna adaptors produced by SECTRON.

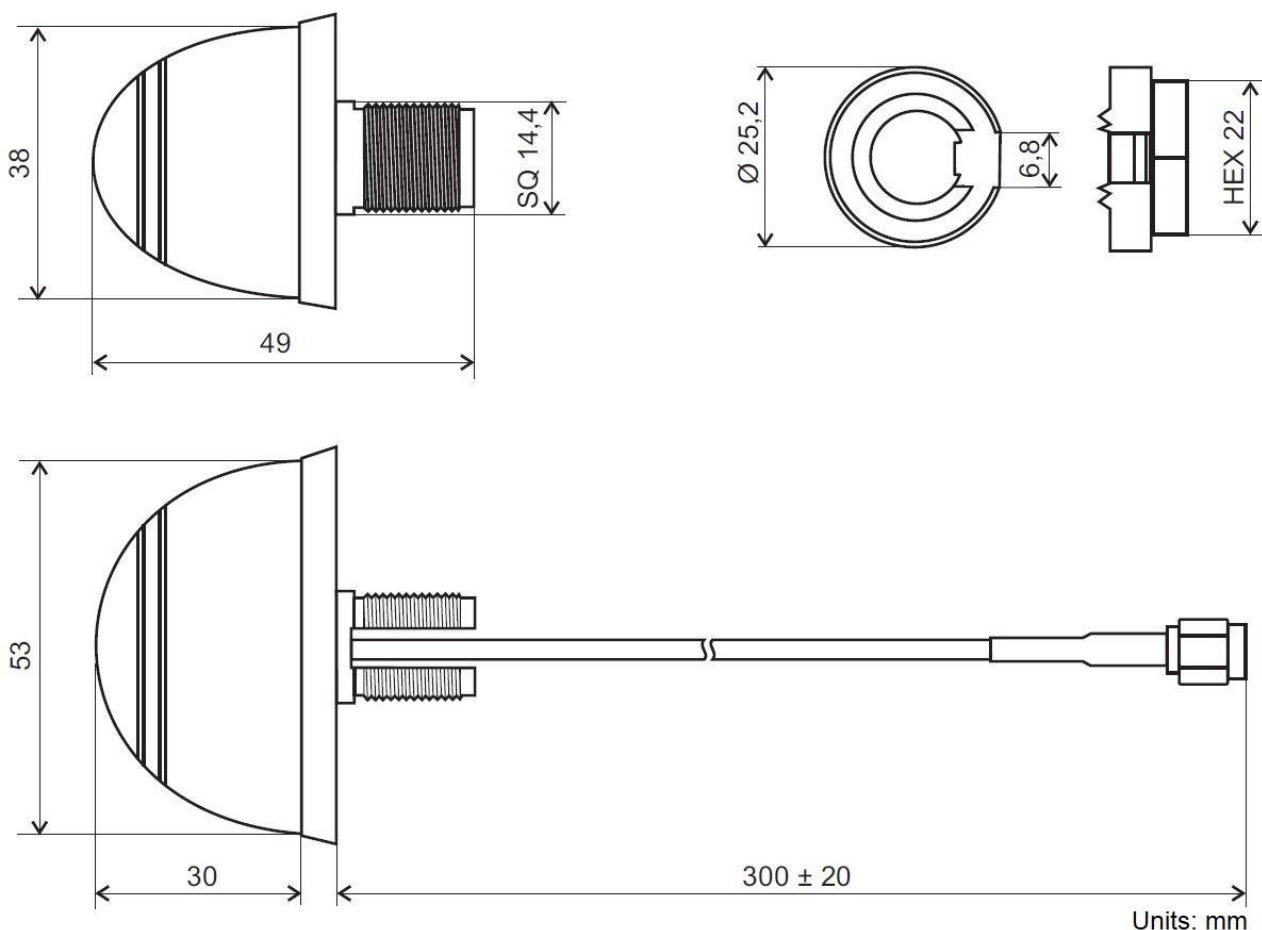


BENEFITS

- Omnidirectional – suitable for moving devices
- Anti-vandal design

Technology	GSM
Frequency bands	900/1800/1900/2100 MHz
Bandwidth	-
Gain	0 dBi
VSWR	<2.5:1
Impedance	50 Ohm
Directivity	Omnidirectional
Beam angle	H 360° V 30°
Polarization	Linear
Maximum input power	10 W
Power voltage	-
Dimensions	53 x 38 x 30 mm
Weight	66.44 g
Operating temperature	-30 to +90 °C
Execution	External
Method of attachment	Mounting
Cable type	RG174/U
The cable length	30 cm
Connector type	SMA(m)

DRAWING



Different connector variants or cable lengths are available on request.

CONTACTS

SECTRON s.r.o. Josefa Šavla 1271/12
709 00 Ostrava 9, Czech Republic

WWW.SECTRON.CZ
Tel.: +420 556 621 021