



GSM/GPS ANTENNA

Anténa GSM/GPS Mounting TRUCK,
FME(f)/SMA(m), 2 x RG174/5m

AO-AGSM-AGPS

SECTRON company offers a wide portfolio of GSM/GPS antennas with various versions differing in shape, level of gain and manner of attachment. SECTRON guarantees a compatible connection between an antenna and all antenna adaptors produced by SECTRON.



BENEFITS

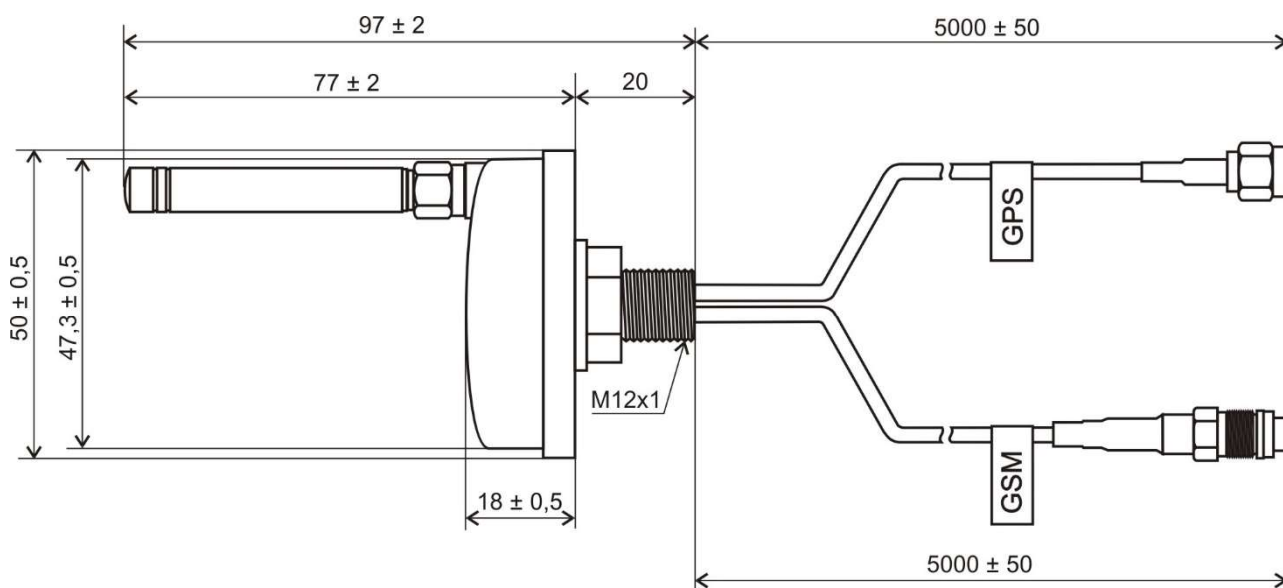
- Low VSWR
- Environmental resistance

FEATURES

AO-AGSM-AGPS

Technology	GSM/GPS
Frequency bands	900/1800 / 1575.42 MHz
Bandwidth	- / 10 MHz
Gain	2 / 27 dBi
VSWR	<1.5:1
Impedance	50 Ohm
Directivity	Omnidirectional
Beam angle	H 360° V 30°
Polarization	Linear
Maximum input power	10 W
Power voltage	+2.7 to +5.5 V DC
Dimensions	∅ 50 x 97 mm
Weight	140.86 g
Operating temperature	-30 to +90 °C
Execution	External
Method of attachment	Mounting
Cable type	2 x RG174/U
The cable length	2 x 5m
Connector type	SMA(m) / FME(f)

DRAWING



UNIT: mm

Different connector variants or cable lengths are available on request.