



## GSM ANTENNA

### Antenna GSM Screw Mount

R31 SHARK, FME(f), RG174/2.5 m

AO-AGSM-31F2

SECTRON company offers a wide portfolio of GSM antennas with various versions differing in shape, level of gain and manner of attachment. SECTRON guarantees a compatible connection between an antenna and all antenna adaptors produced by SECTRON.

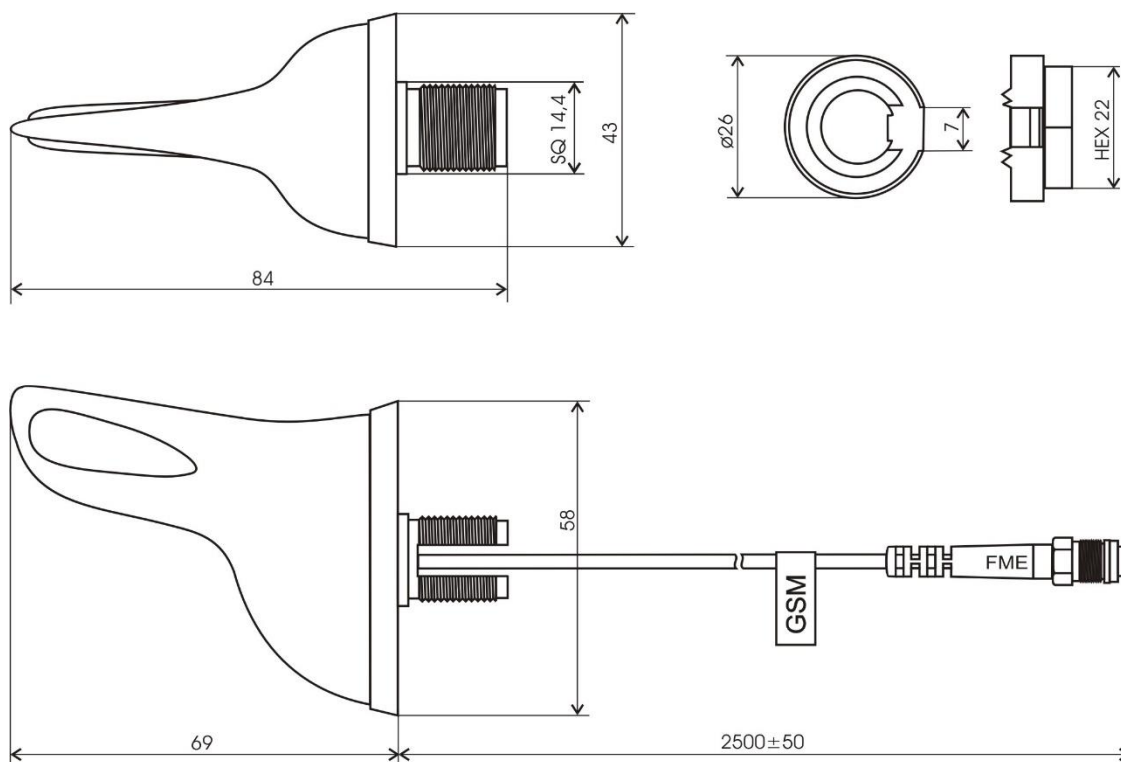


#### BENEFITS

- Low VSWR
- Omnidirectional - suitable for moving vehicles
- Environmental resistance

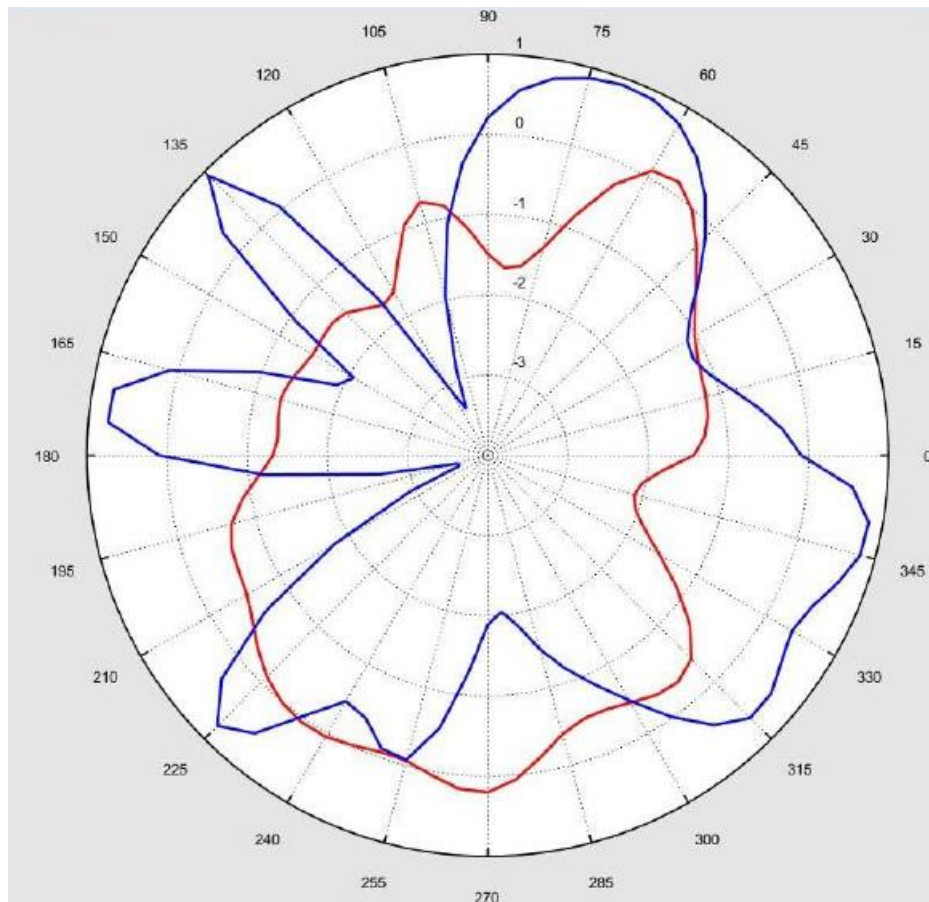
Technology	GSM
Frequency bands	900/1800 MHz
Bandwidth	-
Gain	0.5/3.2 dBi
VSWR	<1.5:1
Impedance	50 Ohm
Directivity	Omnidirectional
Beam angle	H 50° V 30°
Polarization	Linear
Maximum input power	10 W
Power voltage	-
Dimensions	69 x 58 x 43 mm
Weight	96.56 g
Operating temperature	-30 to +90 °C
Execution	External
Method of attachment	Screw Mount
Cable type	RG174/U
The cable length	2.5 m
Connector type	FME(f)

DRAWING



UNIT: mm

Frequency (MHz)	Return Loss (dB)	VSWR	Efficiency (%)	Gain (dBi)
900	-14.1	1.49	62.23	0.5
1800	-16	1.39	73.62	3.2



## VARIANTS

Different connector variants or cable lengths are available on request.

## CONTACTS

SECTRON s.r.o. Josefa Šavla 1271/12  
709 00 Ostrava 9, Czech Republic

WWW.SECTRON.CZ  
Tel.: +420 556 621 020