



GSM ANTENNA

Internal GSM/UMTS antenna SMD triband,
ceramic PIFA, cable

AO-AG-PA24

SECTRON company offers a wide portfolio of GSM/UMTS antennas with various versions differing in shape, level of gain and manner of attachment. SECTRON guarantees a compatible connection between an antenna and all antenna adaptors produced by SECTRON.



BENEFITS

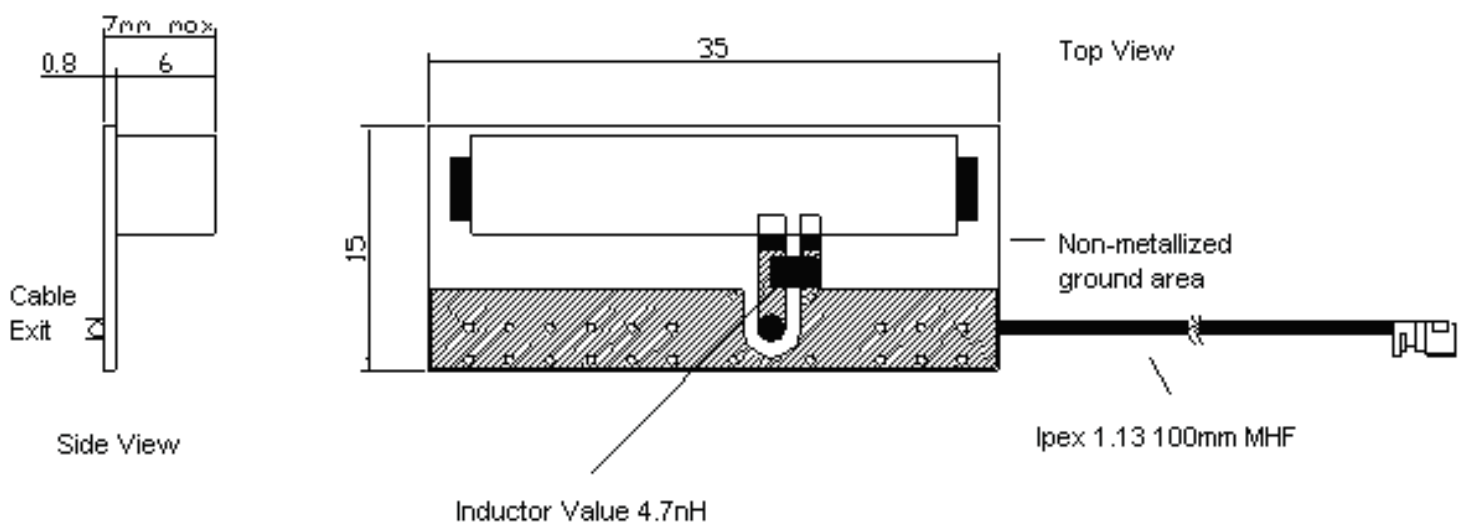
- Minimalist dimensions
- Easy installation
- Compact design

FEATURES

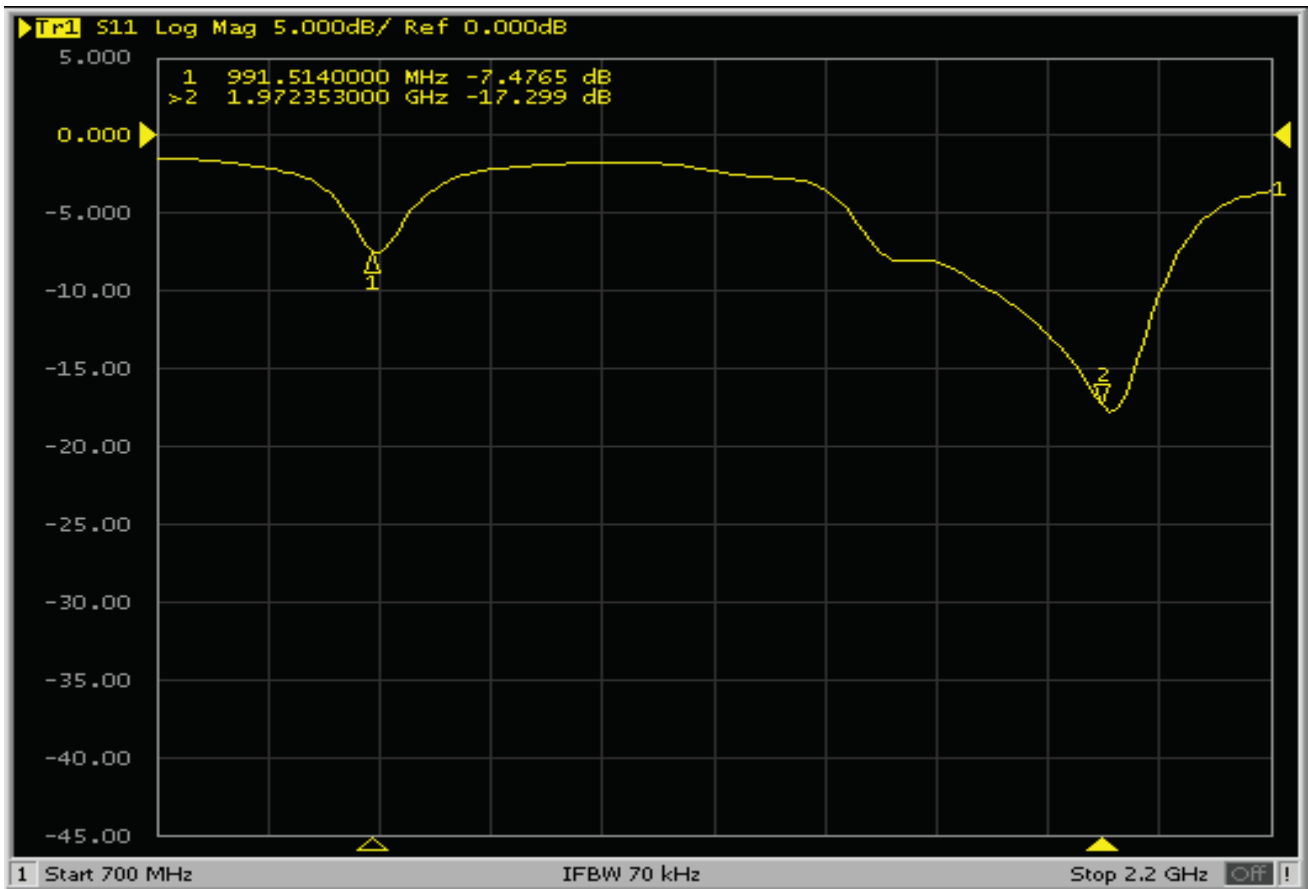
AO-AG-PA24

Technology	GSM/UMTS
Frequency bands	900/1800/1900 MHz
Bandwidth	-
Gain	0 dBi
VSWR	<2.4:1
Impedance	50 Ohm
Directivity	Omnidirectional
Beam angle	-
Polarization	Linear
Maximum input power	10 W
Power voltage	-
Dimensions	35 x 15 x 7 mm
Weight	3.48 g
Operating temperature	-40 to +85 °C
Execution	Internal
Method of attachment	SMD
Cable type	IPEX 1.13 mm
The cable length	100 mm
Connector type	U.FL

DRAWING



S11 graph



VARIANTS

Different connector variants or cable lengths are available on request.

CONTACTS

SECTRON s.r.o. Josefa Šavla 1271/12
709 00 Ostrava 9, Czech Republic

WWW.SECTRON.CZ
Tel.: +420 556 621 020