



## CDMA ANTENNA

Antenna SET CDMA 450 MHz, Stick,  
Magnetic Base, Cable FME-SMA,  
RG174, 3m

AO-ACDMA-MG45

SECTRON company introducing an antenna suitable for the power industry. We offers a wide portfolio of CDMA antennas with various versions differing in shape, level of gain and manner of attachment. SECTRON guarantees a compatible connection between an antenna and all antenna adaptors produced by SECTRON.

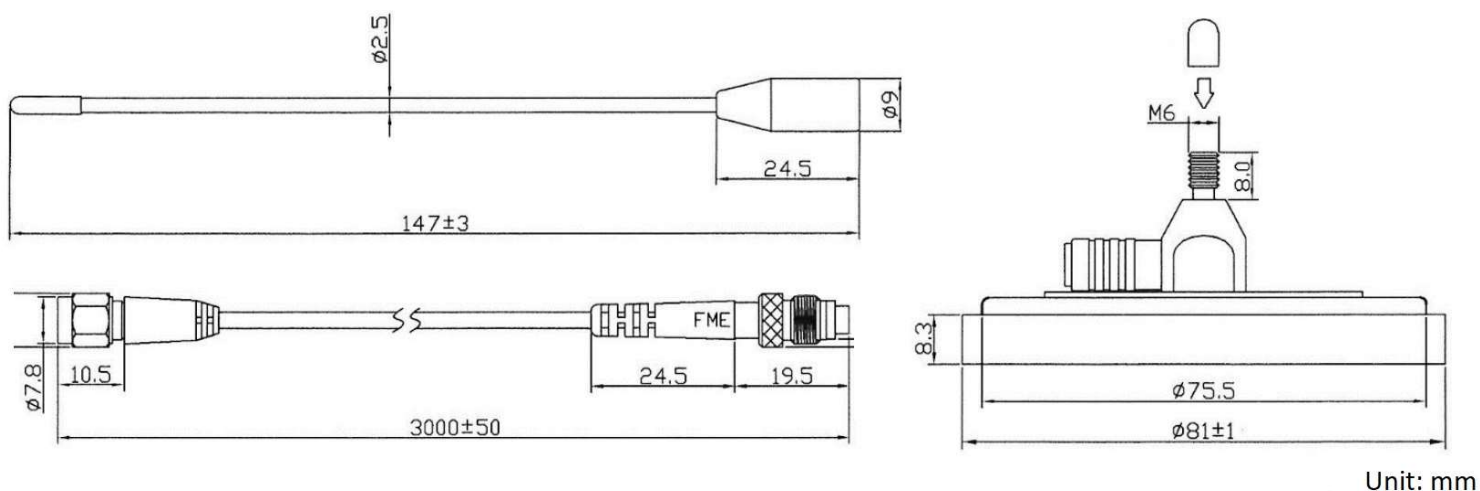
### BENEFITS

- Verified by the Austrian market
- Three-piece design for easy installation
- Adapted on 450 MHz frequency
- Low VSWR



Technology	CDMA
Frequency bands	450 MHz
Bandwidth	-
Gain	1.28 dBi
VSWR	< 1.6:1
Impedance	50 Ohm
Directivity	Omnidirectional
Beam angle	H 360° V 30°
Polarization	Linear
Maximum input power	10W
Power voltage	-
Dimensions	147 x Ø 81 mm
Weight	223.1 g
Operating temperature	-40 to +85 °C
Execution	External
Method of attachment	Magnetic
Cable type	RG174/U
The cable length	3 m
Connector type	SMA(m)

DRAWING



ALL VARIANTS

AO-ACDMA-MG45

Different connector variants or cable lengths are available on request.

CONTACTS

SECTRON s.r.o. Josefa Šavla 1271/12  
709 00 Ostrava 9, Czech Republic

WWW.SECTRON.CZ  
Tel.: +420 556 621 021