



CDMA ANTENNA

Antenna CDMA Wall Mount MA80, 450 MHz, FME(f), RG58/3m

AO-ACDMA-MA80

SECTRON company offers a wide portfolio of CDMA antennas with various versions differing in shape, level of gain and manner of attachment. SECTRON guarantees a compatible connection between an antenna and all antenna adaptors produced by SECTRON.

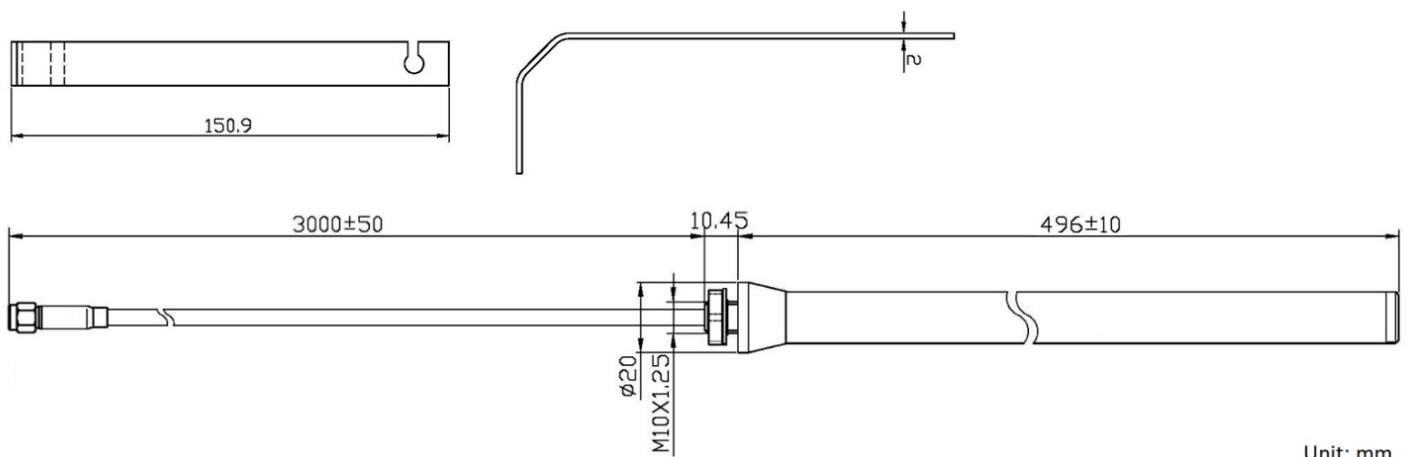


BENEFITS

- Easy installation
- Low VSWR
- High gain

Technology	CDMA
Frequency bands	450 MHz
Bandwidth	-
Gain	7 dBi
VSWR	<1.05:1
Impedance	50 Ohm
Directivity	Omnidirectional
Beam angle	H 360° V 30°
Polarization	Linear
Maximum input power	10 W
Power voltage	-
Dimensions	496 x \varnothing 20 mm
Weight	395 g
Operating temperature	-20 to +60 °C
Execution	External
Method of attachment	Wall Mount
Cable type	RG58/U
The cable length	3 m
Connector type	FME(f)
IP Code	IP67
Certification	-

DRAWING

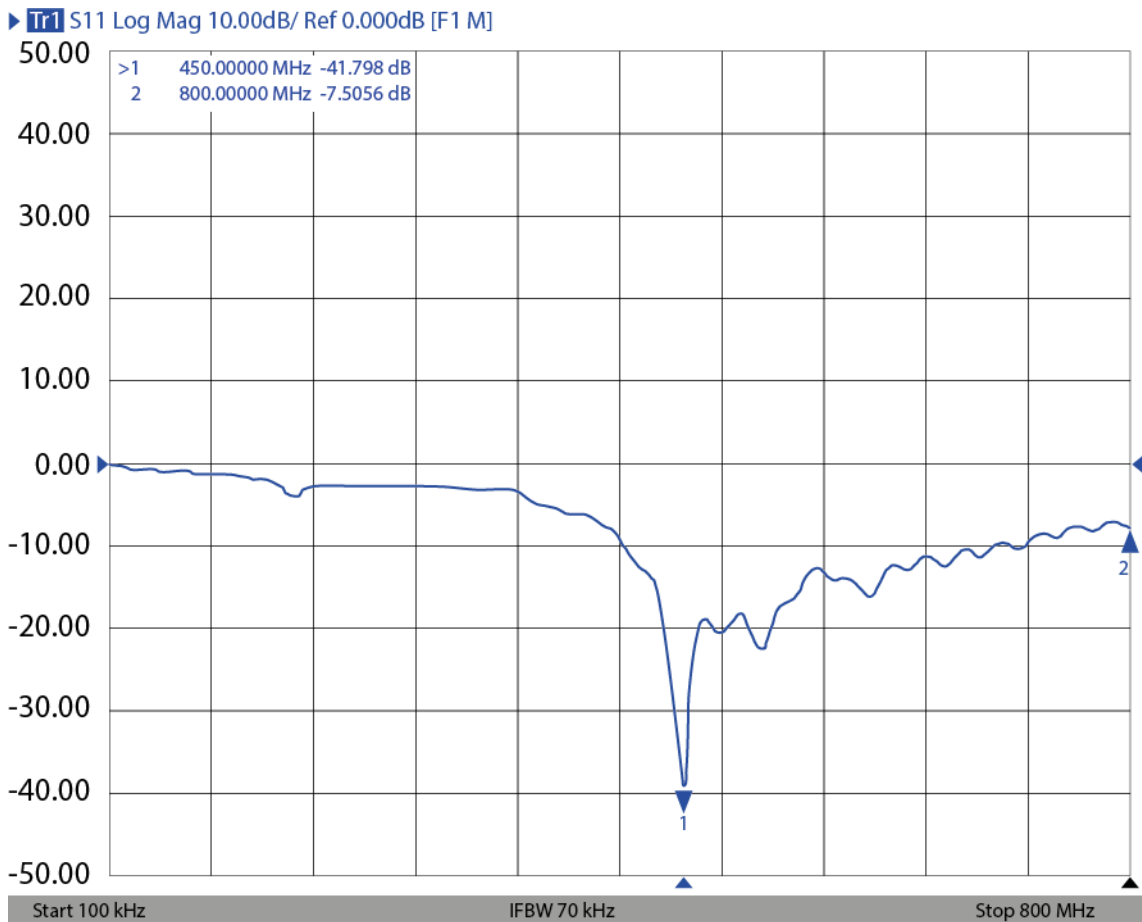


Unit: mm

GRAPH -VSWR



GRAPH-S11



Different connector variants or cable lengths are available on request.

CONTACTS

SECTRON s.r.o. Josefa Šavla 1271/12
709 00 Ostrava 9, Czech Republic

WWW.SECTRON.CZ
Tel.: +420 556 621 020