



ISM ANTENNA

Antenna 868 MHz Flexible Whip
PIGTail, IPEX MHF1(f) RA,
1.13mm Coaxial Cable/30mm

AO-A868-PTI03

SECTRON company offers a wide portfolio of ISM antennas with various versions differing in shape, level of gain and manner of attachment. SECTRON guarantees a compatible connection between an antenna and all antenna adaptors produced by SECTRON.

BENEFITS

- Low VSWR
- Omnidirectional

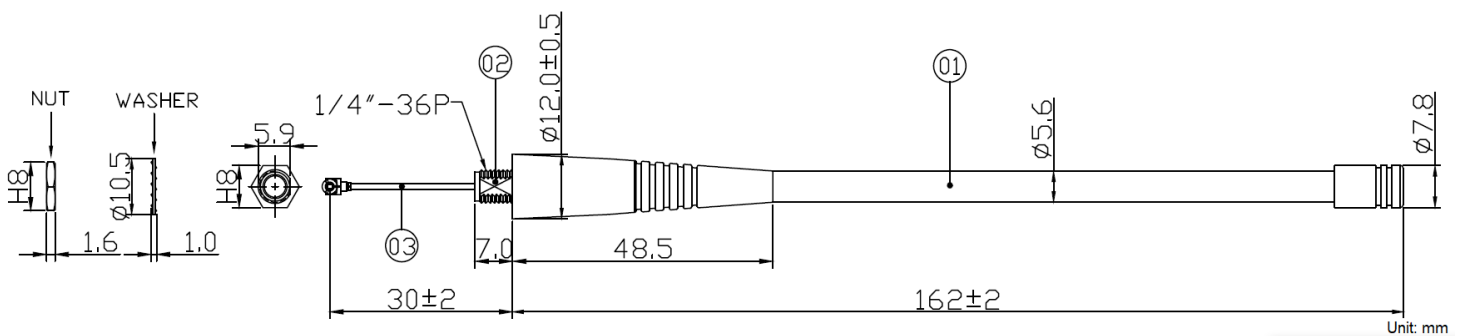


FEATURES

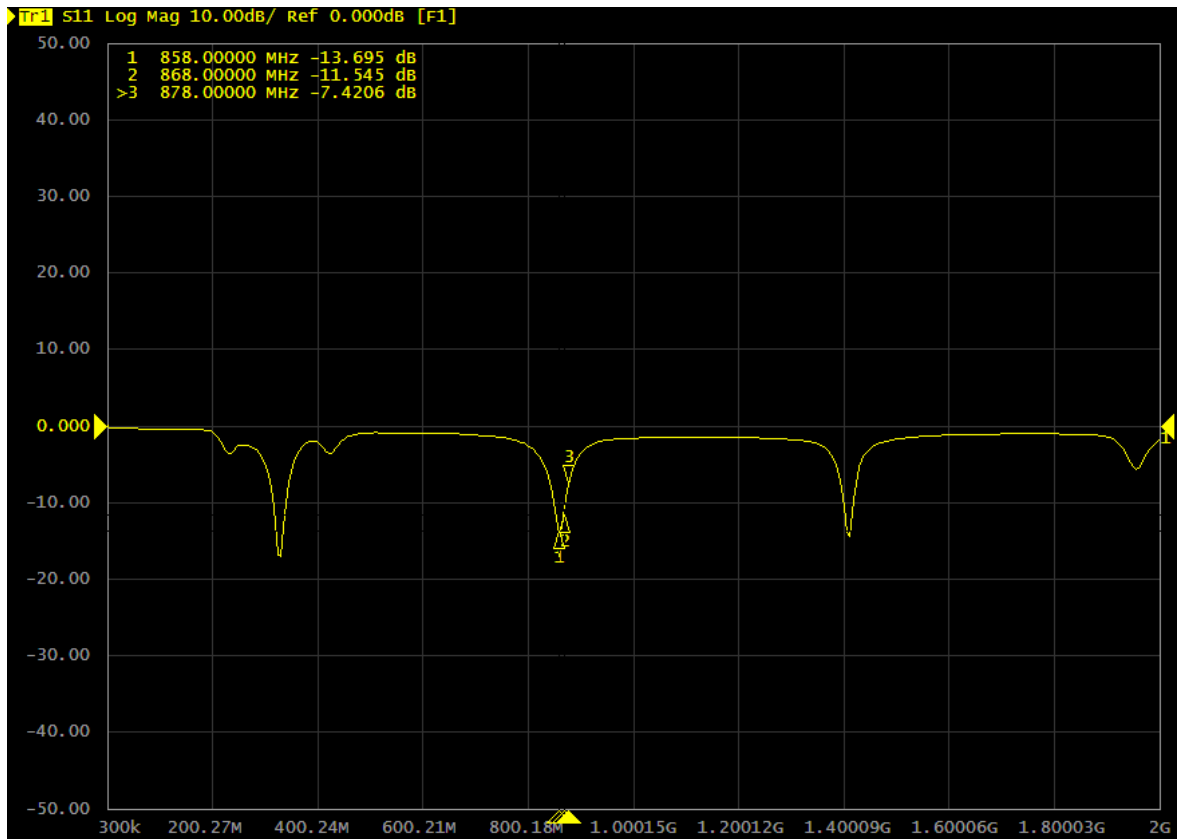
AO-A868-PTI03

Technology	ISM
Frequency bands	858/868/878 MHz
Bandwidth	-
Gain	- dBi
VSWR	<2.4:1
Impedance	50 Ohm
Directivity	Omnidirectional
Beam angle	H 360° V 30°
Polarization	Linear
Maximum input power	10 W
Power voltage	-
Dimensions	∅ 12 x 169 mm
Weight	10.86 g
Operating temperature	-30 to +60 °C
Execution	External
Method of attachment	Screw Mount
Cable type	1.13mm
The cable length	30 mm
Connector type	IPEX MHF1 (f) RA
Certification	RoHS

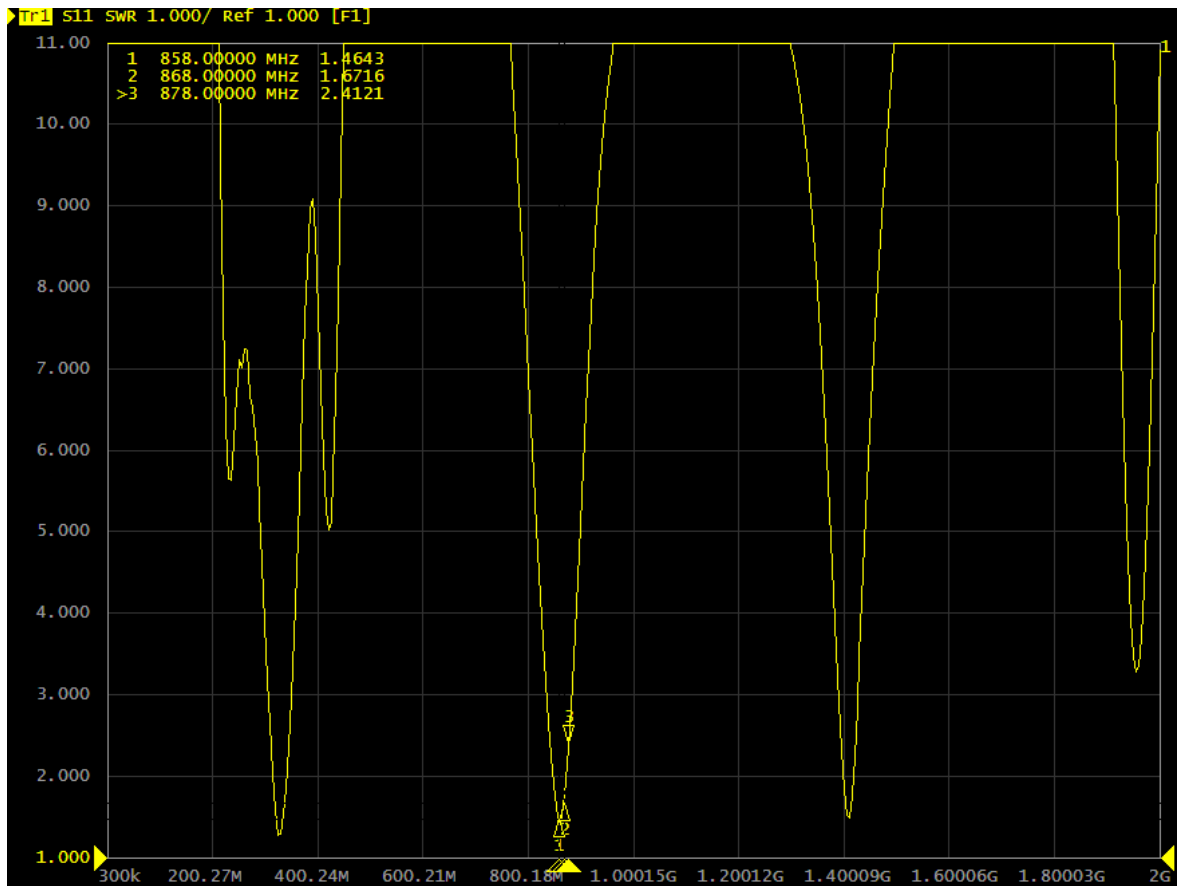
DRAWING



S_{11} - Return Loss [dB]



VSWR – Voltage standing wave ratio [-]



Frequency [MHz]	S_{11} [dB]	VSWR [-]
858	-13.69	1.46
868	-11.54	1.67
878	-7.42	2.41

Different connector variants or cable lengths are available on request.

SECTRON s.r.o. Josefa Šavla 1271/12
709 00 Ostrava 9, Czech Republic

WWW.SECTRON.CZ
Tel.: +420 556 621 020