



ISM ANTENNA

Antenna 868 MHz Magnetic Mount, 3 dBi, SMA(m) RA, RG174U, 4 m

AO-A868-MG3SRA3

SECTRON company offers a wide portfolio of ISM antennas with various versions differing in shape, level of gain and manner of attachment. SECTRON guarantees a compatible connection between an antenna and all antenna adaptors produced by SECTRON.

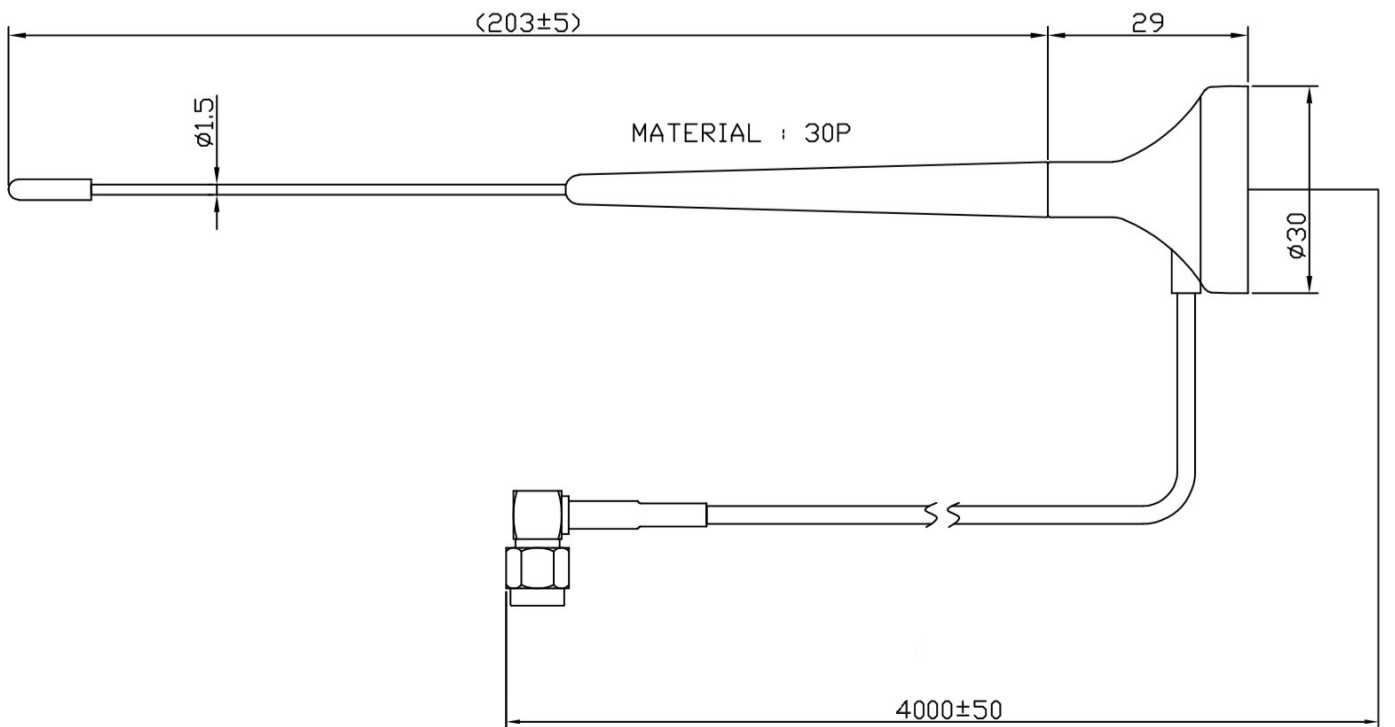


BENEFITS

- asy installation
- Magnetic mount
- High gain
- RoHS compliant

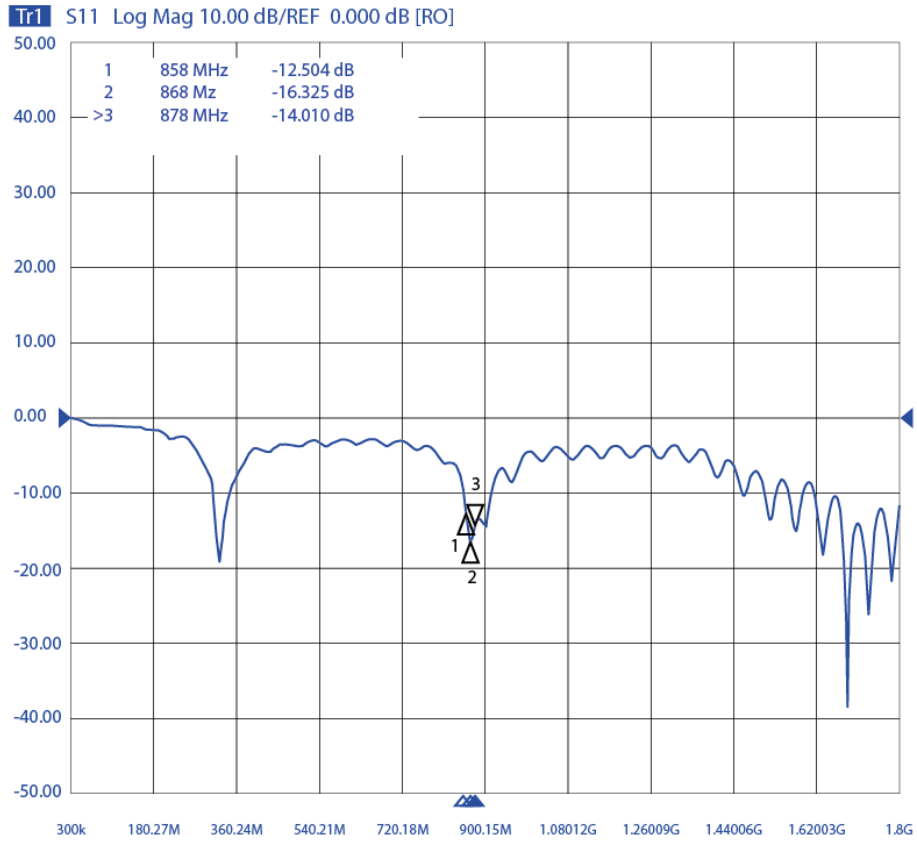
Technology	ISM
Frequency bands	868 MHz
Bandwidth	≤ 20 MHz
Gain	3 dBi
VSWR	2.0:1
Impedance	50 Ohm
Directivity	Omnidirectional
Beam angle	Attached graphs below
Polarization	Vertical
Maximum input power	-
Power voltage	-
Dimensions	∅ 30 x 230 mm
Weight	-
Operating Temperature	-30 to +90 °C
Execution	External
Method of attachment	Magnetic
Cable type	RG174/U
The cable length	4 m
Connector type	SMA(m) RA
Certification	RoHS, ISO 9001/14001

DRAWING

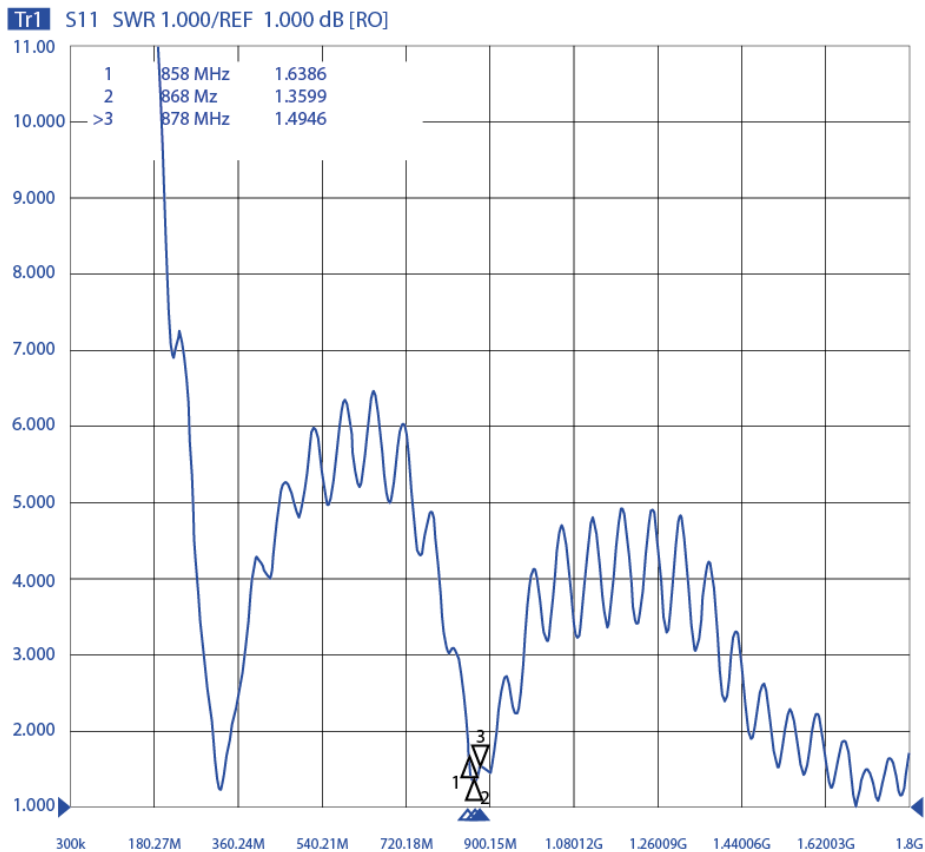


Unit: mm

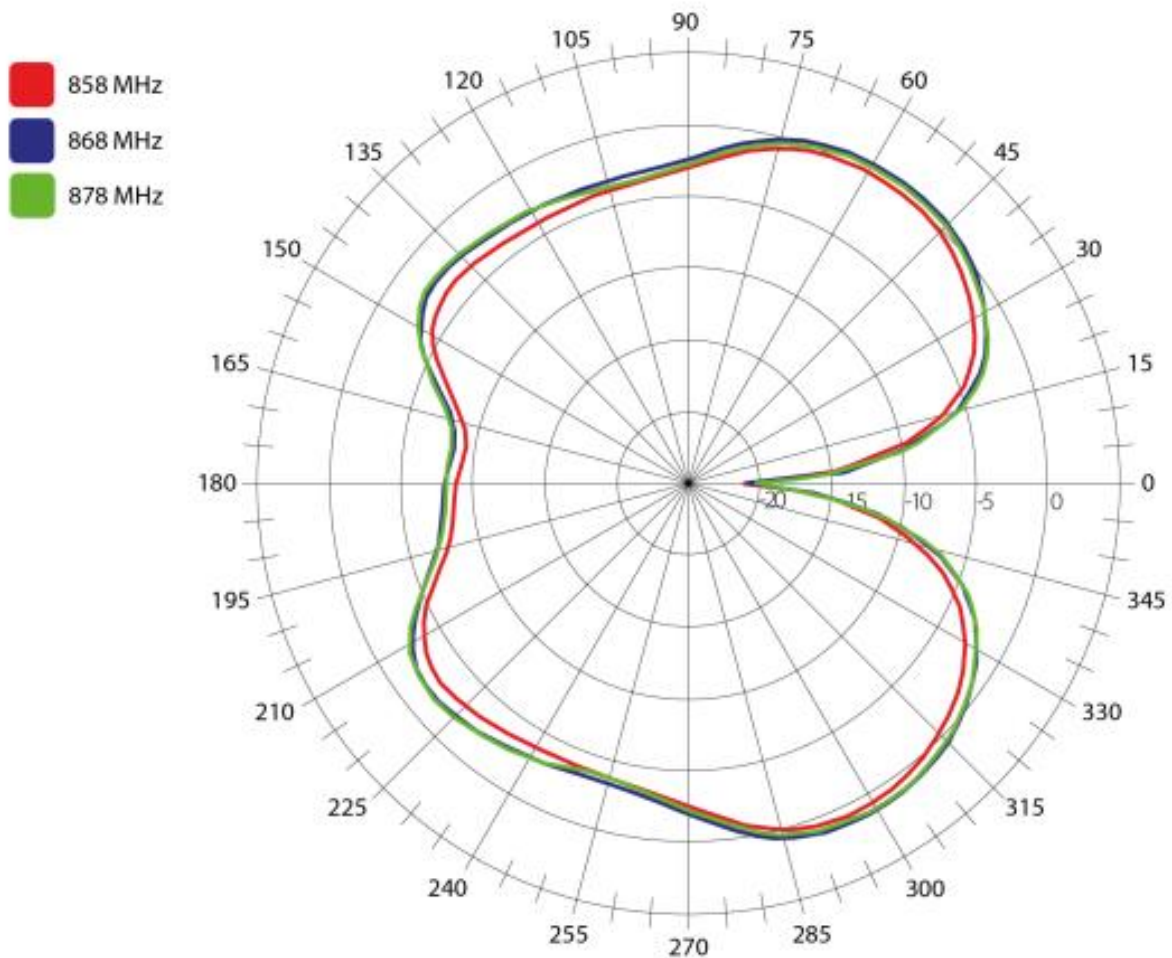
S11 – RETURN LOSS [dB]



S11 - VSWR [-]



RADIATION PATTERN



ALL VARIANTS

Different connector variants or cable lengths are available on request.

CONTACTS

SECTRON s.r.o. Josefa Šavla 1271/12
709 00 Ostrava 9, Czech Republic

WWW.SECTRON.CZ
Tel.: +420 556 621 020