



## ISM ANTENNA

Antenna 868 MHz Stick

90°/180° 402, 2 dBi, SMA(m)

AO-A868-G402S

SECTRON company offers a wide portfolio of ISM antennas with various versions differing in shape, level of gain and manner of attachment. SECTRON guarantees a compatible connection between an antenna and all antenna adaptors produced by SECTRON

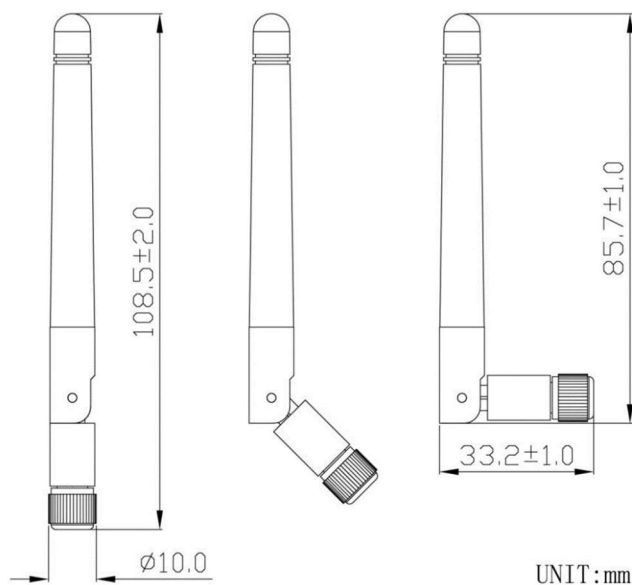


### BENEFITS

- Adjustable angle
- No cable required

Technology	ISM (ZigBee, LoRa)
Frequency bands	868 MHz
Bandwidth	-
Gain	2 dBi
VSWR	<2.5:1
Impedance	50 Ohm
Directivity	Omnidirectional
Beam angle	H 360° V 30°
Polarization	Linear
Maximum input power	10 W
Power voltage	-
Dimensions	108 x 10 / 85.7 x 33.2 x 10 mm
Weight	9.62 g
Operating temperature	-40°C to +85°C
Execution	External
Method of attachment	Screw
Cable type	-
The cable length	-
Connector type	SMA(m)

## DRAWING



## CONTACTS