



5G ANTENNA

Antenna 5G MIMO Screw Mount 605LM4,
3.5 dBi, 4x SMA(m), 4x 3m RG174/U

AO-A5G-G605LM4S

SECTRON company offers portfolio of 5G antennas with various versions differing in shape, level of gain and manner of attachment. SECTRON guarantees a compatible connection between an antenna and all antenna adaptors produced by SECTRON.

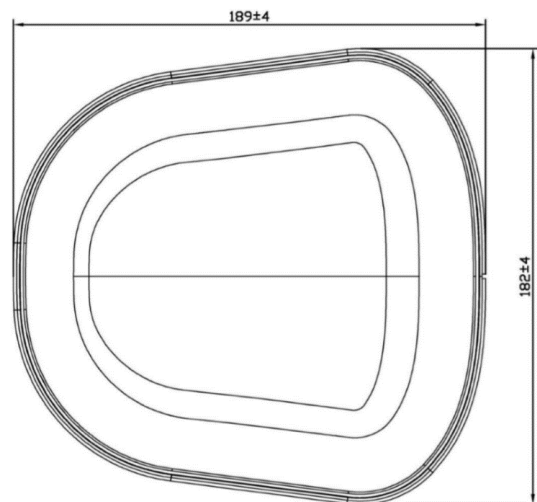
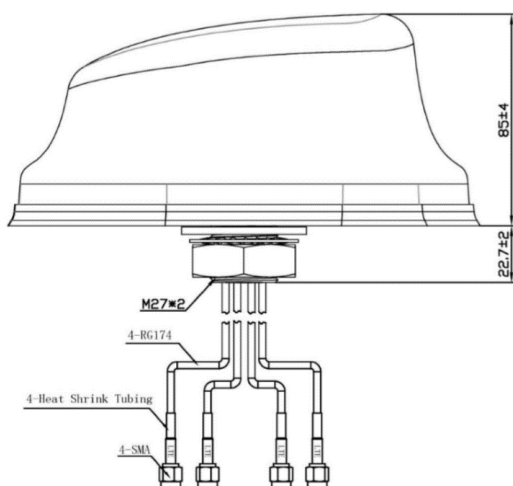


BENEFITS

- IP67
- Anti-vandal design
- 5G Ready
- MIMO

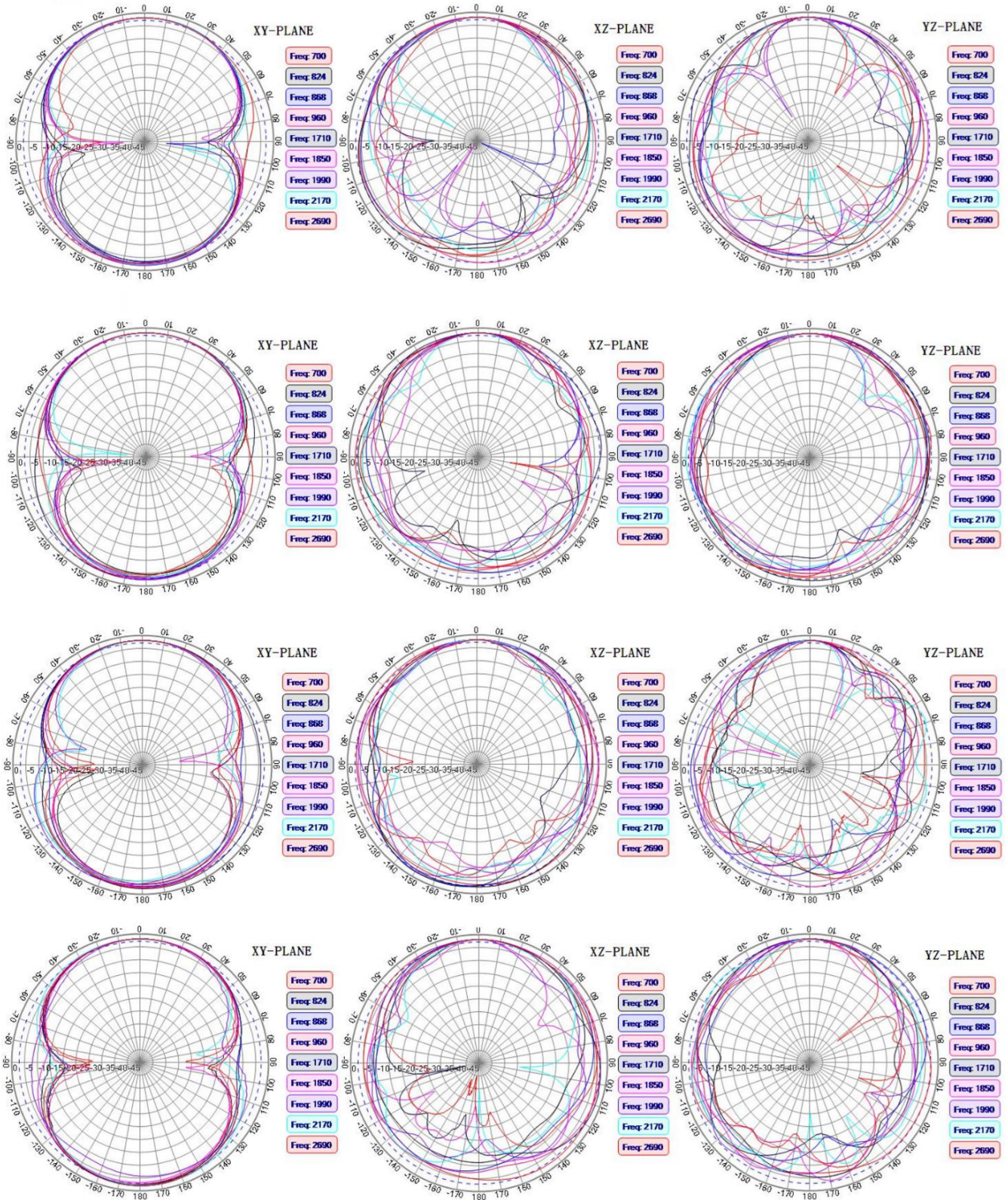
Technology	GSM/UMTS/LTE/5G
Frequency bands	698-960/ 1710-2690 / 2900-3800 MHz
Bandwidth	-
Gain	3.5 dBi
VSWR	<3.0:1
Impedance	50 Ohm
Directivity	Omnidirectional
Beam angle	Attached graphs below
Polarization	Linear
Maximum input power	10 W
Power voltage	-
Dimensions	182 x 189 x 107.7 mm
Weight	765 g
Operating temperature	-40 to +85 °C
Execution	External
Method of attachment	Screw Mount
Cable type	RG174/U
The cable length	3 m
Connector type	4x SMA(m)
IP code	IP67
Certification	RoHS
Material	ABS

DRAWING



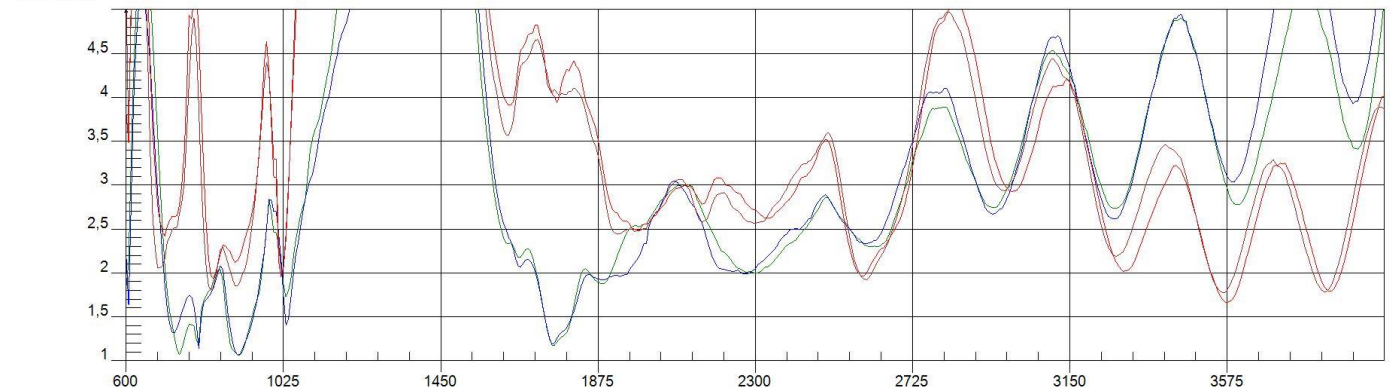
Unit:mm

RADIATION PATTERN



VSWR
AO-A5G-G605LM4S, 20cm RG174

VSWR



AO-A5G-G605LM4S, 5G_1_20
AO-A5G-G605LM4S, 5G_2_20
AO-A5G-G605LM4S, 5G_3_20
AO-A5G-G605LM4S, 5G_4_20

Frequency(600 - 4000 MHz)

MEASURED GRAPHS

AO-A5G-G605LM4S

VARIANTS

Different connector variants or cable lengths are available on request

CONTACTS

SECTRON s.r.o. Josefa Šavla 1271/12
709 00 Ostrava 9, Czech Republic

WWW.SECTRON.CZ
Tel.: +420 556 621 020