



WIFI ANTENNA

Antenna WLAN 2.4-2.5 GHz,
Panel, 8 dBi, N(f)

AO-1SMF-2408

SECTRON company offers wide portfolio of WIFI antennas with various versions differing in shape, level of gain or attachment manner. SECTRON guarantees a compatible connection between antenna and all antenna adaptors produced by SECTRON.

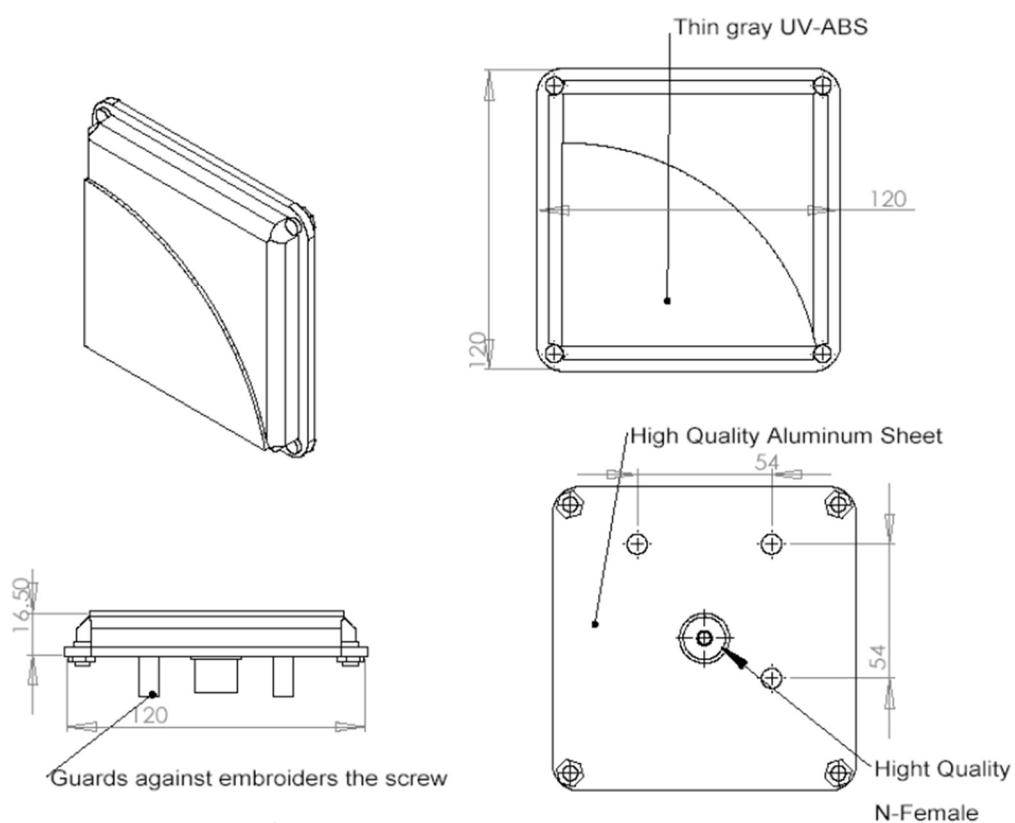


BENEFITS

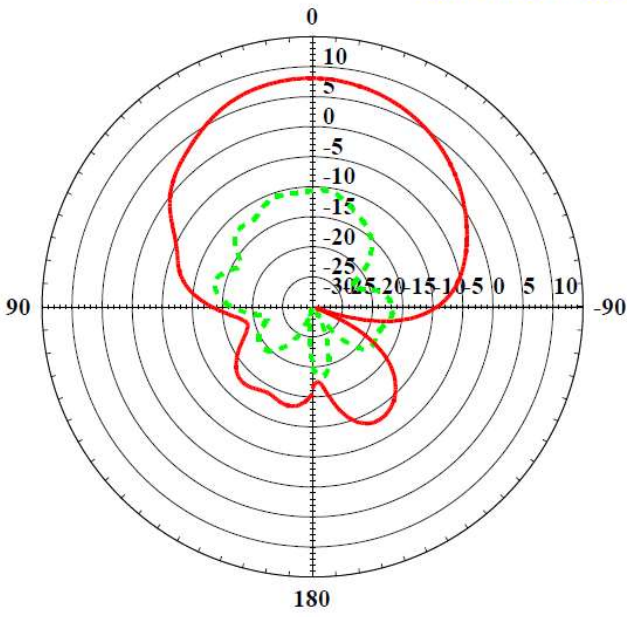
- Low VSWR
- Enviromental resistance
- Compact design

Technology	WiFi
Frequency bands	2.4 GHz
Bandwidth	-
Gain	8 dBi
VSWR	<1.5: 1
Impedance	50 Ohm
Directivity	Directional
Beam angle	H 75° V 65°
Polarization	Linear
Maximum input power	50W
Power voltage	-
Dimensions	120 x 120 x 20 mm
Weight	346.1 g
Operating temperature	-30 to +90 ° C
Execution	External
Method of attachment	Mounting
Cable type	-
The cable length	-
Connector type	N(f)

DRAWING

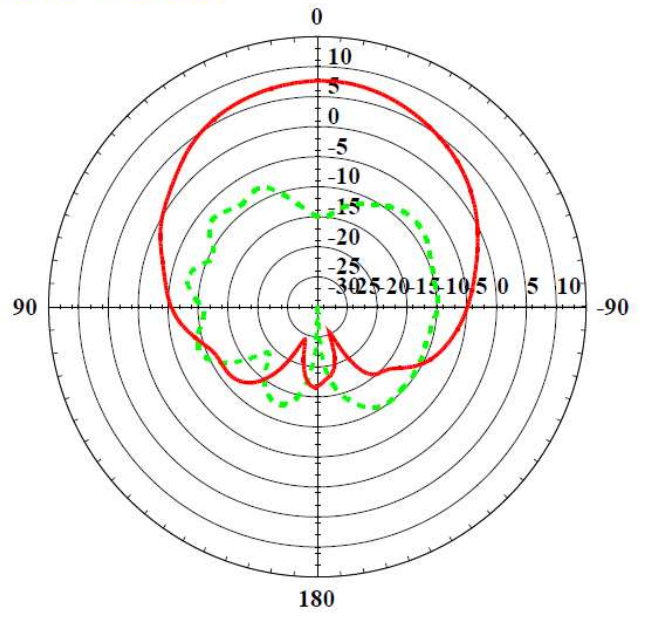


Antenna Vertical & Horizontal Pattern



Vertical

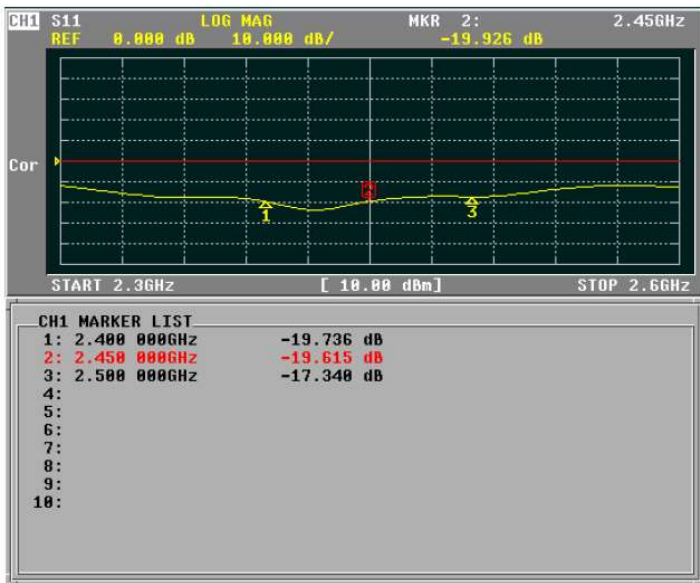
E-plane co-pol ----- 3-dB beam-with=65°



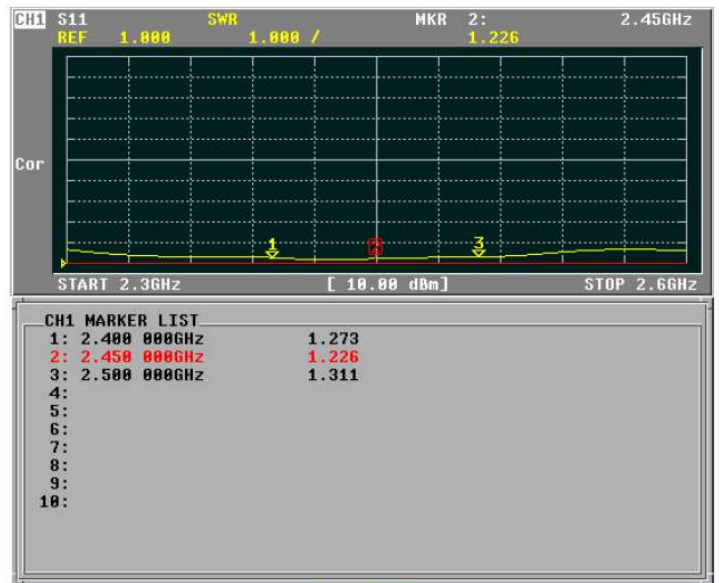
Horizontal

H-plane co-pol ----- 3-dB beam-with=75°

Return loss & V.S.W.R



Return loss



V.S.W.R

CONTACTS