



WIFI ANTENNA

Antenna WLAN 5.1-5.9 GHz,
Panel, 14 dBi, N(f)

AO-1SKF-5914

SECTRON company offers a wide portfolio of WLAN antennas with various versions differing in shape, level of gain and manner of attachment. SECTRON guarantees a compatible connection between an antenna and all antenna adaptors produced by SECTRON.



BENEFITS

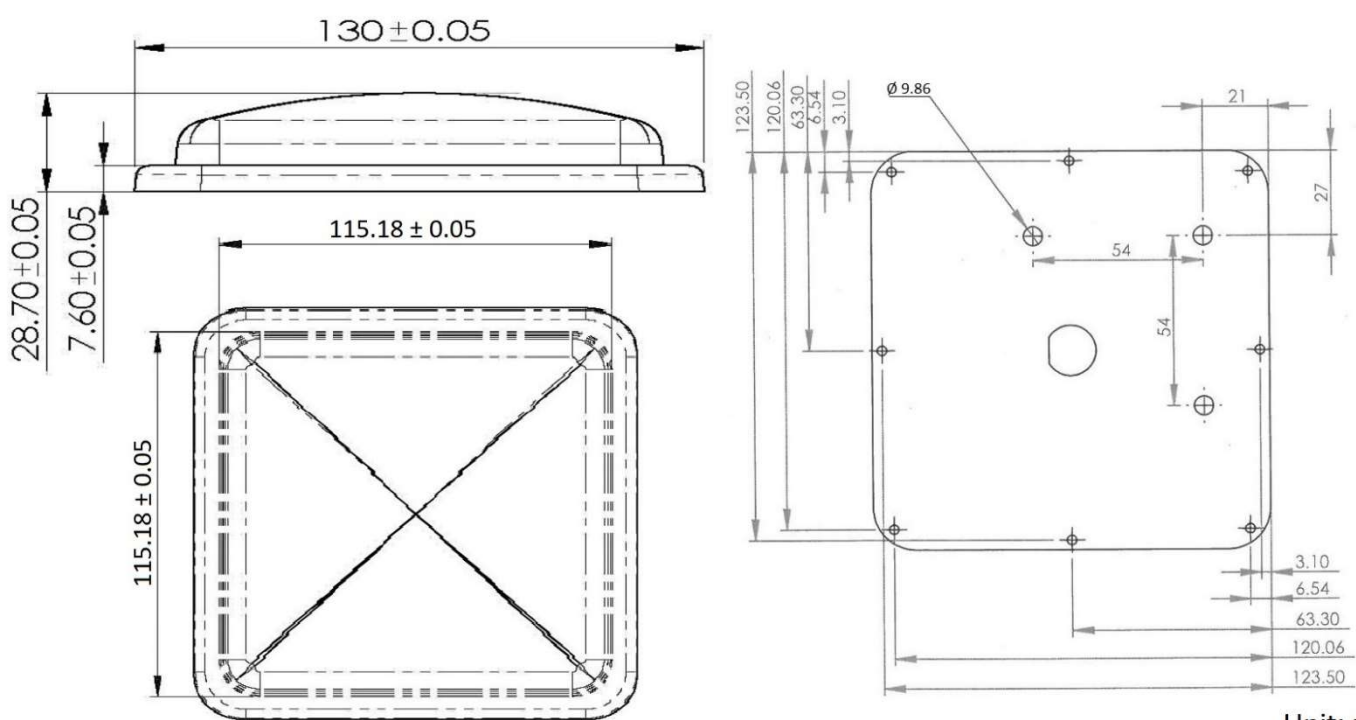
- All weather operation
- Low VSWR
- Compact design

FEATURES

AO-1SKF-5914

Technology	WiFi
Frequency bands	5.1/5.9 GHz
Bandwidth	-
Gain	14 dBi
VSWR	<1.5:1
Impedance	50 Ohm
Directivity	Directional
Beam angle	H 17° V 17°
Polarization	Linear
Maximum input power	10 W
Power voltage	-
Dimensions	130 x 130 x 28.35 mm
Weight	348.83 g
Operating temperature	-40 to +60 °C
Execution	External
Method of attachment	Mounting
Cable type	-
The cable length	-
Connector type	N(f)

DRAWING



Unit: mm

Different connector variants or cable lengths are available on request.

CONTACTS

SECTRON s.r.o. Josefa Šavla 1271/12
709 00 Ostrava 9, Czech Republic

WWW.SECTRON.CZ
Tel.: +420 556 621 021