



WIFI ANTENNA

Antenna WLAN OMNI 5 GHz,
15 dBi, N(f)

AO-1GF-51815

SECTRON company offers wide portfolio of UMTS antennas with various versions differing in shape, level of gain or attachment manner. SECTRON guarantees a compatible connection between antenna and all antenna adaptors produced by SECTRON.

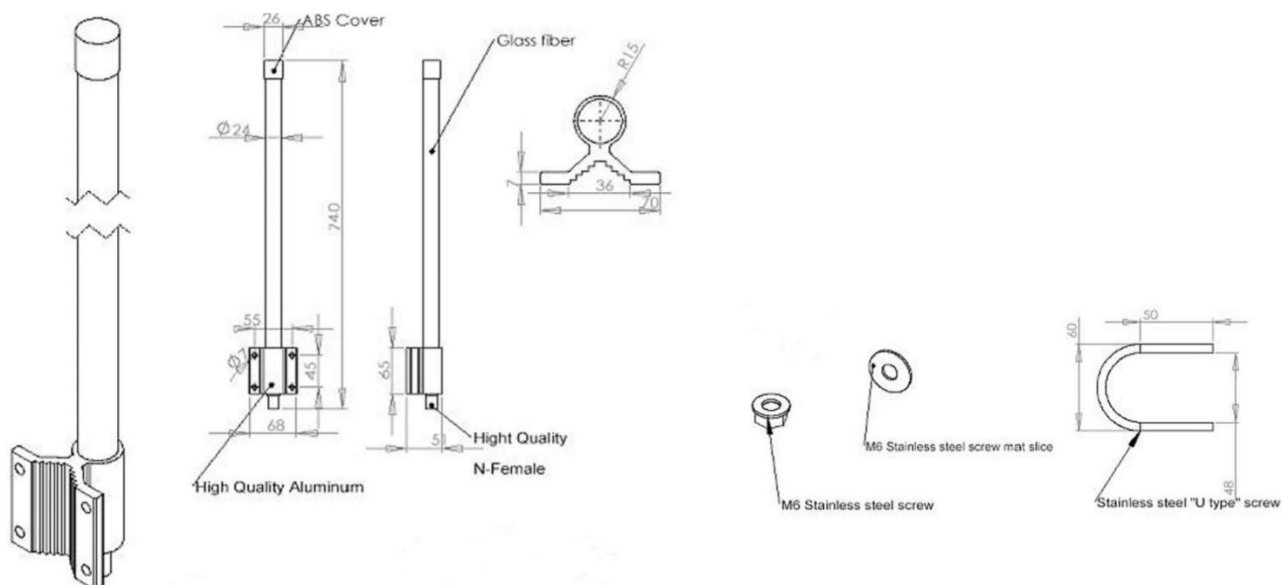
BENEFITS

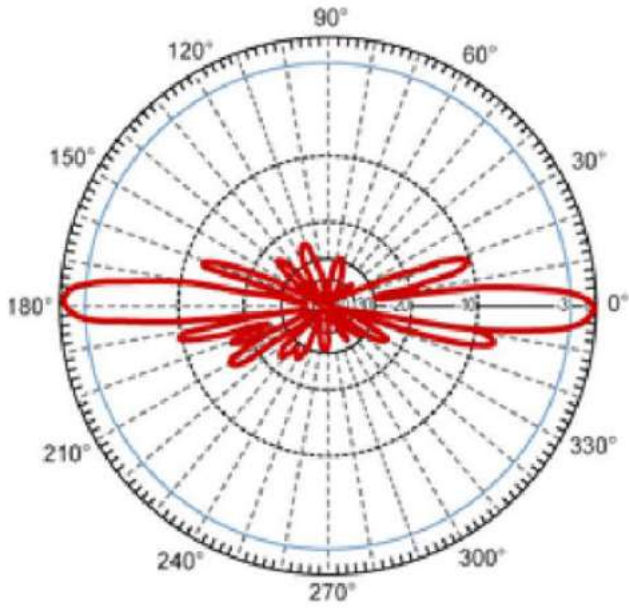
- Low VSWR
- High gain
- Environmental resistance



Technology	WiFi
Frequency bands	5 GHz
Bandwidth	-
Gain	15 dBi
VSWR	<1.5:1
Impedance	50 Ohm
Directivity	Omnidirectional
Beam angle	H 360° V 7°
Polarization	Linear
Maximum input power	50W
Power voltage	-
Dimensions	26 x 740 mm
Weight	476.79 g
Operating temperature	-20 to +80 ° C
Execution	External
Method of attachment	Mounting
Cable type	-
The cable length	-
Connector type	N(f)

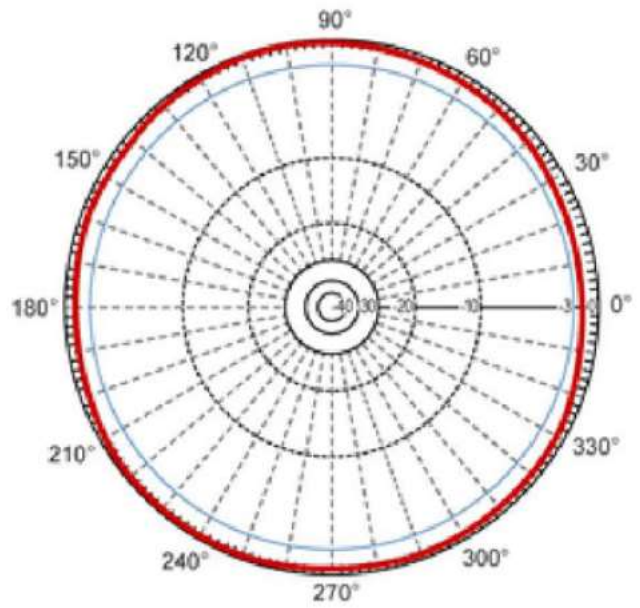
DRAWING





Vertical

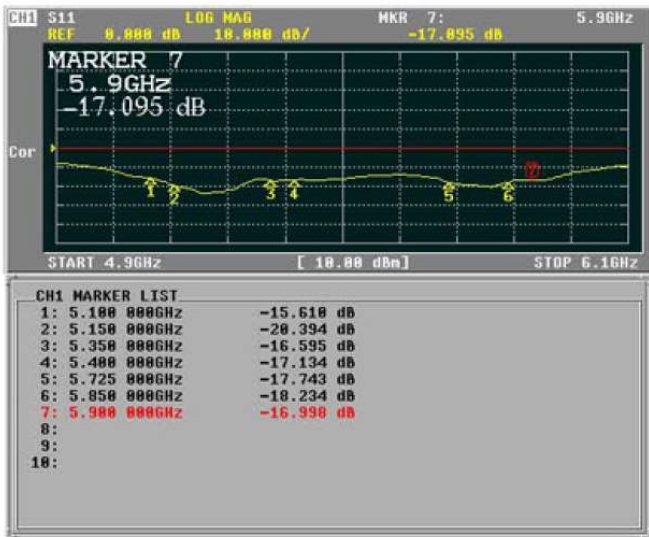
E-plane co-pol ---3-dB beam-with=7 Deg



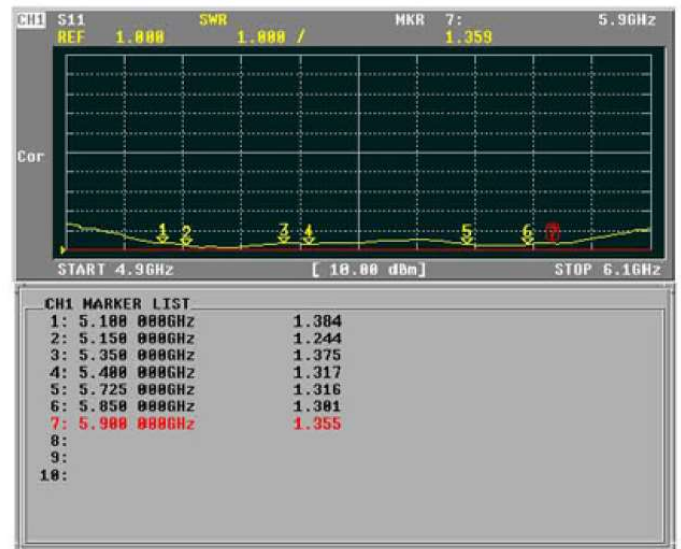
Horizontal

H-plane co-pol --- 3-dB beam-with=360 Deg

Return loss & V.S.W.R



Return loss



V.S.W.R

CONTACTS