



WLAN ANTENNA

Antenna WLAN OMNI

5.1-5.9 GHz, 10 dBi, N(f)

AO-1GF-515910

SECTRON company offers a wide portfolio of WLAN antennas with various versions differing in shape, level of gain and manner of attachment. SECTRON guarantees a compatible connection between an antenna and all antenna adaptors produced by SECTRON.

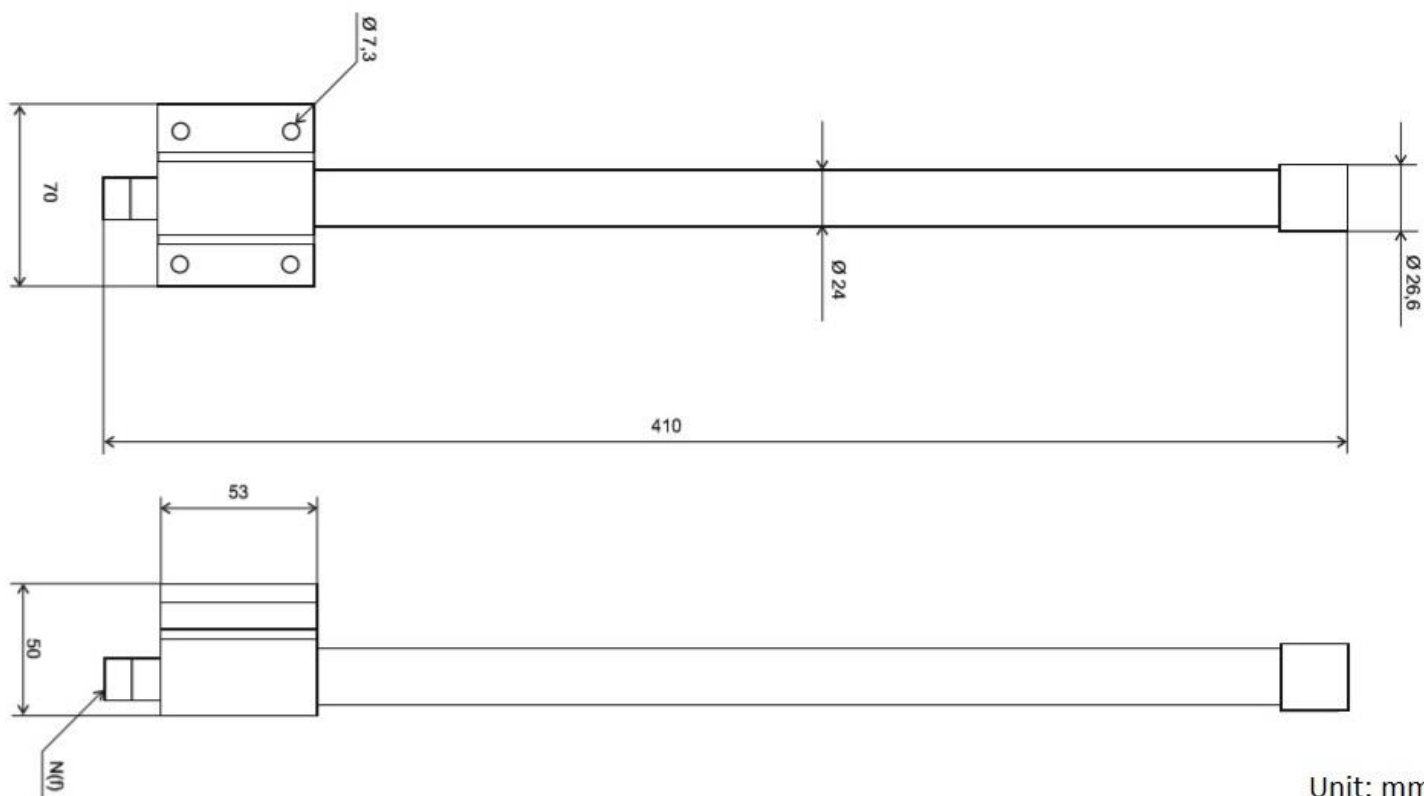


BENEFITS

- Low VSWR
- Environmental resistance
- High gain

Technology	WLAN
Frequency bands	5100/5900 MHz
Bandwidth	-
Gain	10 dBi
VSWR	<1.5:1
Impedance	50 Ohm
Directivity	Omnidirectional
Beam angle	H 360° V 11°
Polarization	Linear
Maximum input power	100 W
Power voltage	-
Dimensions	410 x 70 mm
Weight	405.08 g
Operating temperature	-40 to +60 °C
Execution	External
Method of attachment	Mounting
Cable type	-
The cable length	-
Connector type	N(f)

DRAWING



Unit: mm

Different connector variants or cable lengths are available on request.