



## WIFI ANTENNA

Antenna WiFi OMNI 2408,  
2.4 GHz, 8 dBi, N(f)

AO-1GF-2408

SECTRON company offers a wide portfolio of WiFi antennas with various versions differing in shape, level of gain and manner of attachment. SECTRON guarantees a compatible connection between an antenna and all antenna adaptor produced by SECTRON.

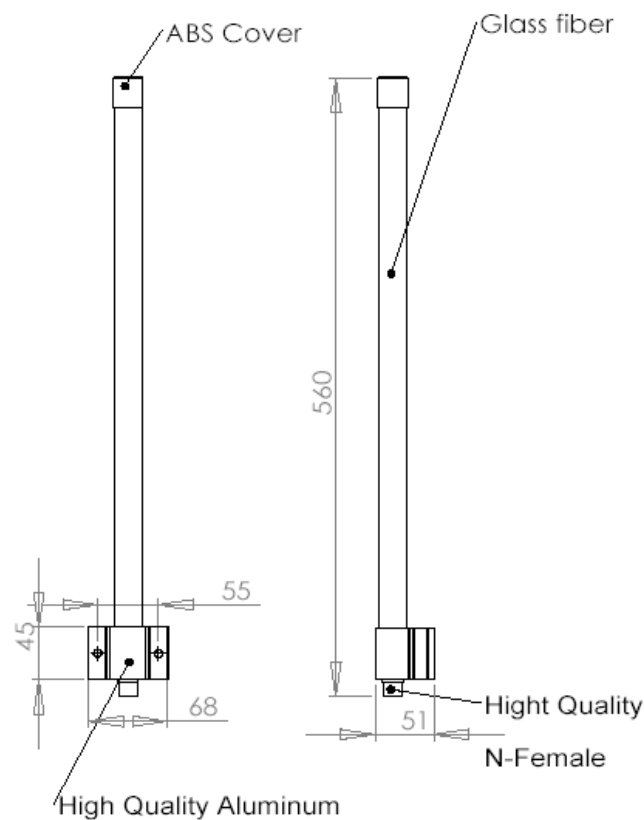
### BENEFITS

- Low VSWR
- High gain
- Environmental resistance

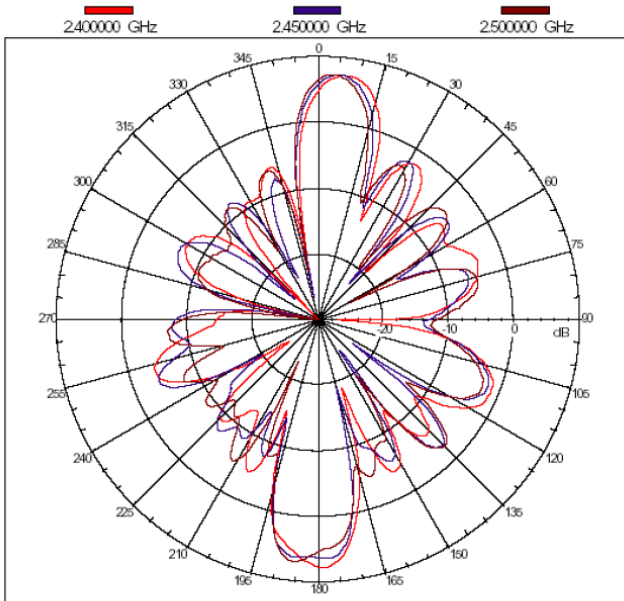


Technology	WiFi
Frequency bands	2.4 GHz
Bandwidth	-
Gain	8 dBi
VSWR	<1.3:1
Impedance	50 Ohm
Directivity	Omnidirectional
Beam angle	H-360° V-10°
Polarization	Linear
Maximum input power	50 W
Power voltage	-
Dimensions	560 x 68 mm
Weight	356.62 g
Operating temperature	-40 to +80 °C
Execution	External
Method of attachment	Mounting
Cable type	-
The cable length	-
Connector type	N(f)

DRAWING

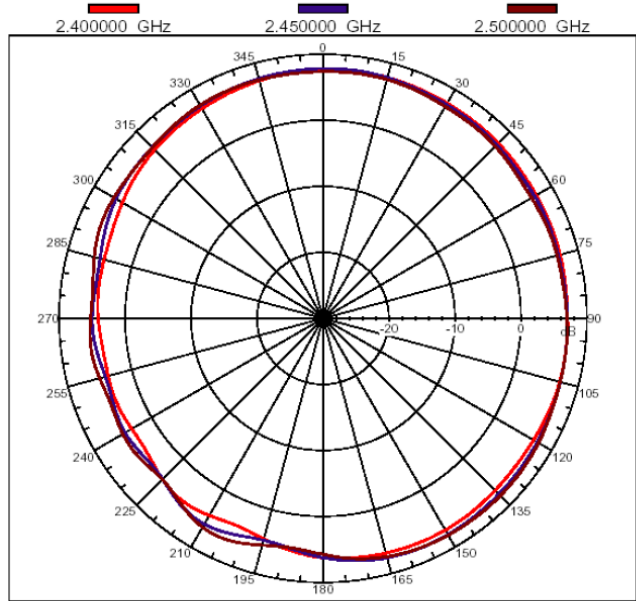


### Antenna Vertical & Horizontal Pattern



Vertical

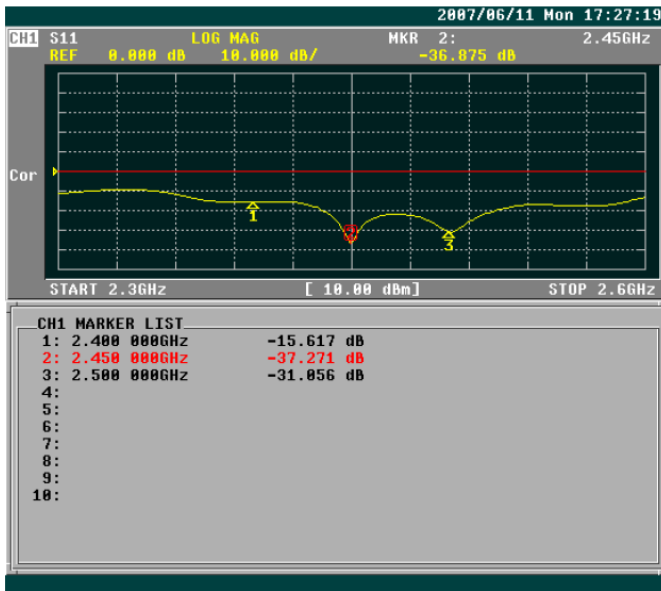
E-plane co-pol ----- 3-dB beam-with=1°



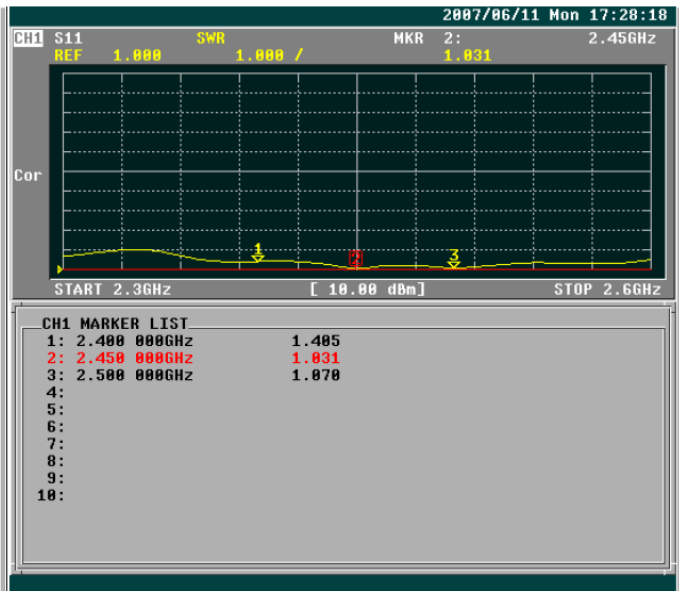
Horizontal

H-plane co-pol ----- 3-dB beam-with=360°

### Return loss & V.S.W.R



Return loss



V.S.W.R

### CONTACTS