

U.FL(f) to SMA(f), LP-088, 10 cm AM-88-US10



SECTRON company offers a wide portfolio of high-quality handmade cable adaptors in various versions for M2M applications.

SECTRON product portfolio includes brand connectors and coaxial cables in diameters from 0.8 mm to 10 mm suitable for frequencies up to 6 GHz. Using the latest technologies and our experience in the field, we will manufacture and test each RF cable adaptor exactly for your device.

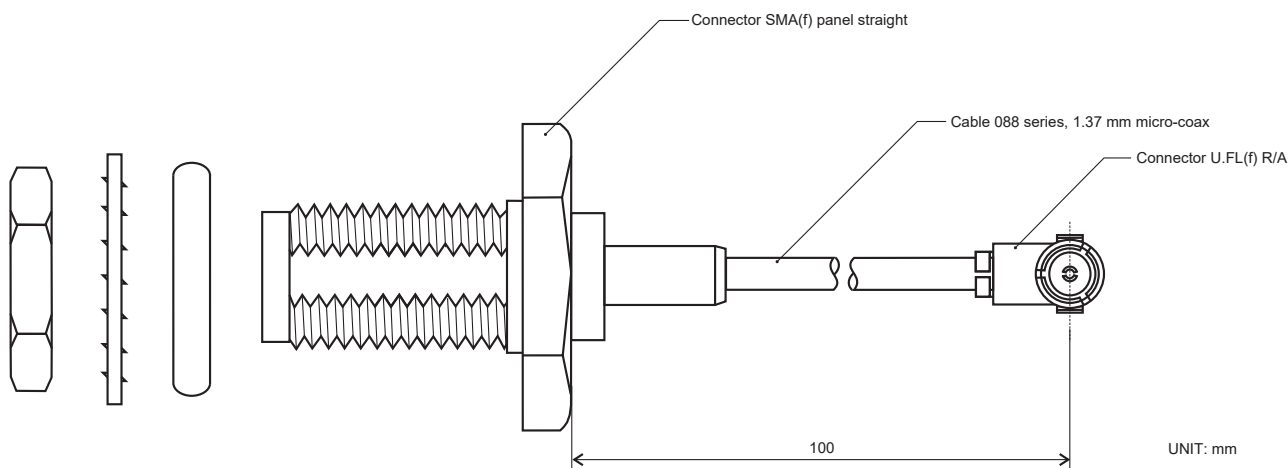
BENEFITS

- High reliability thanks to precise design
- Low Insertion loss
- Low VSWR

FEATURES

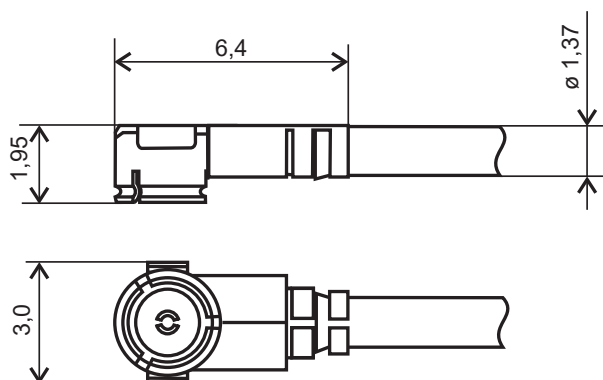
Frequency range	Up to 6 GHz
Impedance	50 ± 2 Ohm
Maximum VSWR (3 GHz)	< 1.2:1
Voltage power	30 V
Maximum operating voltage	200 V AC/1 min
Maximum Insertion Loss (3 GHz)	-0.38 dB
Average Insertion Loss	-0.28 dB
Cable type	Cable 088 series, Diameter 1.37 mm micro coax
Cable length	0.1 m
Connector type A	SMA(f) panel straight IP67
Connector type B	U.FL(f)
Operating temperature	-40 °C to +90 °C
Weight	4.29 g
Certification	RoHS

DRAWING - ADAPTOR



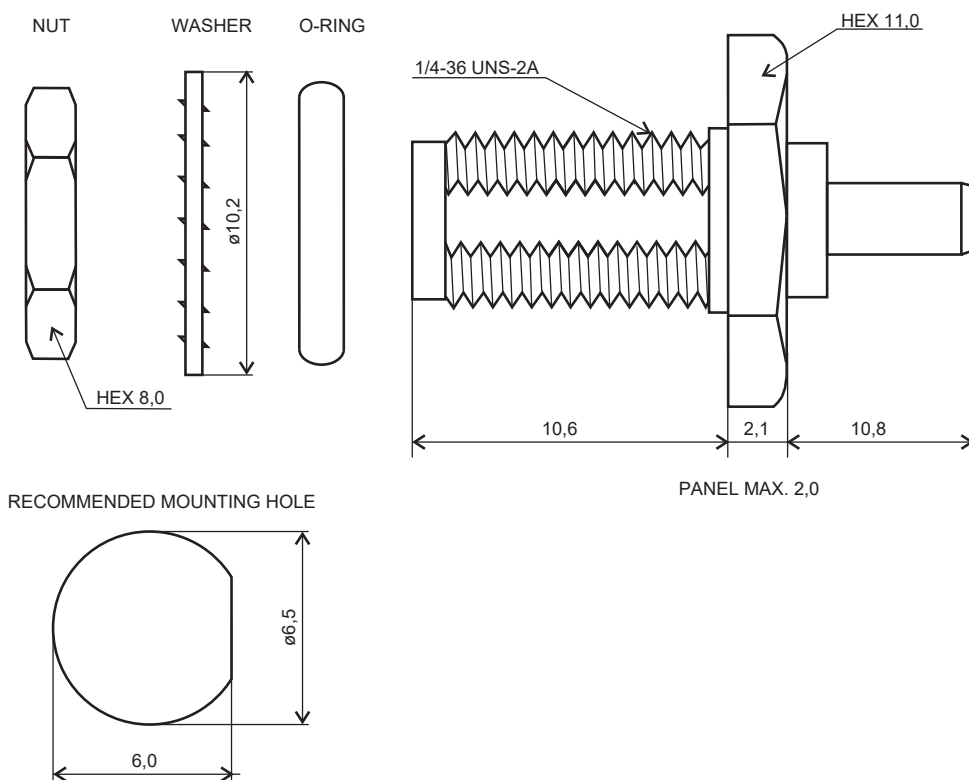
CONNECTORS PARAMETERS

U.FL-LP-088 connector



UNIT: mm

AO-SMA-KFP-3 connector



UNIT: mm

U.FL connector material	
Shell	PH Bronze, Silver plated
Female Center Contact	PH Bronze, Gold plated
Insulator Plug	Polybutylene terephthalate (PBT)
Insulator Receptacle	Liquid Crystal Polymer (LCP)
Mating Cycles	30 cycles

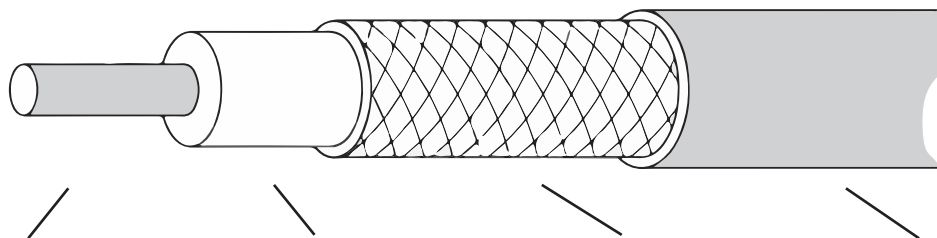
SMA connector material	
Body	Brass, Gold plated
Contact	Beryllium copper
Lock Washer	Brass, Gold plated
Nut	Brass, Gold plated
Insulator	Teflon
Ferrule	Brass, Gold plated
Gasket	Red Silicone Rubber
Mating Cycles	500 cycles

CZ: +420 556 621 030
INT: +420 556 621 020

CZ: obchod@sectron.cz
INT: sales@sectron.cz

SECTRON s.r.o.
Josefa Šavla 12, 709 00 Ostrava, Czech Republic

CABLE PARAMETERS

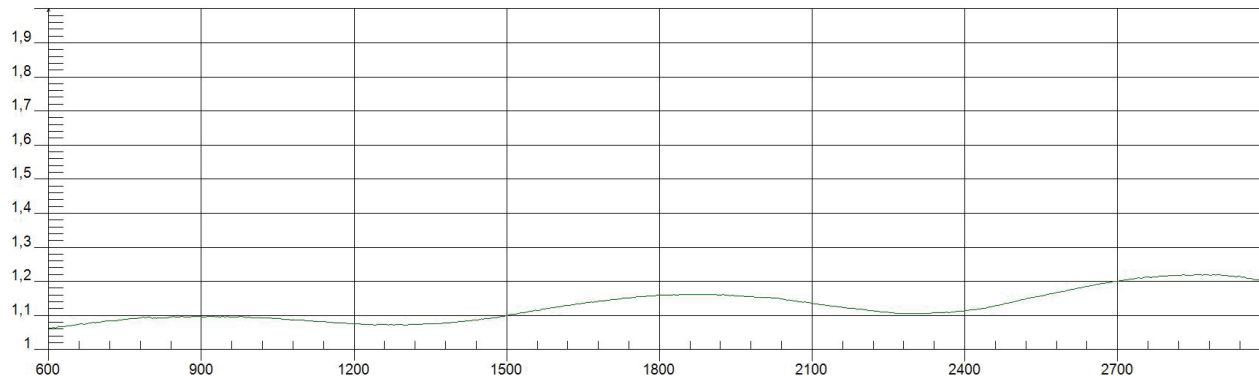


Inner Conductor	Insulation	Braid shield	Jacket
Material: Silver-plated Cu wire	Material: FEP	Material: Tinned Cu wire	Material: FEP
Stranding: 7×0.102 mm		Type braid: 16×0.05 mm	
Outer diameter: 0.31 mm	Outer diameter: 0.9±0.03 mm	Outer diameter: 1.13±0.05 mm	Outer diameter: 1.37±0.1 mm

ADAPTOR MEASUREMENT

GRAPH VSWR - VOLTAGE STANDING WAVE RATIO [-]

VSWR



GRAPH S12 - INSERTION LOSS [dB]

dB

